

Assembly Instructions

Circe Board










resource

WARNING

READ CAREFULLY BEFORE BEGINNING INSTALLATION.

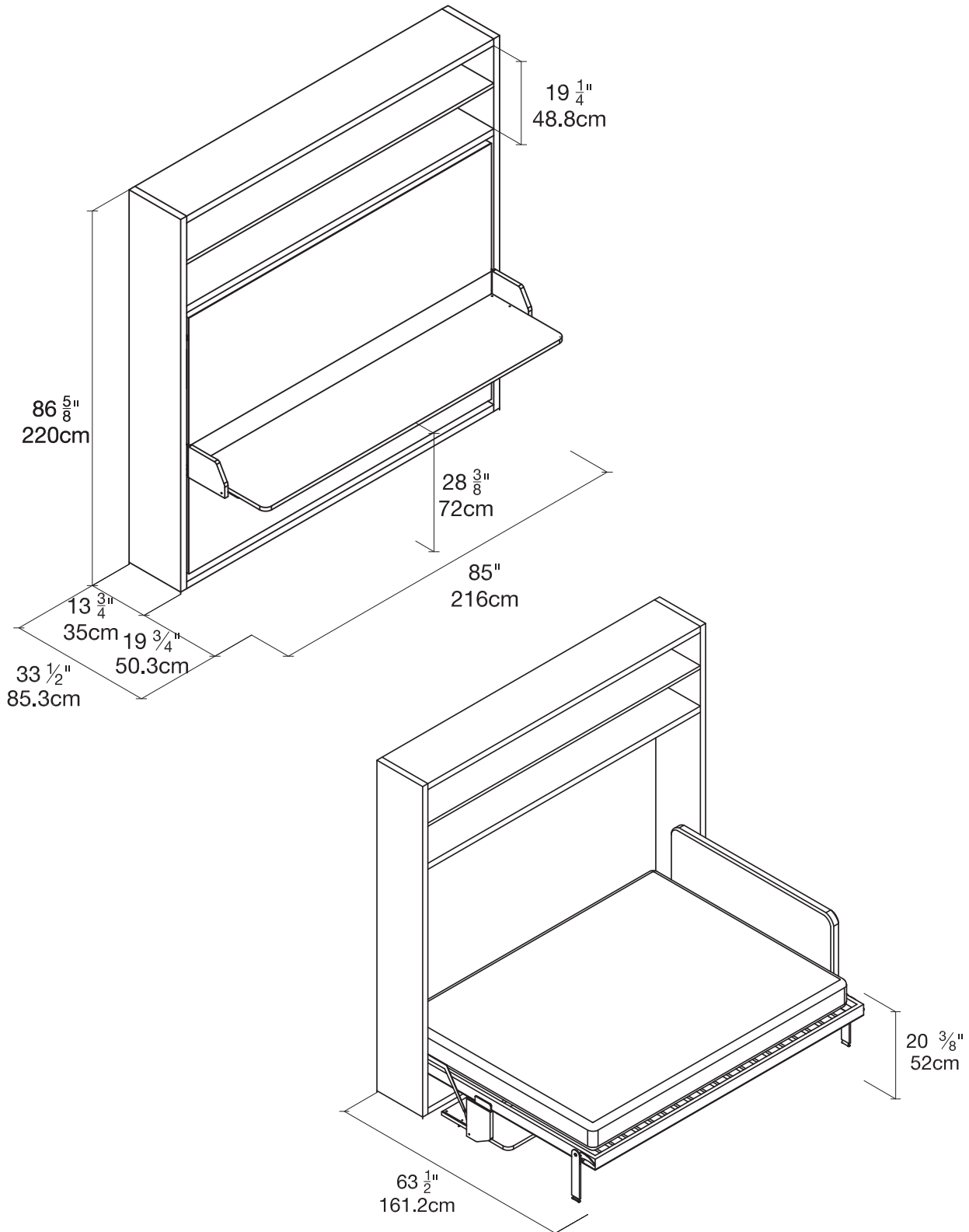
IMPROPER INSTALLATION OF THE PRODUCT MAY CAUSE SERIOUS INJURY

-  Installation must be performed by a licensed contractor or a trained professional, who will ensure proper assembly and installation.
-  Installation must be performed by at least 2 people.
-  Improper installation of this product can cause serious or fatal injury.
-  Improper installation may result in permanent damage to the bed.
-  The wall bed must be secured to the wall in four locations using appropriate hardware. The contractor or installer must select the proper anchoring hardware.
 - The wall anchors included are for solid concrete walls only.
 - Walls with wooden studs: Wood screws must be screwed into wooden studs in the wall.
 - Any other wall composition: A proper wall anchor suitable for the wall's construction must be selected by the contractor or installer.
-  No anchor can be used twice. If the product is removed from the wall, new anchor holes must be drilled and new hardware must be used.
-  All hardware must be properly tightened. No parts of the model should be left loose or unstable.

Warranties for all products purchased from Resource Furniture, LLC are only valid if the product has been properly assembled, installed by a trained professional, and operated in accordance with the assembly instructions.

Resource Furniture accepts no responsibility for any damage or injury caused by improper installation.

CIRCE BOARD OVERVIEW



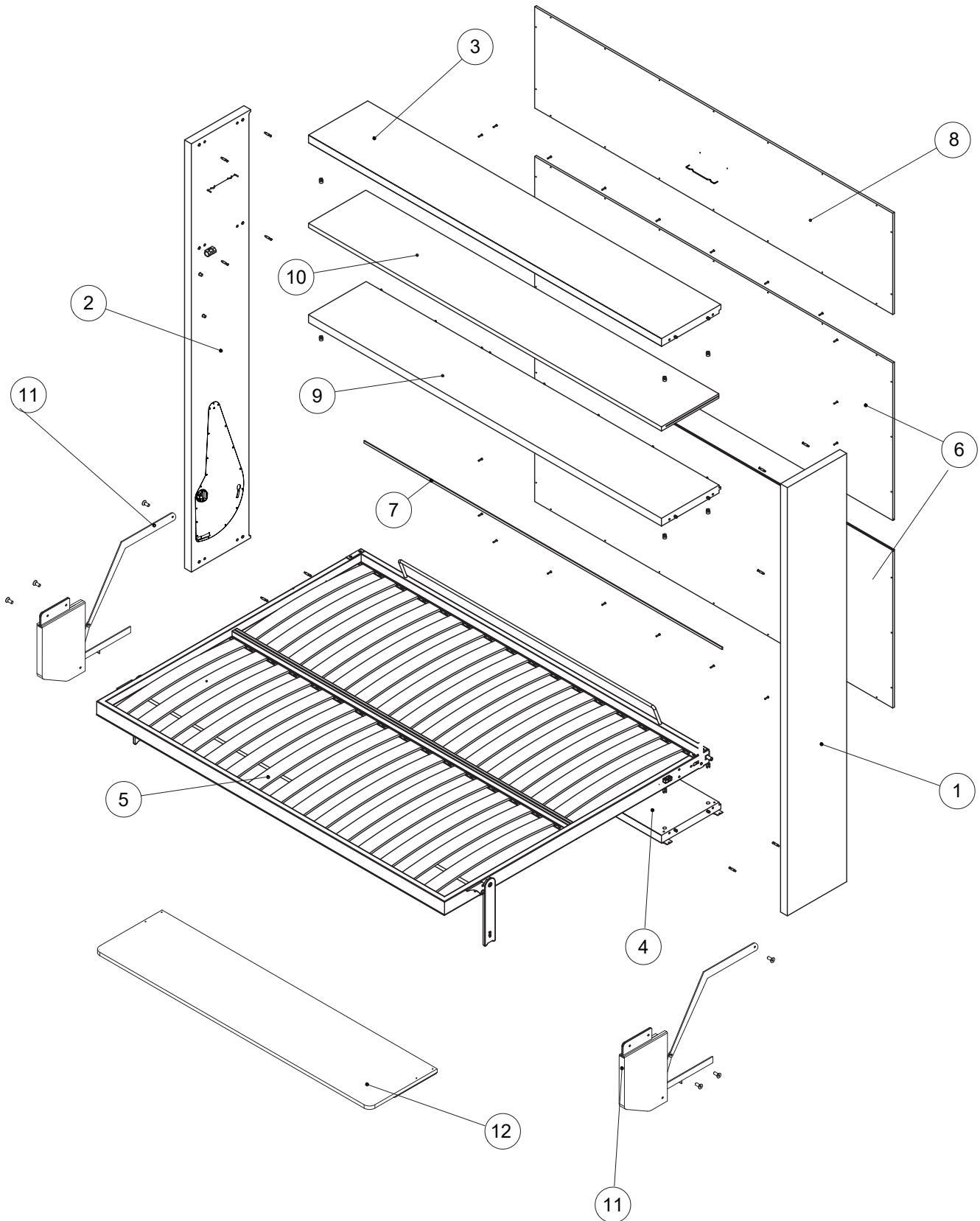
CIRCE BOARD MATTRESS SPECIFICATIONS

Recommended weight: ~ 66 lbs

Recommended dimensions: $78 \frac{3}{4}'' \times 59'' \times 7''$

Recommended dimensions with headboard: $75'' \times 59'' \times 7''$

CIRCE BOARD OVERVIEW



CIRCE BOARD OVERVIEW

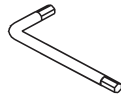
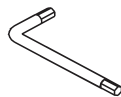
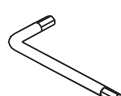


Note: bed base cannot be disassembled

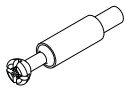
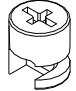











CIRCE BOARD COMPONENTS

CODE	QTY.	COMPONENTS
1	1	Right side panel
2	1	Left side panel
3	1	Top horizontal panel
4	1	Bottom horizontal panel
5	1	Bed base
6	2	Lower back panels
7	1	Spline to join lower back panels
8	1	Top back panel
9	1	Structural shelf
10	1	Shelf
11	2	Desk brackets
12	1	Desk
13	1	Mattress support bar

CIRCE BOARD TOOLS

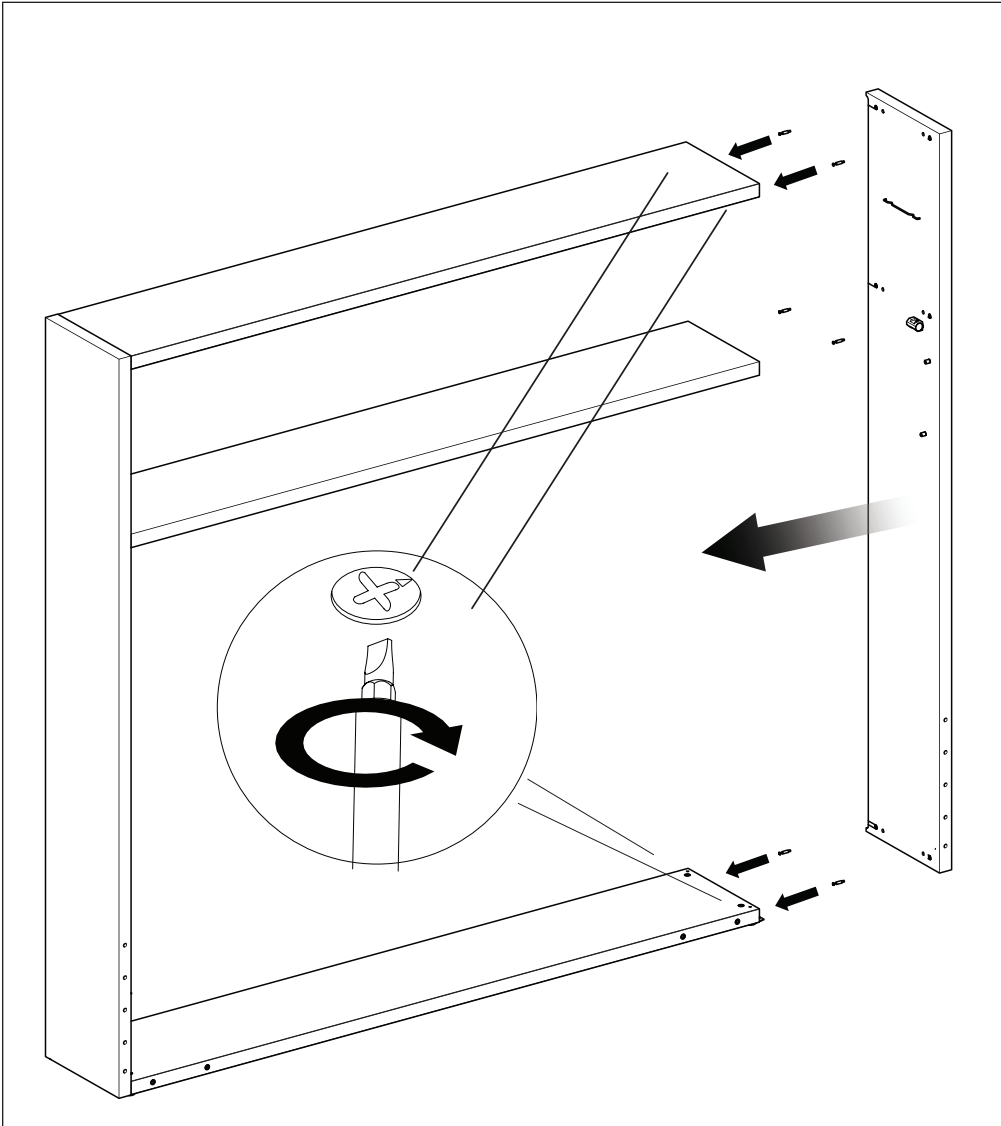
QTY.	DESCRIPTION	
1	Allen wrench 3 MM	
1	Allen wrench 5 MM	
1	Allen wrench 6 MM	

CIRCE BOARD STRUCTURAL HARDWARE

CODE	QTY.	COMPONENT	DESCRIPTION	
A	12	7 x 36 6MA	Pins	
B	12	D15 L17	Cam Connectors	
C	44	3.5 x 20	Wood screws for attaching back panels to structure	
D	4	M8x30MM	Machine bolts for attaching bed base to structure	
E	2	5MA x 20 TPSE	Machine bolts to attach mattress bar to bed base	
F	4	8mm x 20mm	Flanged screws - for attaching desk to desk mechanism	
G	2	D22 H7	Conical Washers - for attaching desk mechanism to side panels	
H	2	8mm x 20mm	Flanged screws - for attaching desk mechanism to vertical side panels	
I	4	6mm x 30mm	Bolt - for attaching desk	
J	4	6MA	Nut - for attaching desk	
K	2	4mm x 20mm	Screw - for attaching desk	
L	3		Shelf support	
M	4	8mm x 20mm	Flanged screws - for attaching desk mechanism to bed base	

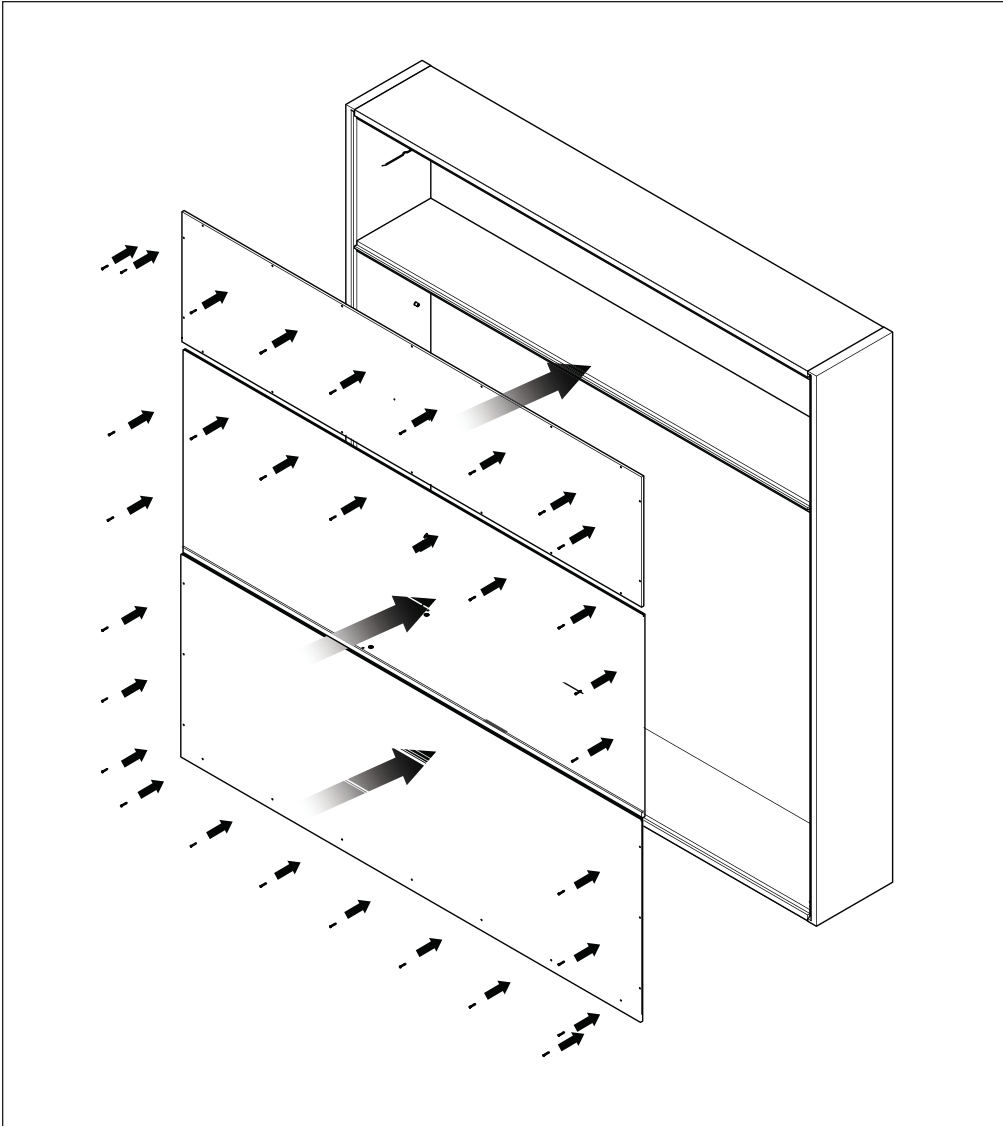
STRUCTURE ASSEMBLY

- 1 Screw 6 (A) pins into both the (1) right vertical and (2) left vertical panels. Attach the (3) horizontal bottom panel ; (4) horizontal top panel and (14) structural shelf to the vertical panels by inserting and tightening 12 (B) cams.



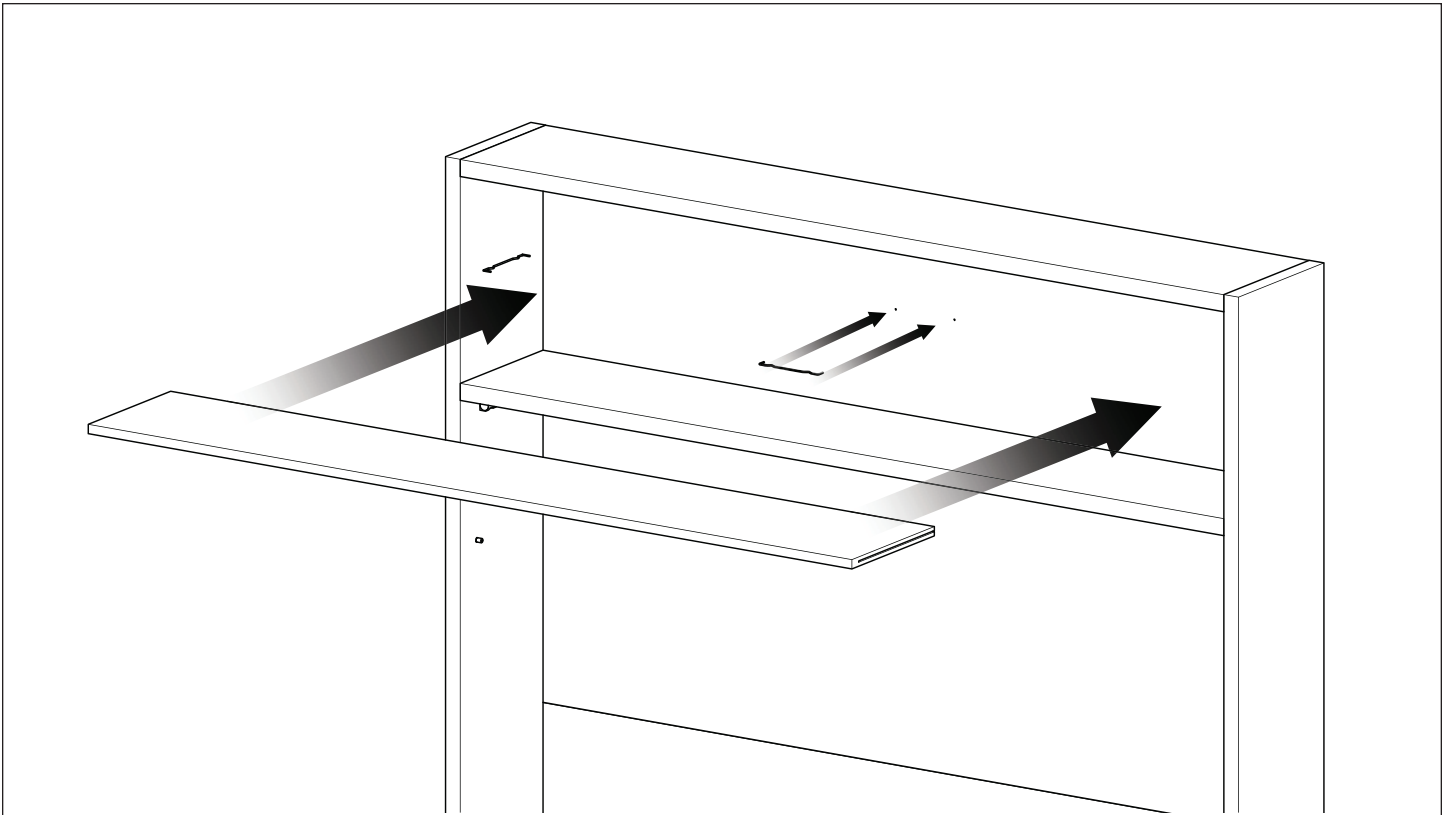
STRUCTURE ASSEMBLY

- 2** Attach the (7) lower back panels to the structure using 14 (C) wood screws. Insert (8) back panel spline into lower back panel. Then place the (7) upper back panel on top of the spline, fastening it to the structure using 14 (C) wood screws. Attach the (9) top back panel to the structure using (C) wood screws.



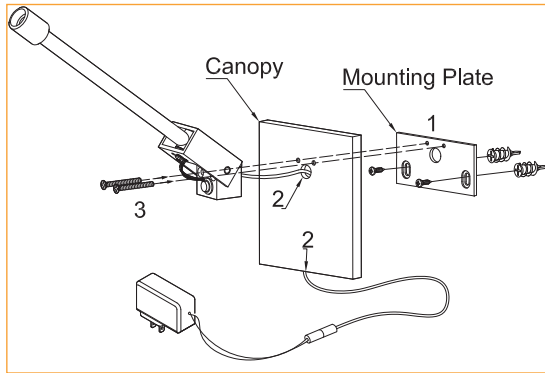
STRUCTURE ASSEMBLY

3 Insert the (10) shelf using the (L) shelf support.

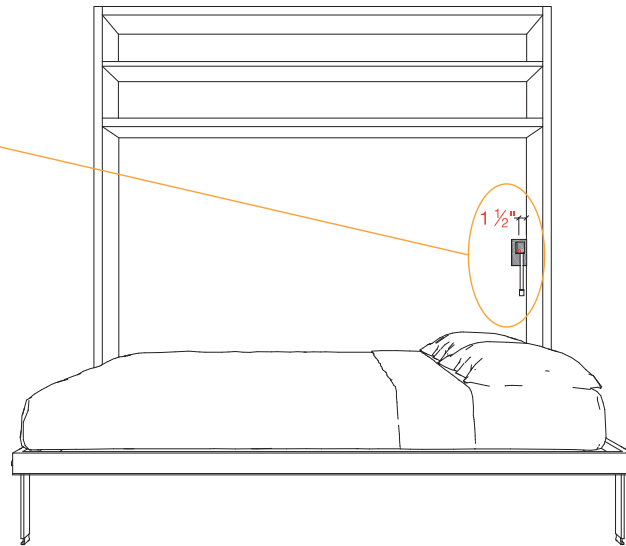


OPTIONAL WAND LIGHTING

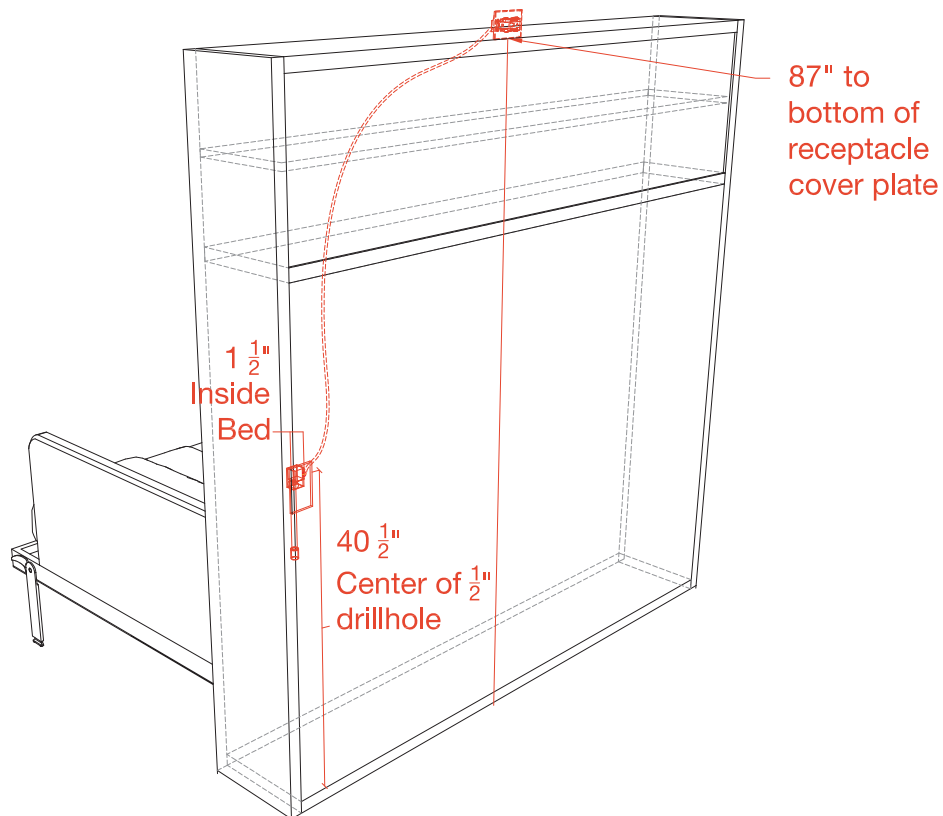
- 4** Drill $1/2''$ hole at $40\ 1/2''$ measured from the bottom of the structure (from inside) and $1\ 1/2''$ in from the side. Install mounting Plate with provided wood screws, aligning the $1/2''$ drill holes.



Wand Light Exploded Diagram
Cord Length = 118"



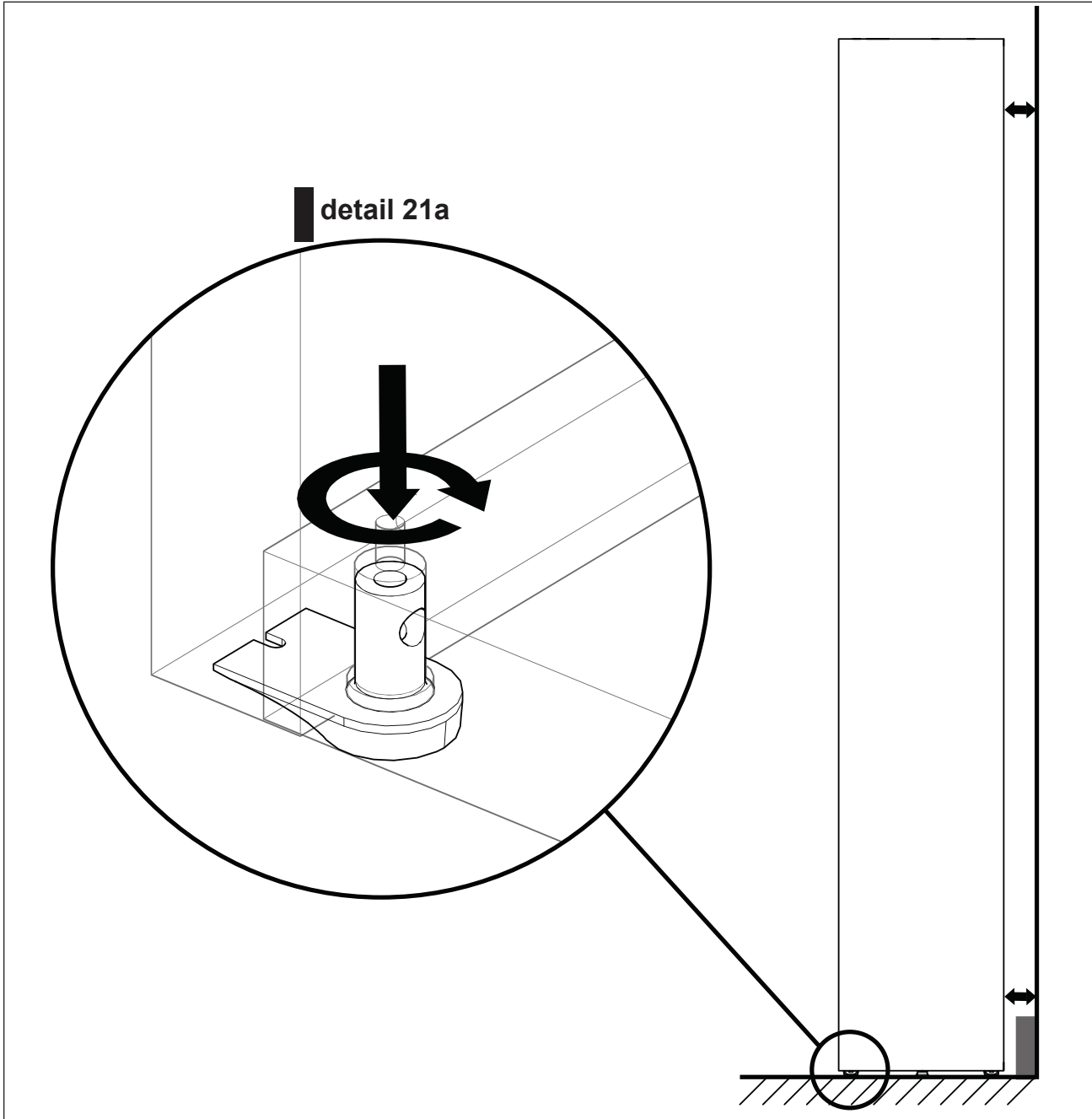
Front



Back

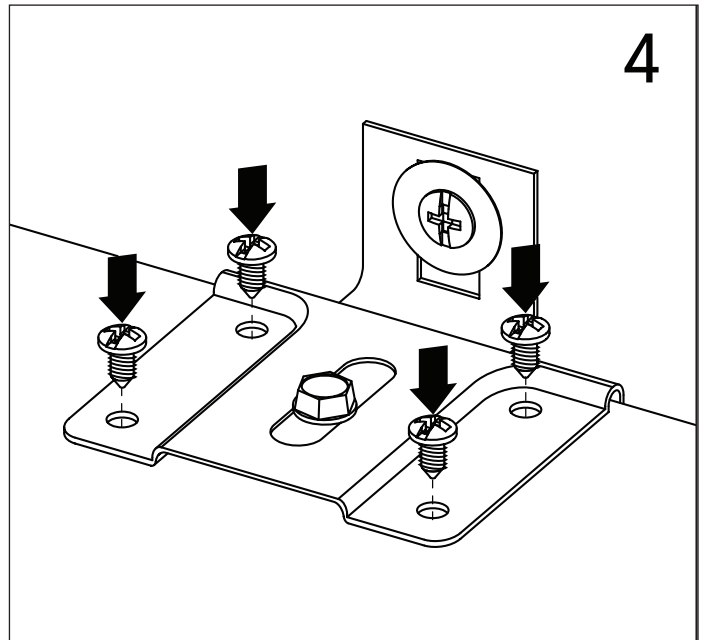
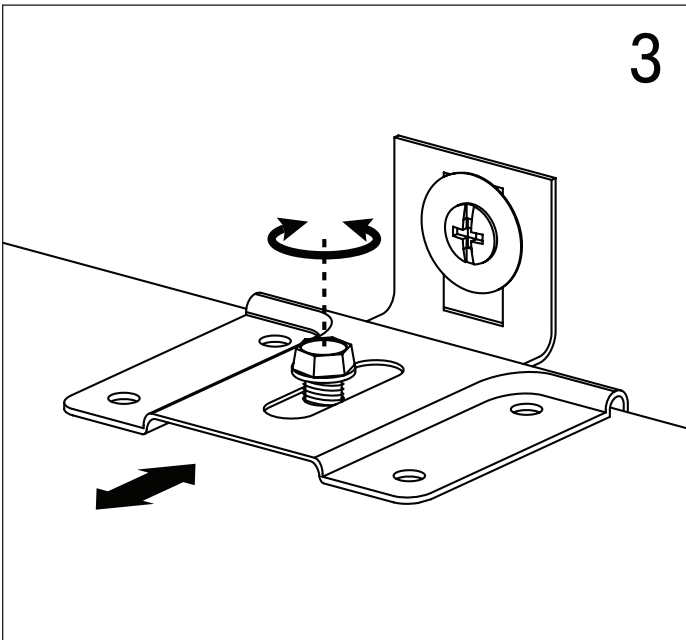
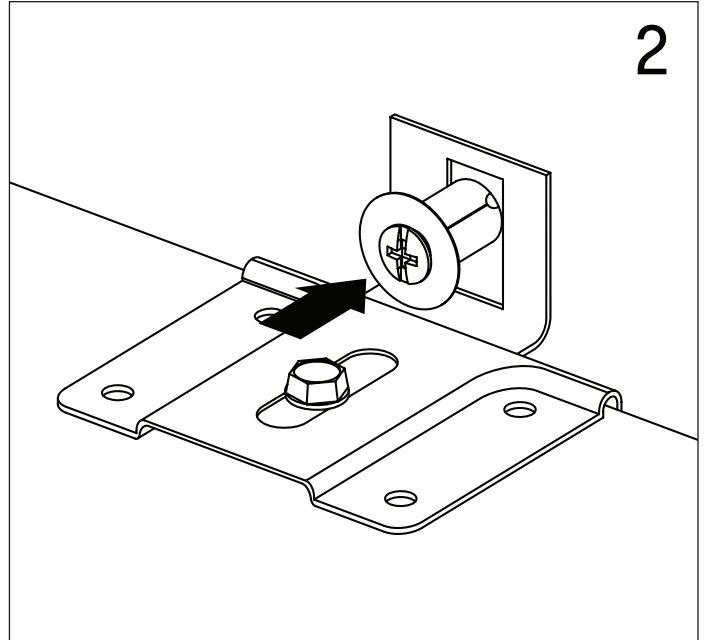
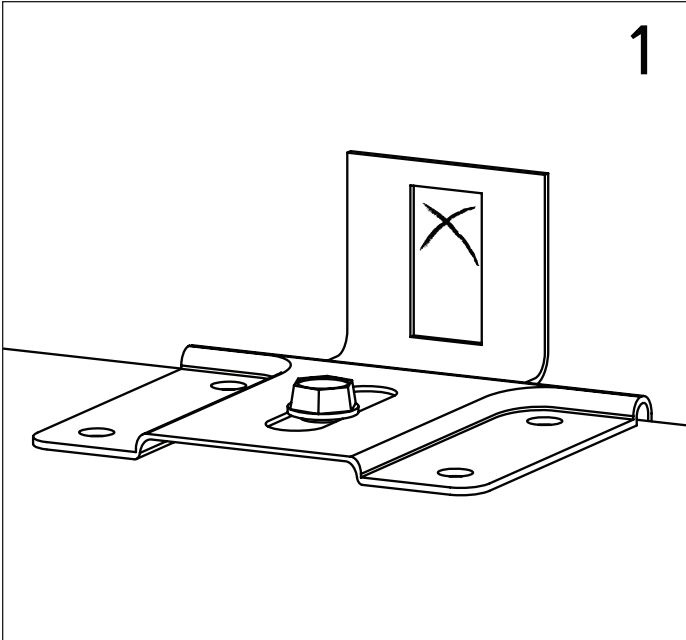
LEVELING THE STRUCTURE

- 5 Ensure that the structure is level and plumb. To compensate for any floor unevenness, use the adjustable feet on the bottom panel (det. 21a) to level the structure.



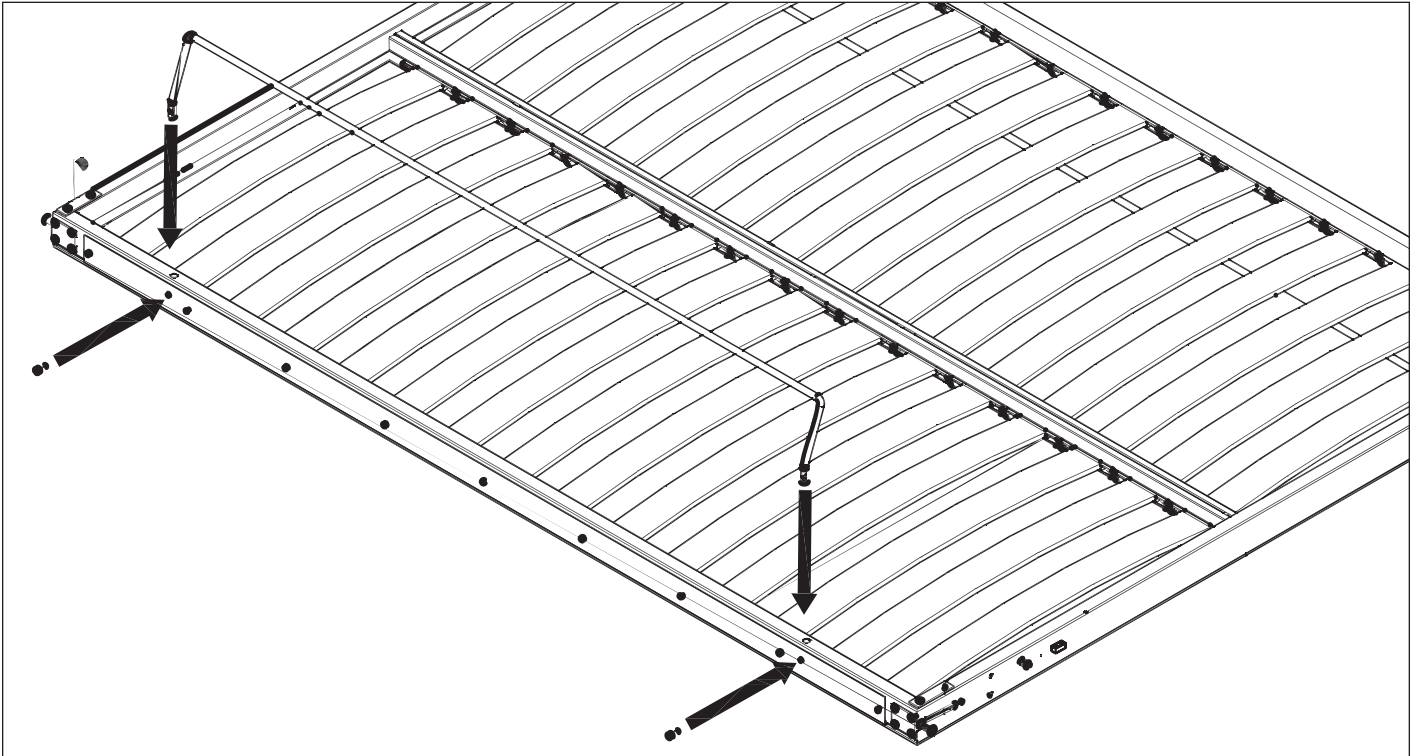
WALL BED ATTACHMENT

6 After the unit is level and plumb it should be securely attached to the wall using the metal angle mounting brackets as shown in the images below. A proper wall anchor suitable for the wall's construction must be selected by the contractor or installer.



MATTRESS BAR INSTALLATION

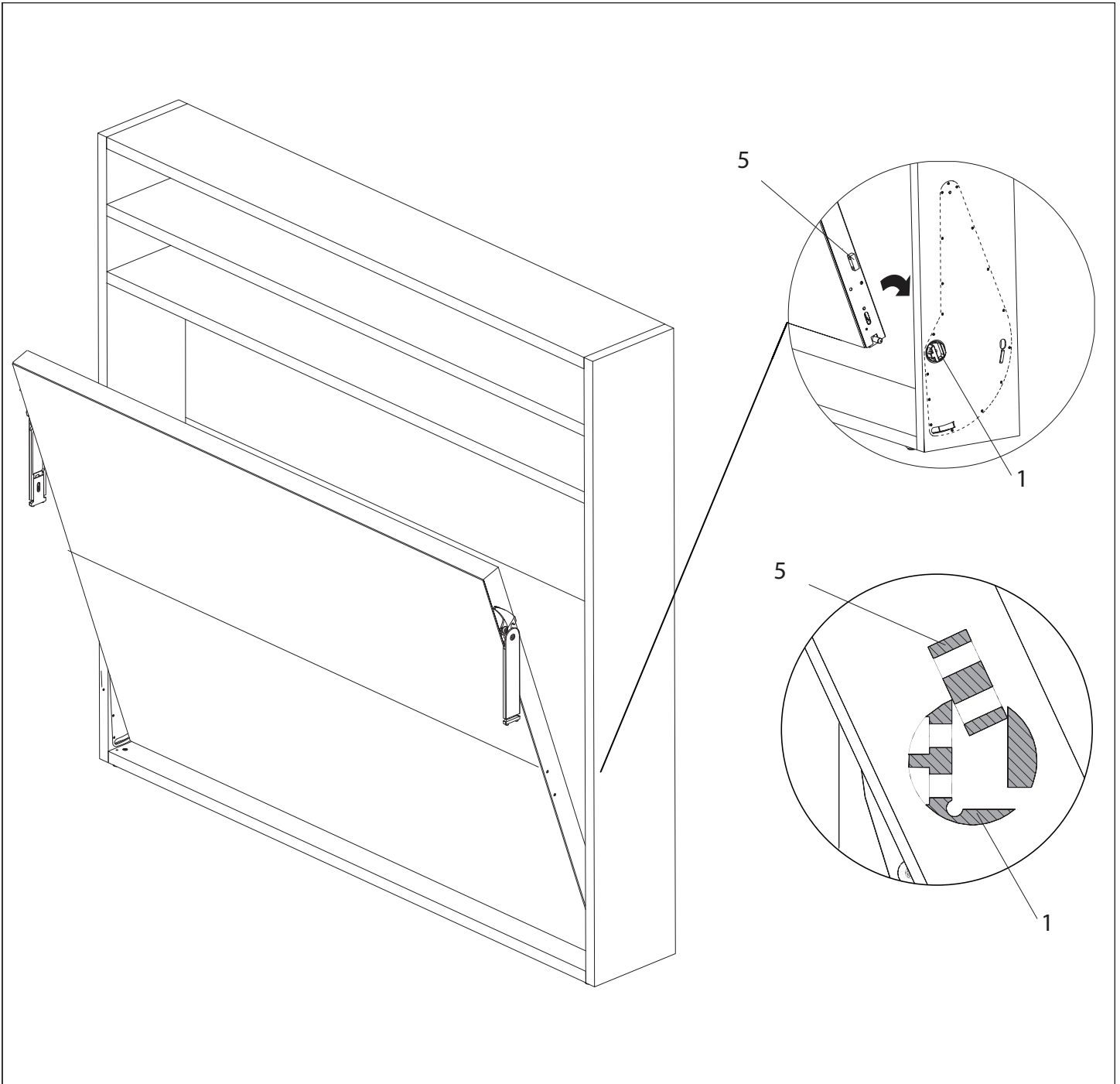
- 7** Fasten the (13) mattress support bar to the (5) bed frame using the attached bolt (E) to each bar. Mattress bar must be installed before the bed base is inserted into the structure.



BED BASE INSTALLATION

8

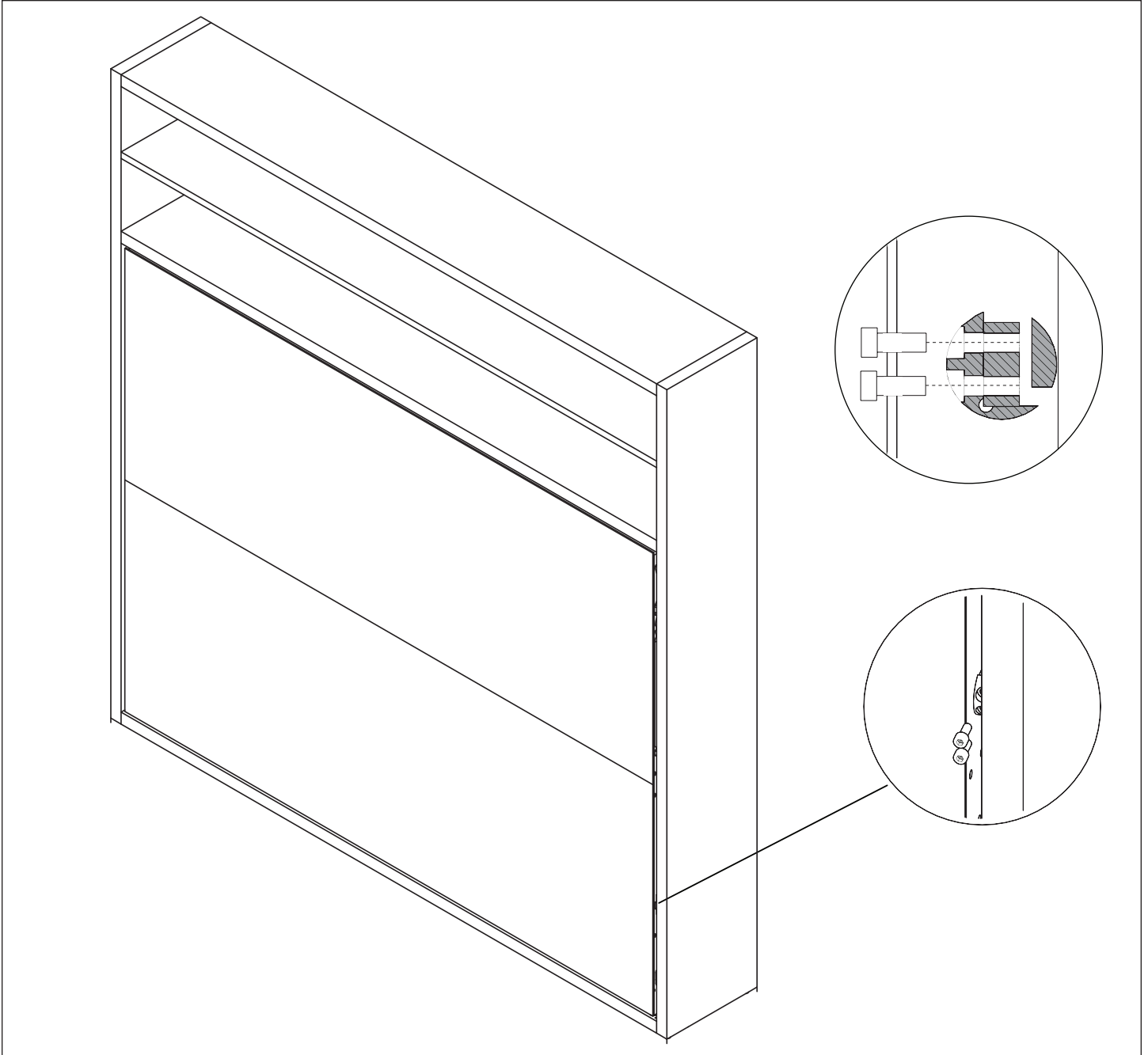
Inserting the bed base into the structure.



BED BASE INSTALLATION

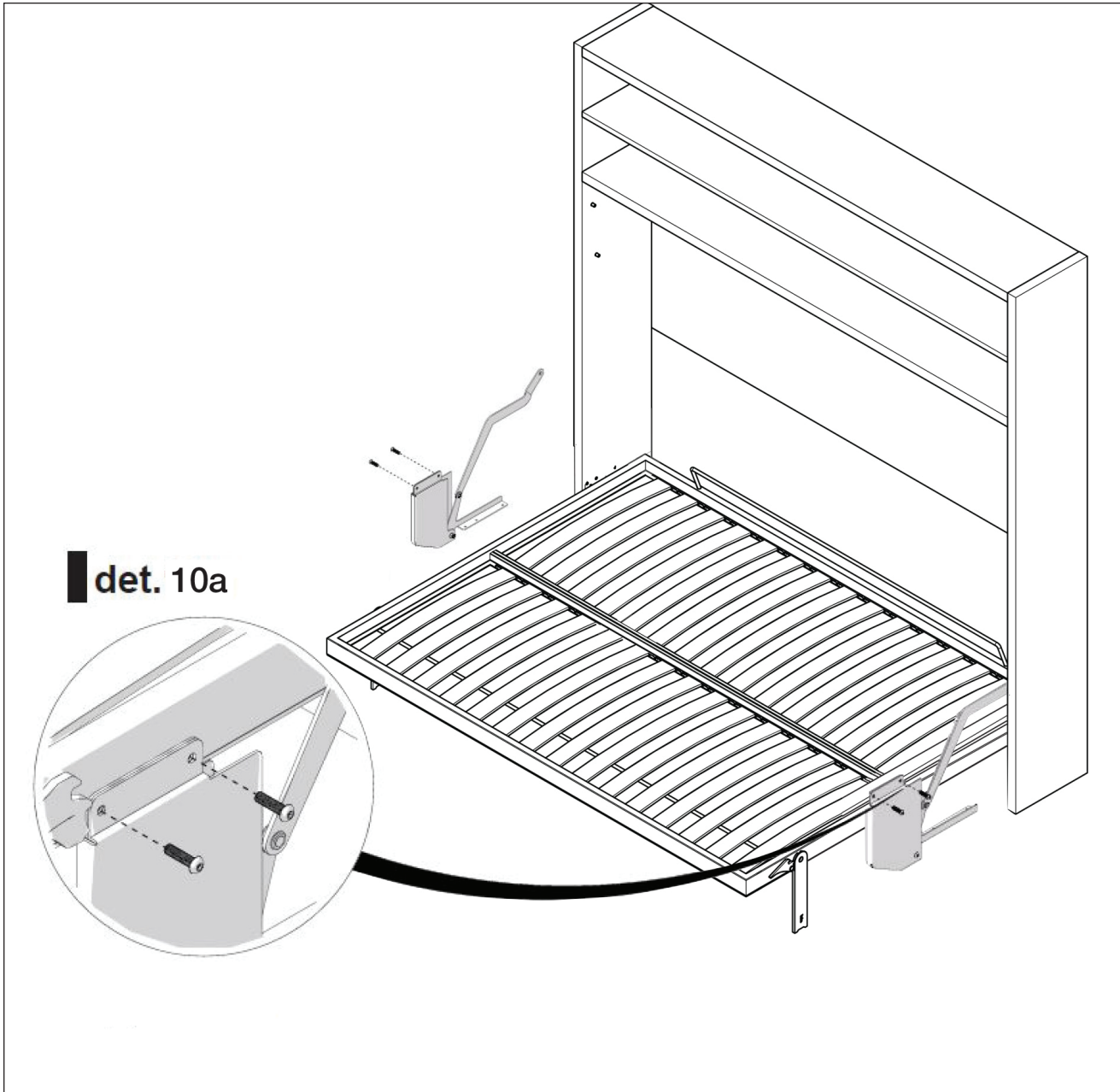
9

Attach the bed base to the structure using 4 machine bolts (D).



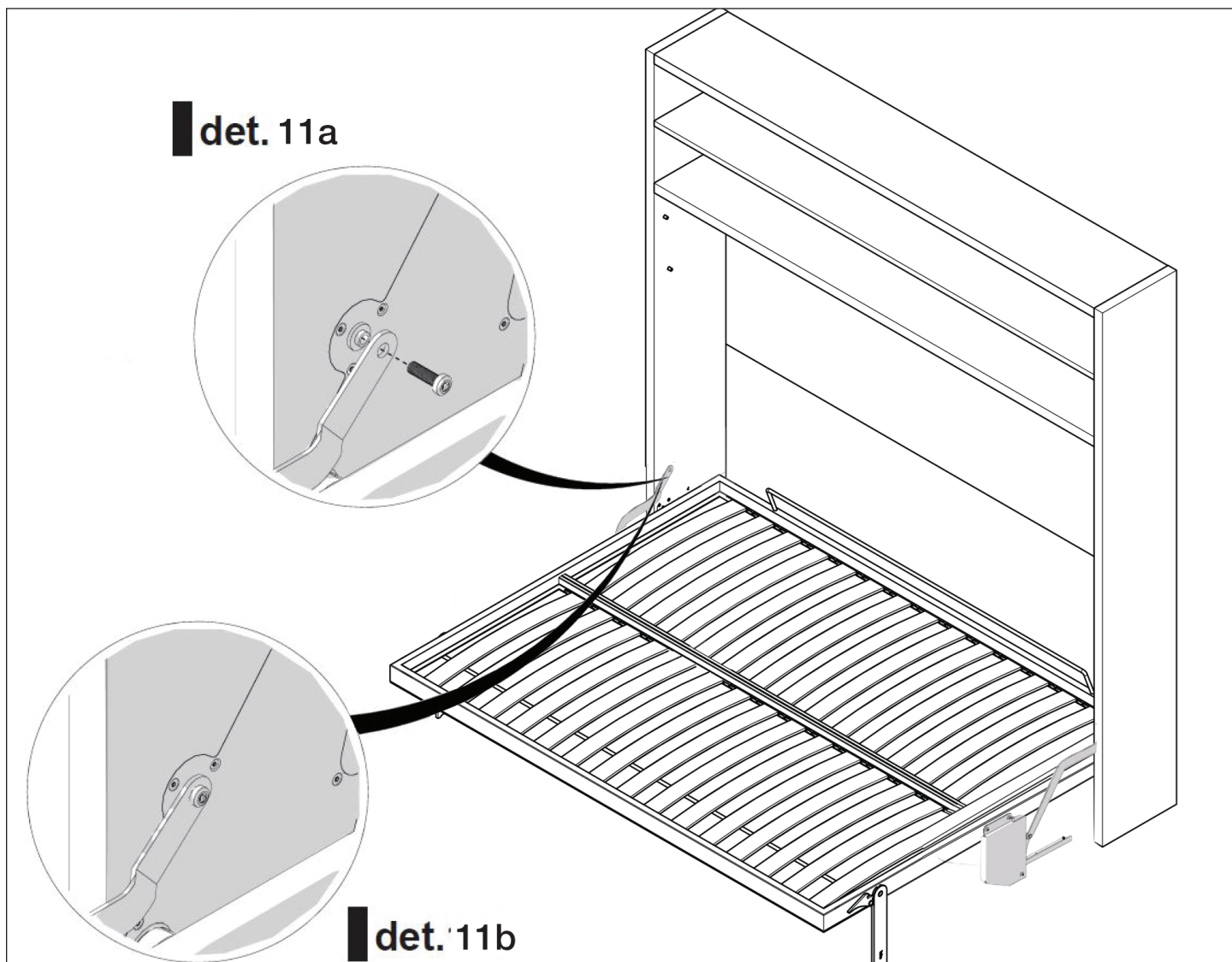
DESK INSTALLATION

- 10** Open the bed by pressing down on one of the two locking levers located on the sides of the bed frame. Position the (11) desk brackets so that they face towards the structure, as shown below. Fasten the brackets to the bed frame with 4 (M) flanged screws, as shown in det. 10a.



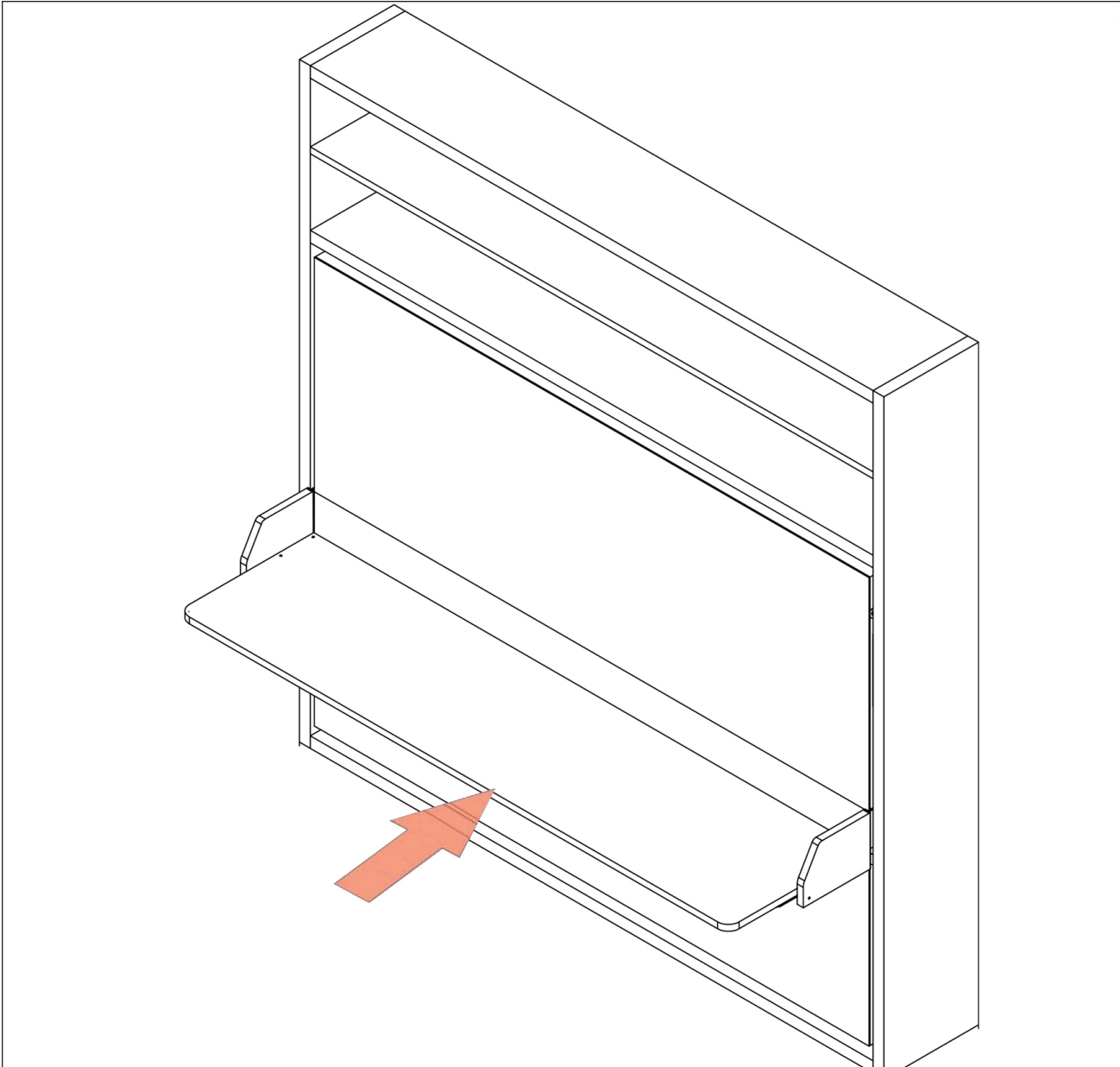
DESK INSTALLATION

- 11** Bring the two bracket arms to the vertical panels, aligning the holes. Place the (G) conical washer between each panel and L-shaped bracket as shown in det. 11a - the conical washer's smallest diameter should face away from the panel so that it can fit within the L-shaped bracket. Secure the L-shaped brackets in place by screwing in a (H) flanged screw into the brackets and panels, as shown in det. 11b.



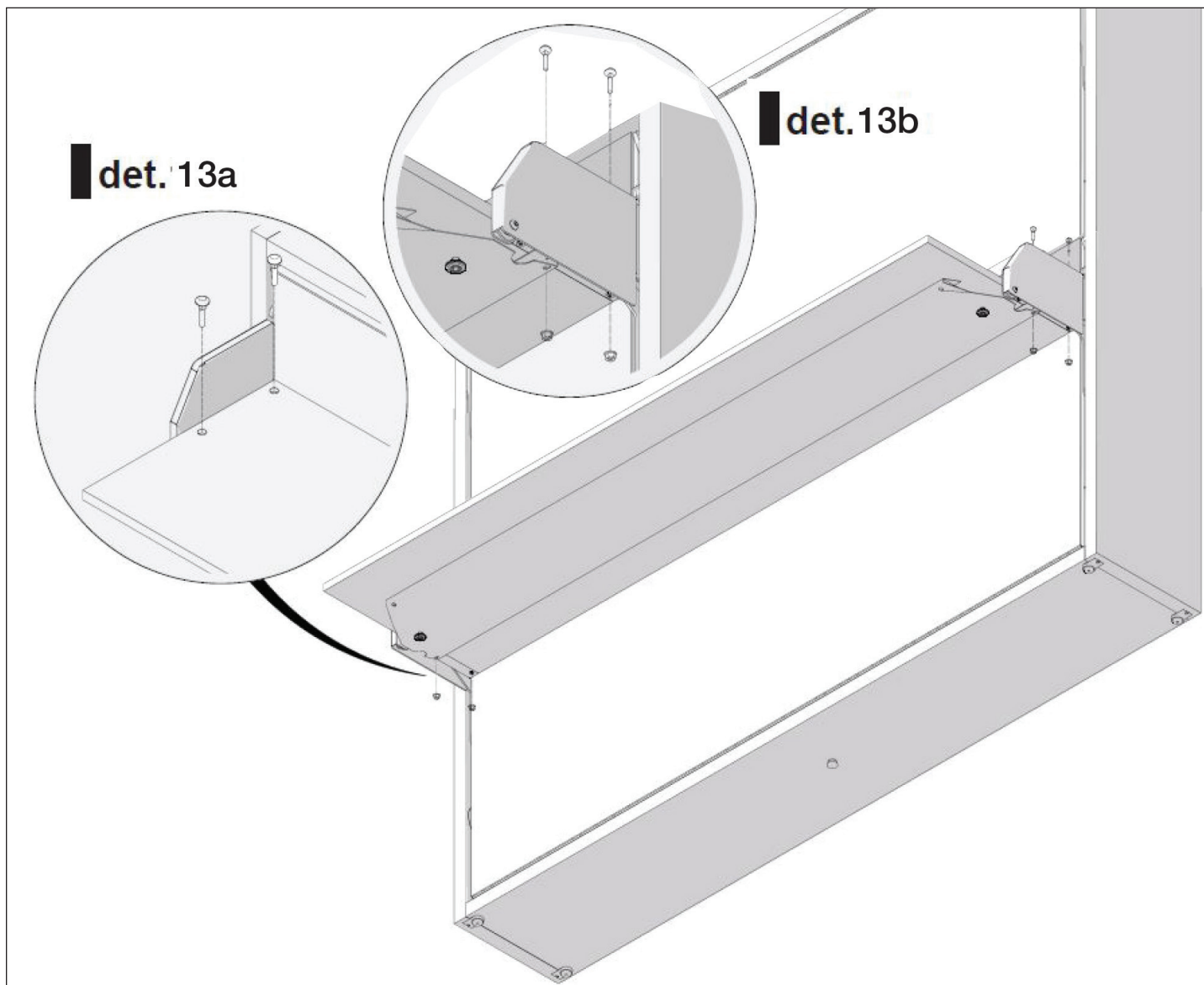
DESK INSTALLATION

- 12** Close the lower bed frame. Position the (12) desk against the front of the structure so that it rests on top of the (11) brackets. The round-ed corners should face outwards.



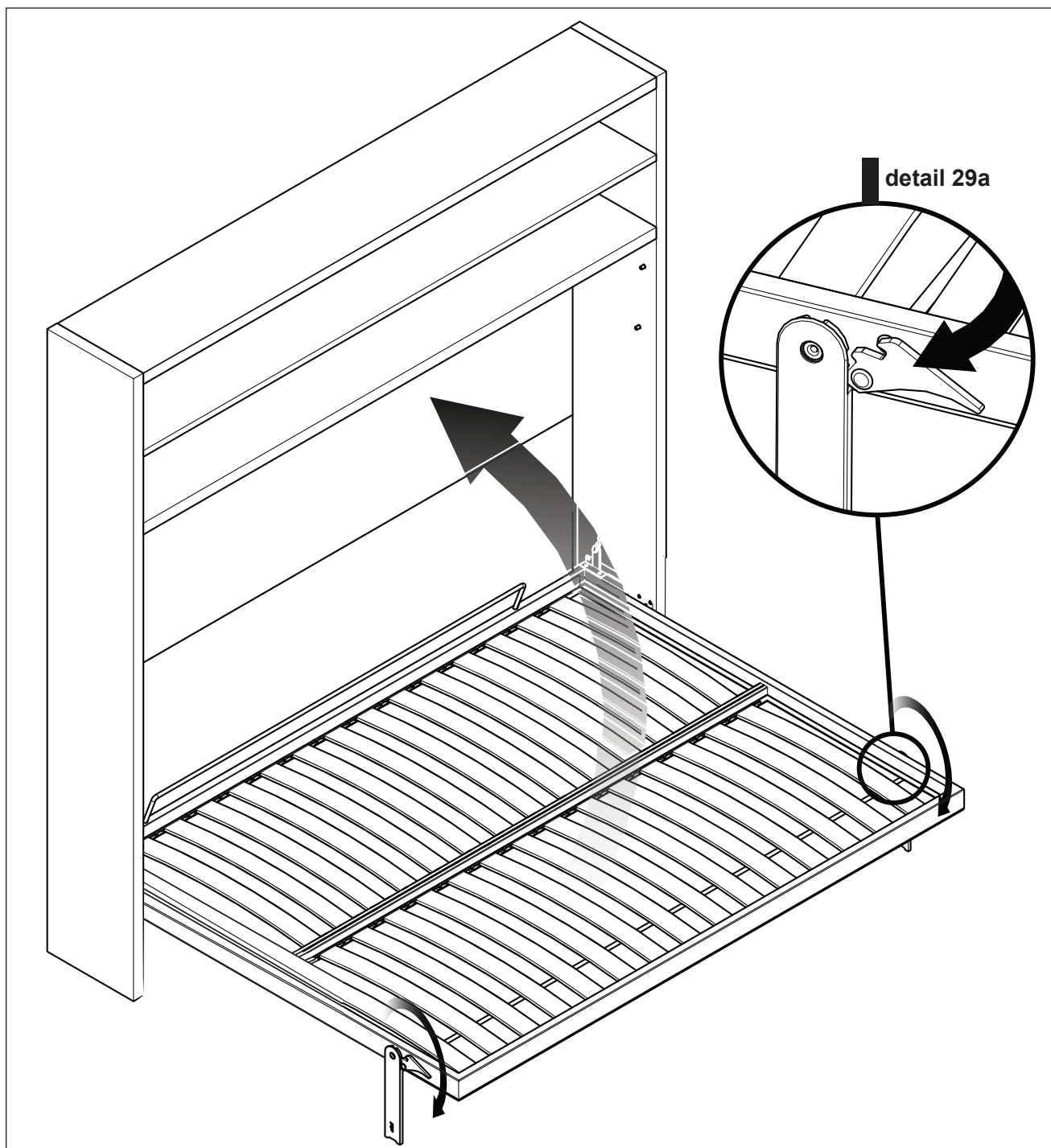
DESK INSTALLATION

- 13** Insert 4 (I) bolts into the holes on the desk, making sure that they pass through both the desk and the bracket arms (det. 13a). Once the bolts have been inserted, attach 4 (J) nuts, as shown in det. 13b. Tighten the hardware so that the nut head sits within the hole of the desk. Insert 2 (K) screws into the two remaining holes on the underside of the desk.



BED OPERATION


- 14** To open the bed, gently lift one of the two legs upwards so that it unlocks the safety latch directly above it. If the leg is lifted too much (lying perpendicular to the structure), pull down on the safety latch directly above. Do NOT attempt to open the bed without unlocking the safety latch. The safety latches will automatically lock once the bed is fully open.



SAFELY OPERATING YOUR CIRCE BOARD BED

OPENING YOUR CIRCE BOARD WALL BED

- 1 With a finger, pull out the bottom of one of the legs located in the space between the front panel and the structure of the bed. Lift up the leg about 30 degrees to release the safety latch.

 **Do not attempt to close the bed without releasing the safety latch.** If you lift the leg too far in error, pull down on the safety latch above the leg to release.

- 2 Grasp either one of the legs to pull the bed down.

Make sure to **support the bed frame** for the entire descent until both legs are resting on the floor.

NOTE: The Circe Board will then be safely locked in place in the open position.

- 3 **Release** the two mattress **straps** by squeezing the center of the clasp.

Tuck the **straps** under the mattress.

- 4 **See you in the morning!**

 **Do not attempt to close the bed without releasing the safety latch. See reverse for instructions on releasing the safety latch.**



SAFELY OPERATING YOUR CIRCE BOARD BED

CLOSING YOUR CIRCE BOARD WALL BED



Do not attempt to close the bed without releasing the safety latch.

1

Remove bed pillows and tuck bedding in on all sides around and under the mattress.

Latch both mattress straps over the bedding.

2

Release one of the safety latches. Stand at the foot of the bed at either corner. Using one hand, **apply gentle downward pressure on the bed** while **pushing down on one of the release levers** with the other hand. You do not have to release both latches.

Once properly released, the bed will be easy to lift. If you feel any resistance, let go and repeat step 2.



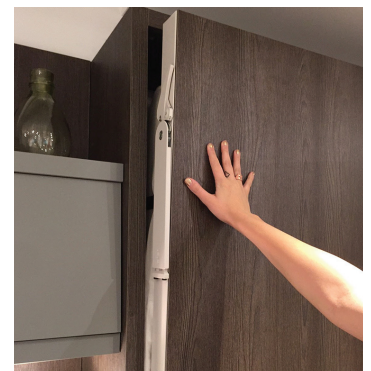
Oh, and did we mention: **Do not attempt to close the bed without releasing the safety latch?** I thought so.

3

Continue to **lift bed frame** as you walk forward toward wall. **Push bed frame** into structure until you hear both safety latches above the legs **“click” into place**. This indicates that the bed is now fully locked.

4

Have a great day!



NOTE: Your Circe Board is designed so that most bedding can remain on the bed when closed. If you experience difficulty closing the bed, your bedding might be too thick.

