

# Assembly Instructions

Kali Board 90/120










resource

# WARNING

READ CAREFULLY BEFORE BEGINNING INSTALLATION.

IMPROPER INSTALLATION OF THE PRODUCT MAY CAUSE SERIOUS INJURY

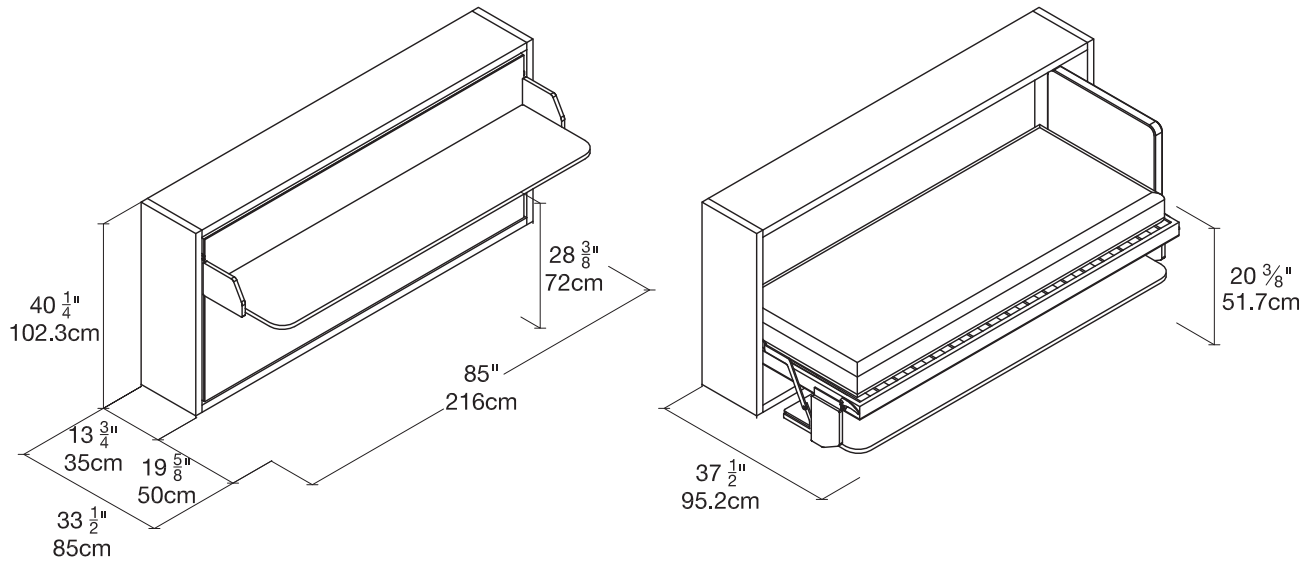
-  Installation must be performed by a licensed contractor or a trained professional, who will ensure proper assembly and installation.
-  Installation must be performed by at least 2 people.
-  Improper installation of this product can cause serious or fatal injury.
-  Improper installation may result in permanent damage to the bed.
-  The wall bed must be secured to the wall in four locations using appropriate hardware. The contractor or installer must select the proper anchoring hardware.
  - The wall anchors included are for solid concrete walls only.
  - Walls with wooden studs: Wood screws must be screwed into wooden studs in the wall.
  - Any other wall composition: A proper wall anchor suitable for the wall's construction must be selected by the contractor or installer.
-  No anchor can be used twice. If the product is removed from the wall, new anchor holes must be drilled and new hardware must be used.
-  All hardware must be properly tightened. No parts of the model should be left loose or unstable.

Warranties for all products purchased from Resource Furniture, LLC are only valid if the product has been properly assembled, installed by a trained professional, and operated in accordance with the assembly instructions.

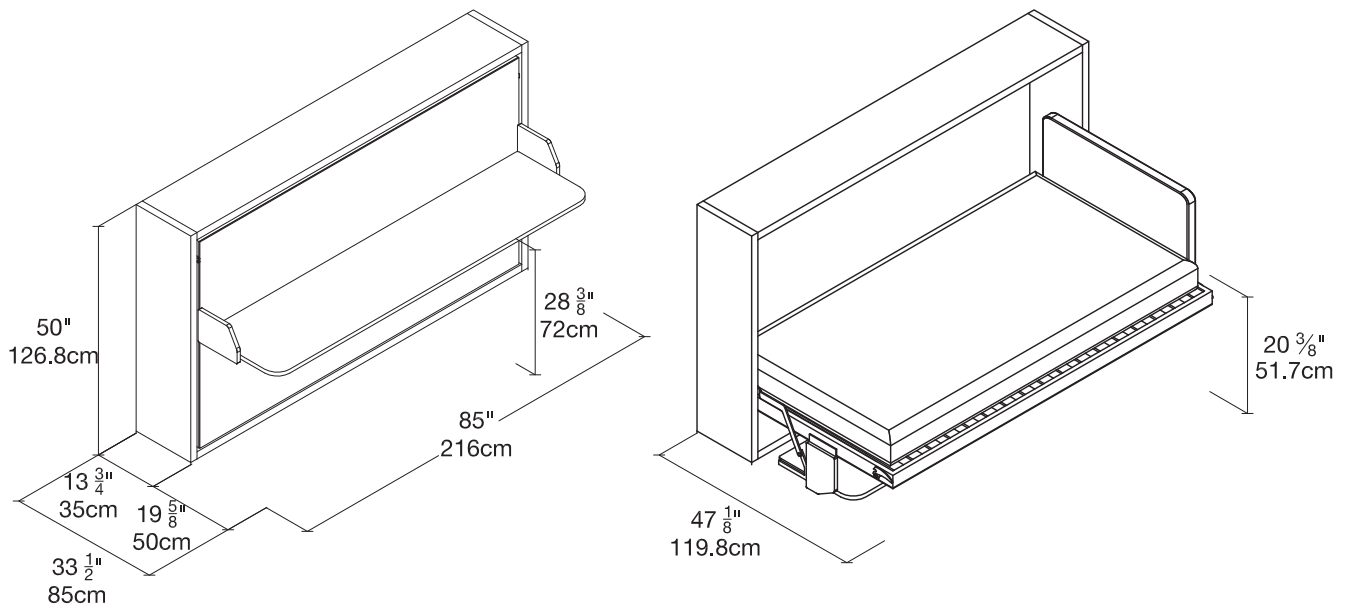
Resource Furniture accepts no responsibility for any damage or injury caused by improper installation.

# KALI BOARD 90/120 OVERVIEW

## Kali 90 Board



## Kali 120 Board



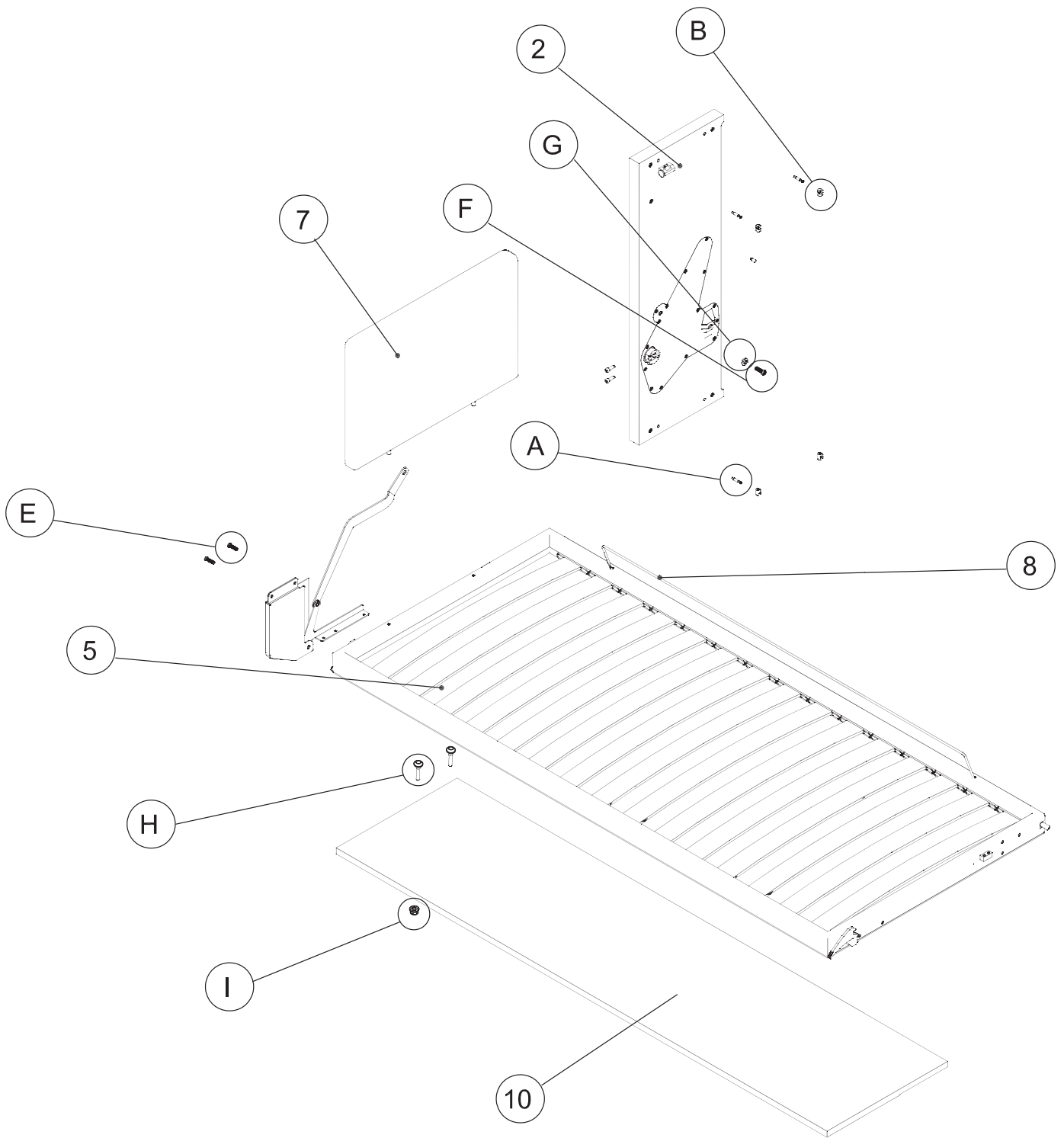
### KALI BOARD 90 MATTRESS SPECIFICATIONS

Recommended weight: ~ 36 lbs  
Recommended dimensions: 31 1/2" x 78" x 7"

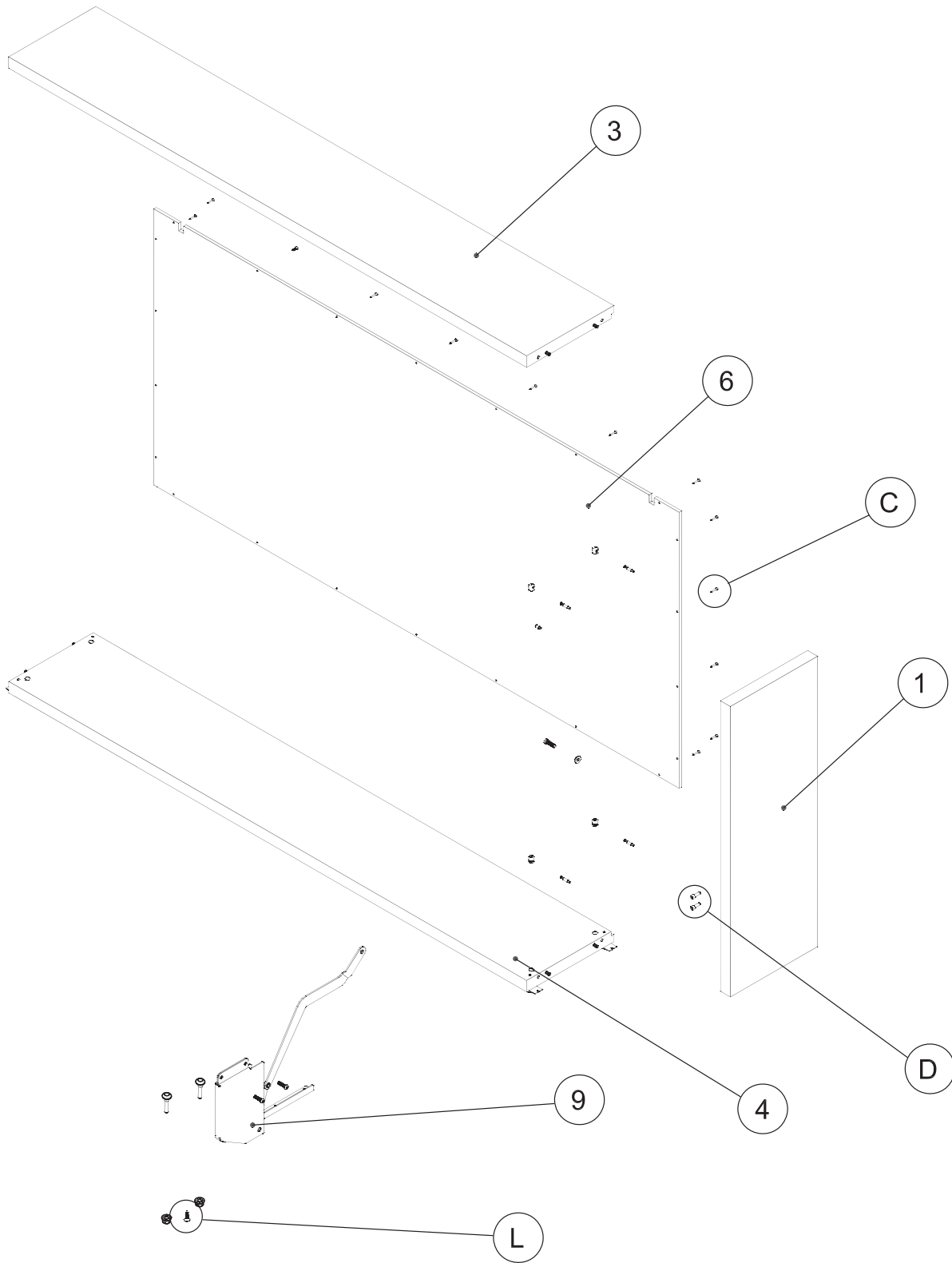
### KALI BOARD 120 MATTRESS SPECIFICATIONS

Recommended weight: ~ 50 lbs  
Recommended dimensions: 41" x 78" x 7"

# KALI BOARD 90/120 OVERVIEW



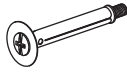
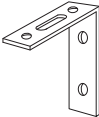
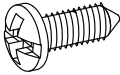
# KALI BOARD 90/120 OVERVIEW



# KALI BOARD 90/120 COMPONENTS

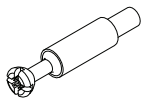
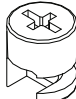

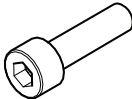



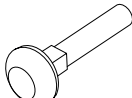

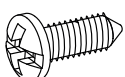
CODE	QTY.	COMPONENTS
1	1	Right side panel
2	1	Left side panel
3	1	Top horizontal panel
4	1	Bottom horizontal panel
5	1	Bed frame
6	1	Back panels
7	1	Headboard
8	1	Metal mattress support bar
9	2	Desk brackets
10	1	Desk

# KALI BOARD 90/120 WALL MOUNTING HARDWARE

CODE	QTY.	DESCRIPTION	
WA	4	Wall anchors supplied anchors are for solid concrete walls only	
WA	2	Wall brackets	
WA	4	Bracket screws	

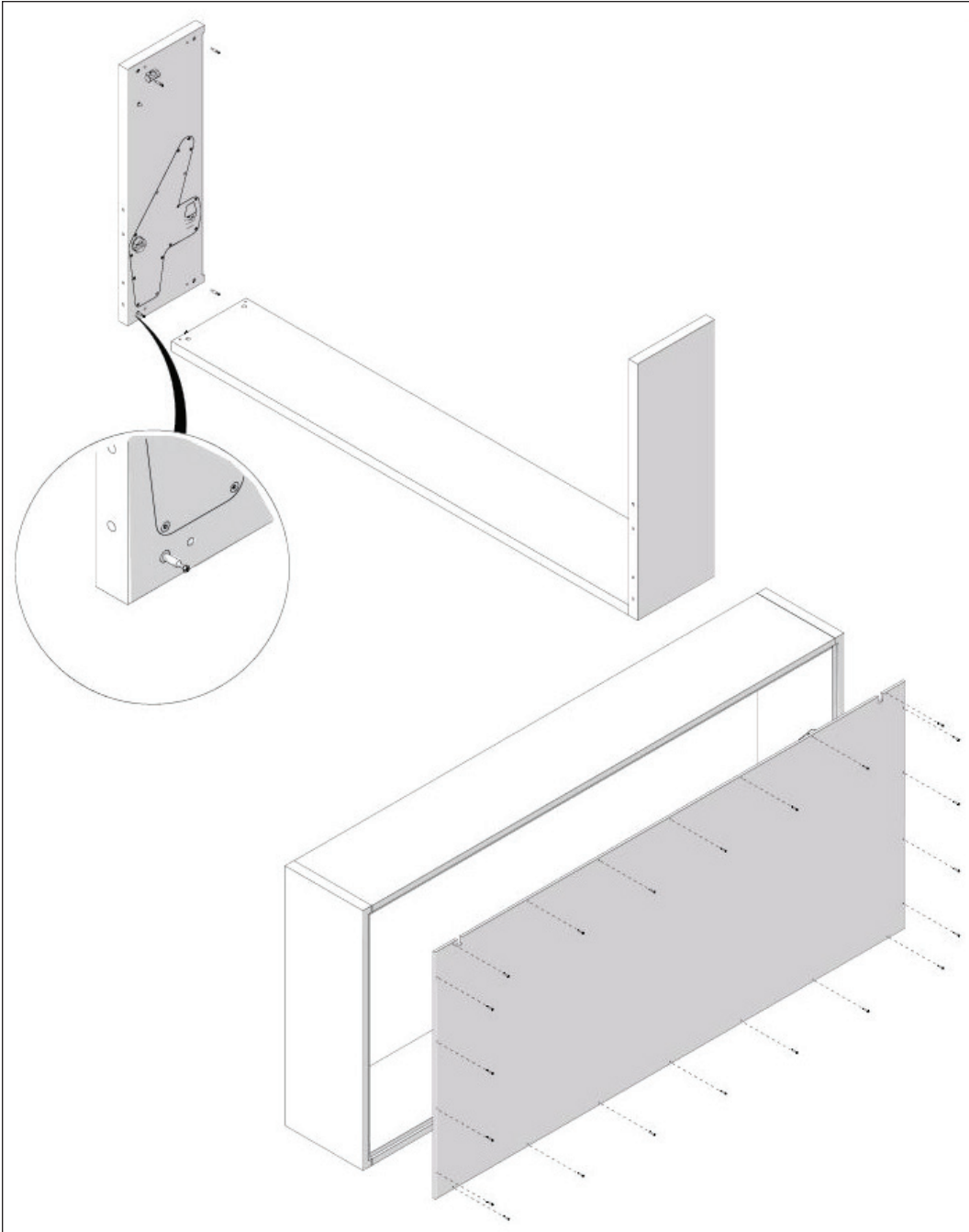
**Note:** The installer must determine the composition of the wall and appropriate anchors prior to installation. The wall anchors included are for solid concrete walls only.

# KALI BOARD 90/120 STRUCTURAL HARDWARE

CODE	QTY.	DESCRIPTION	
A	8	Pins	
B	8	Cam connectors	
C	22	Phillips screw	
D	4	Hex screws - for attaching bed frame to structure	
E	4	Flanged screws - for attaching desk to desk mechanism	
F	2	Conical Washers - for attaching desk mechanism to side panels	
G	2	Flanged screws - for attaching desk mechanism to vertical side panels	
H	4	Bolt - for attaching desk	
I	4	Nut - for attaching desk	
L	2	Screw - for attaching desk	

# STRUCTURE ASSEMBLY

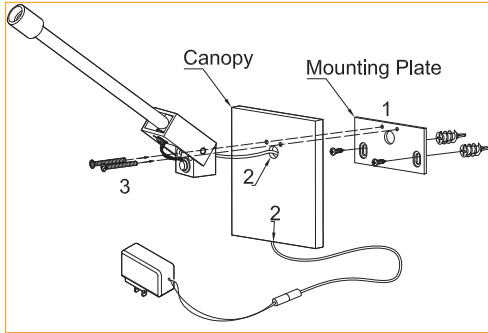
- 1 Screw 8 (A) connector bolts into the (1) right vertical and (2) left vertical panels. Attach the (3) horizontal top and (4) horizontal bottom panels to the vertical panels by inserting and tightening 8 (B) cams. Attach the (6) back panel to the structure with 22 (C) Phillips screws.



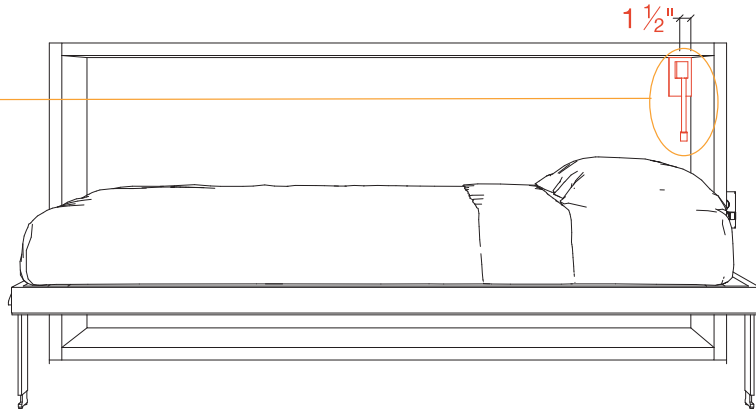


# OPTIONAL KALI 90 WAND LIGHTING

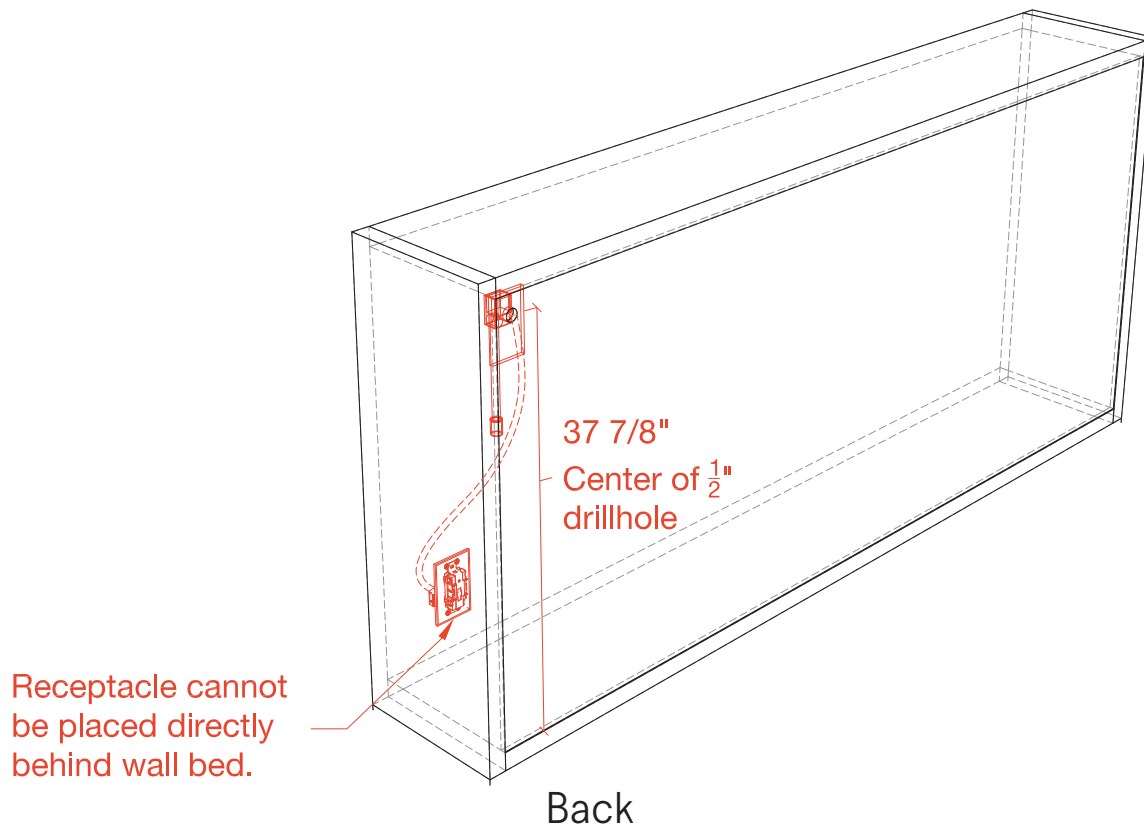
- 2** Drill  $\frac{1}{2}$ " hole at  $37 \frac{7}{8}$ " measured from the bottom of the structure (from inside) and  $1 \frac{1}{2}$ " in from the side. Install mounting Plate with provided wood screws, aligning the  $\frac{1}{2}$ " drill holes.



Wand Light Exploded Diagram  
Cord Length = 118"

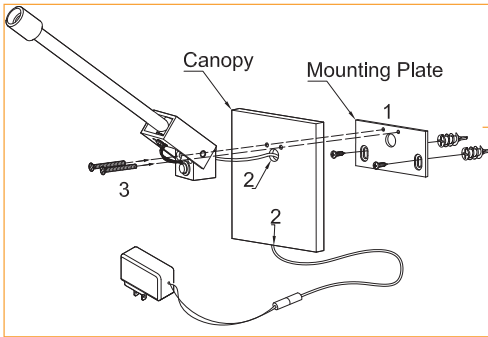


Front



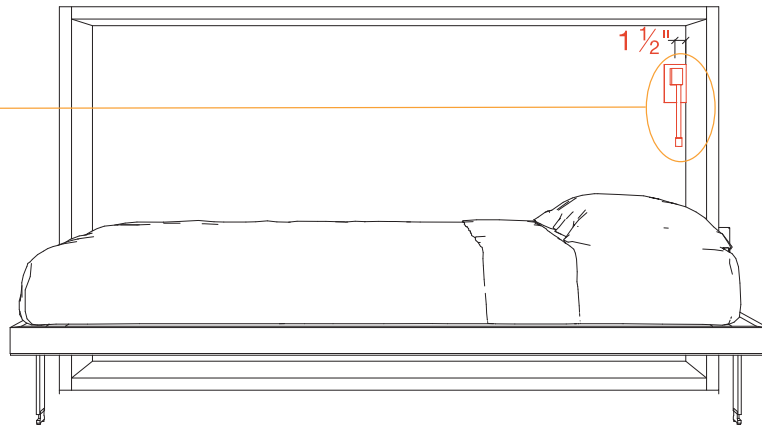
# OPTIONAL KALI 120 WAND LIGHTING

- 3** Drill  $\frac{1}{2}$ " hole at  $37 \frac{7}{8}$ " measured from the bottom of the structure (from inside) and  $1 \frac{1}{2}$ " in from the side. Install mounting Plate with provided wood screws, aligning the  $\frac{1}{2}$ " drill holes.

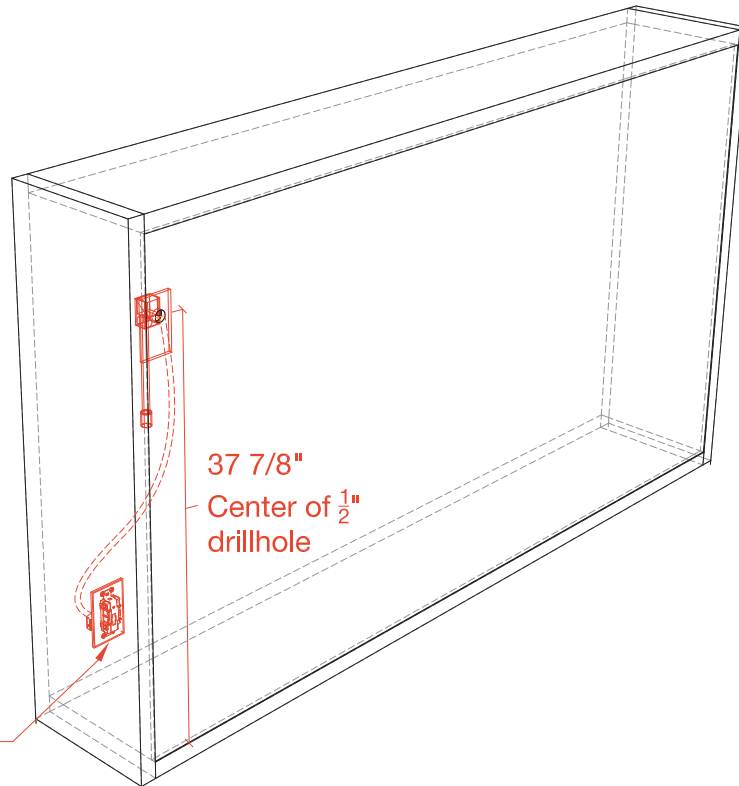


Wand Light Exploded Diagram

Cord Length = 118"



Front

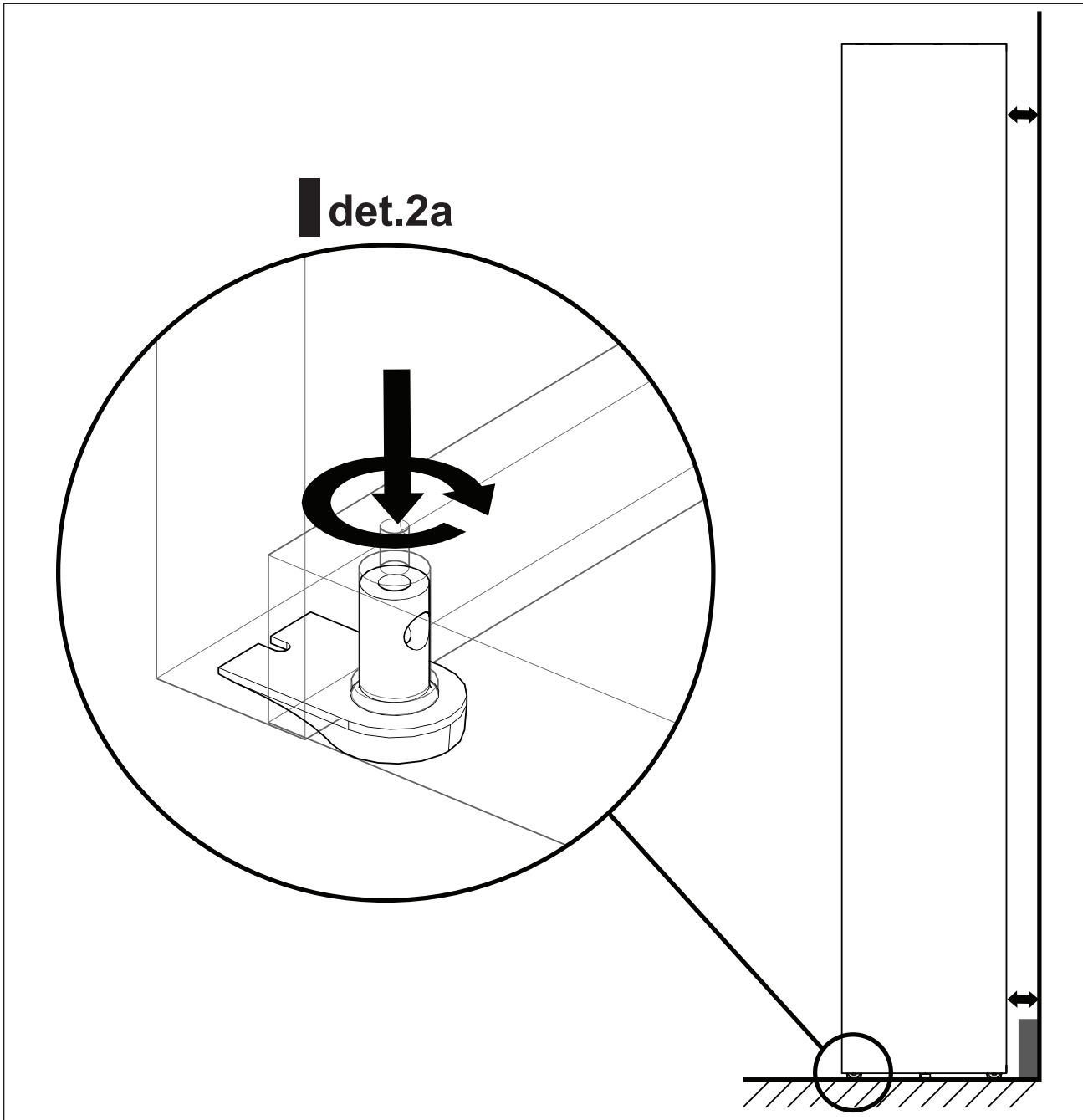


Receptacle cannot be placed directly behind wall bed.

Back

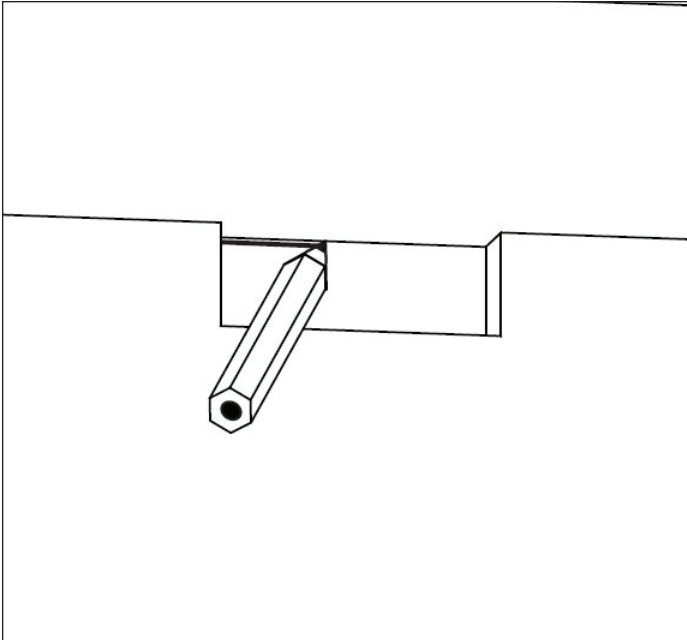
# LEVELING THE STRUCTURE

- 4 Ensure that the structure is level and plumb. To compensate for any floor unevenness, use the adjustable feet on the (4) horizontal bottom panel (det. 2a) to level the structure.

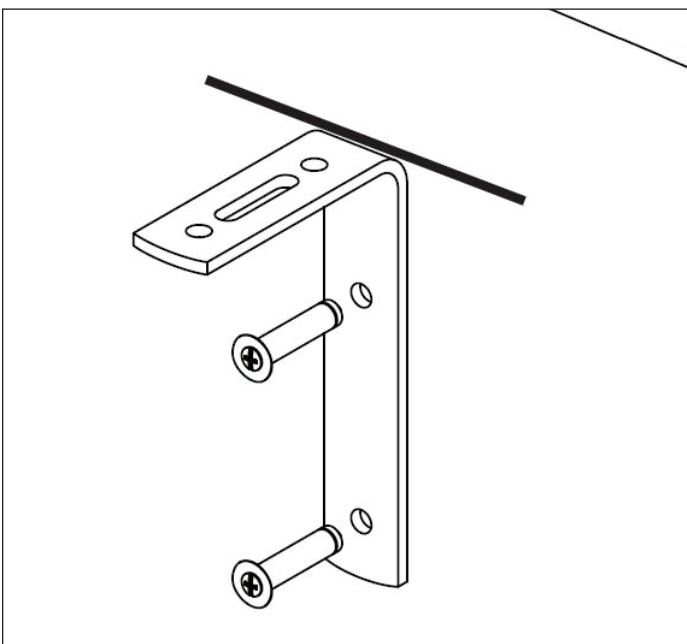


# WALL BED ATTACHMENT

- 5** Locate the two open spaces at the top of the 6 back panel. Draw a line through the open space along the top 3 panel as shown in Image 3 to mark where the wall anchors will be placed.

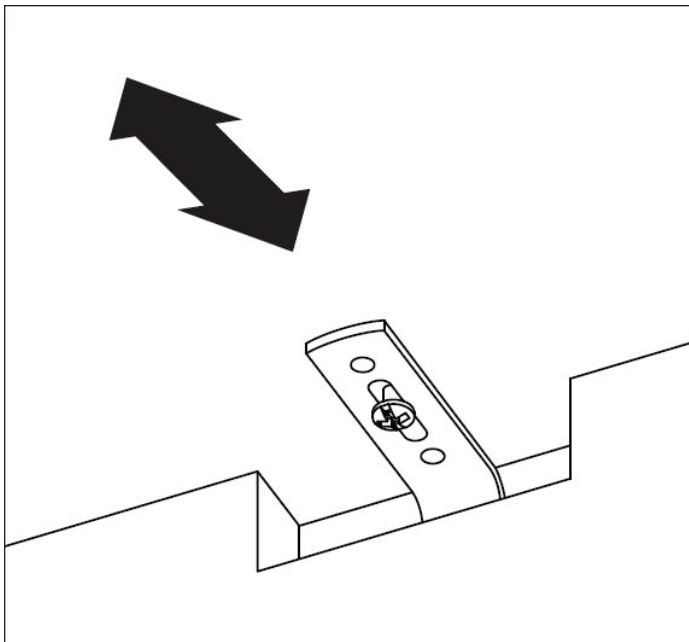


- 6** Move the structure away from the wall and attach the WB wall bracket to the wall using 2 WA wall anchors. The installer must determine the composition of the wall and appropriate anchors prior to installation. The WA wall anchors included are for solid concrete walls only.

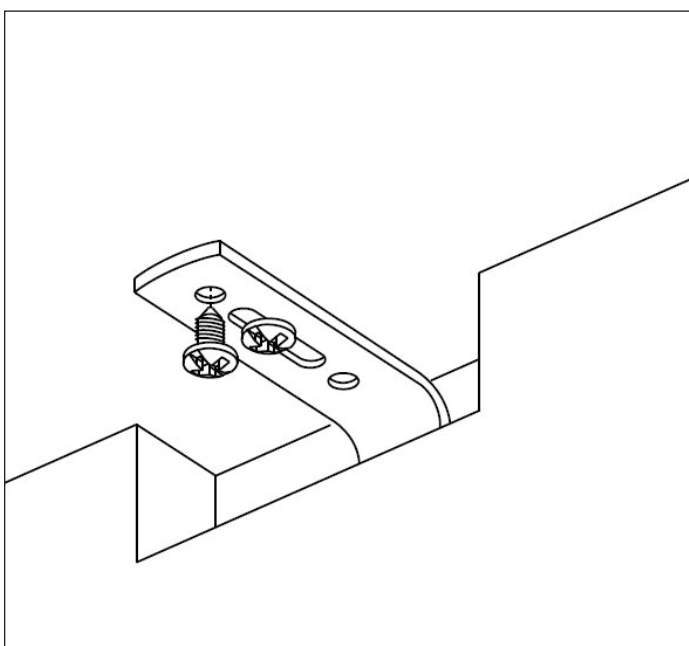


# WALL BED ATTACHMENT

- 7** Re-position the structure against the wall, ensuring that the 2 wall brackets pass through the open spaces in the back panel. Attach the bracket to the bottom of the top horizontal panel by screwing 1 (WA) screw into each bracket as shown. Do not fasten completely.

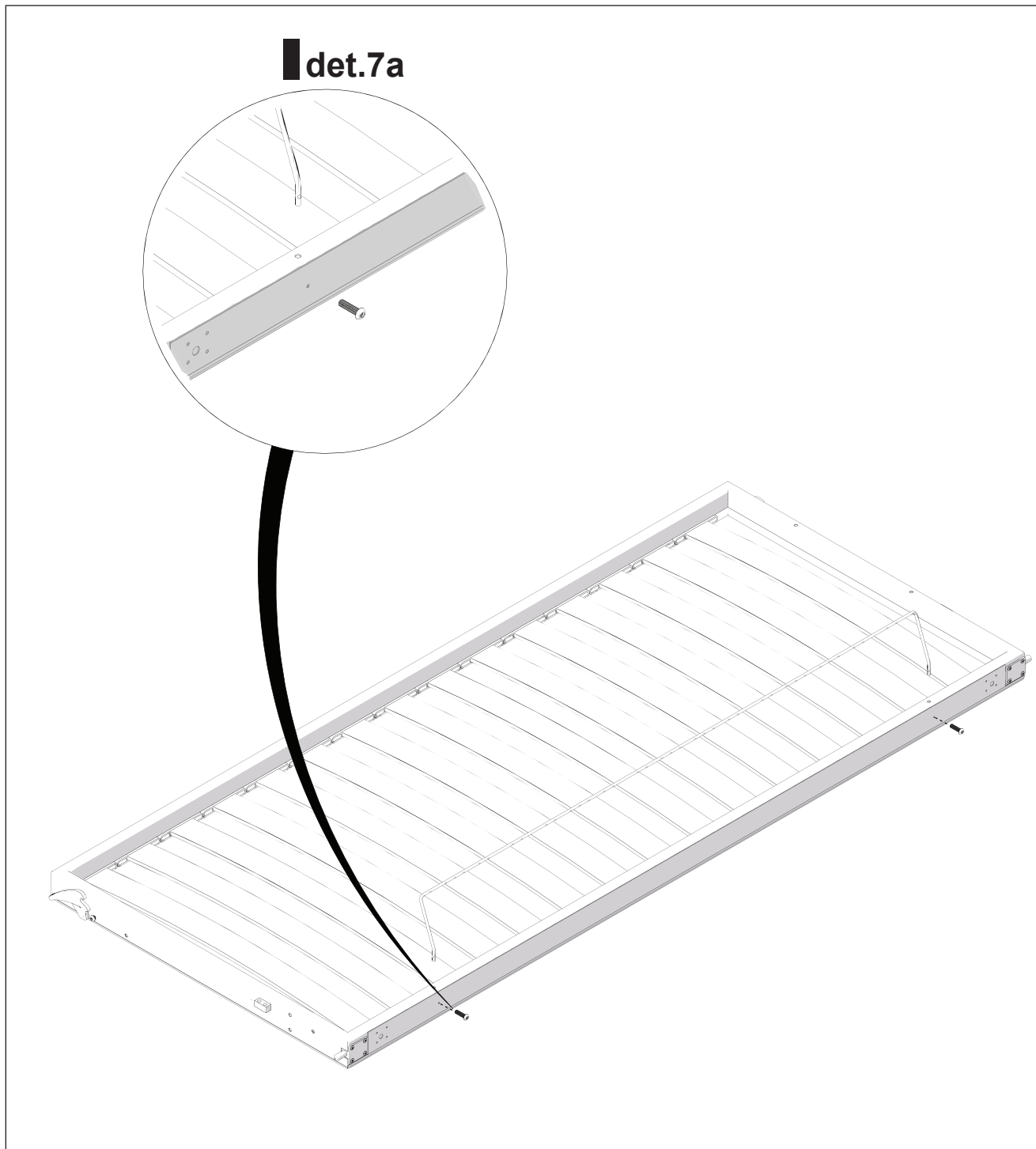


- 8** Adjust the position of the structure, ensuring that it is level and plumb. Secure each bracket to the structure by fastening the screws to the top panel completely, using an additional WA screw.



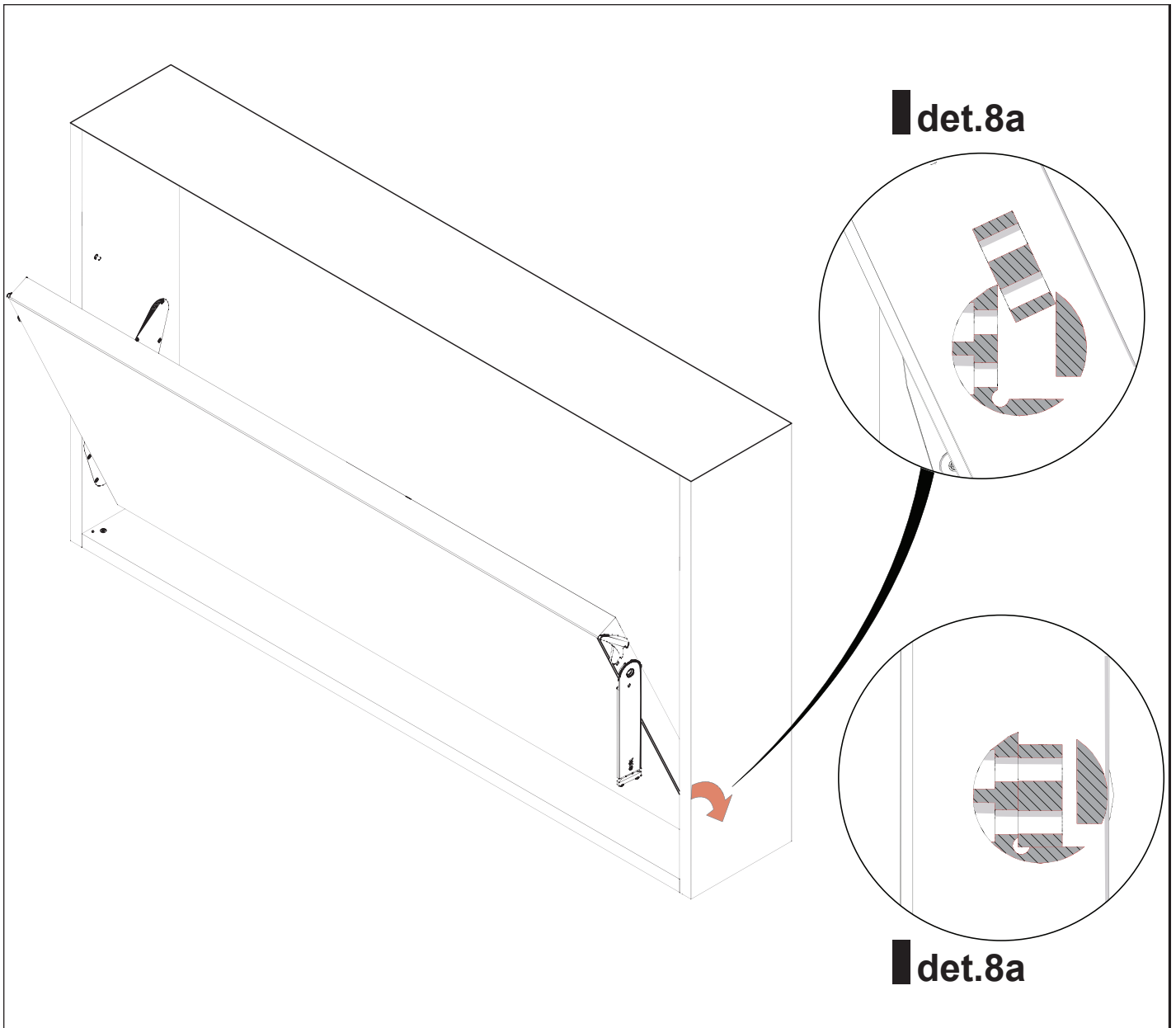
# BED BASE INSTALLATION

- 9** Fasten the 8 mattress support bar to the 5 bed frame using the 5MA x 20 screws attached to the bar. Mattress bar must be installed before the bed base is inserted into the structure.



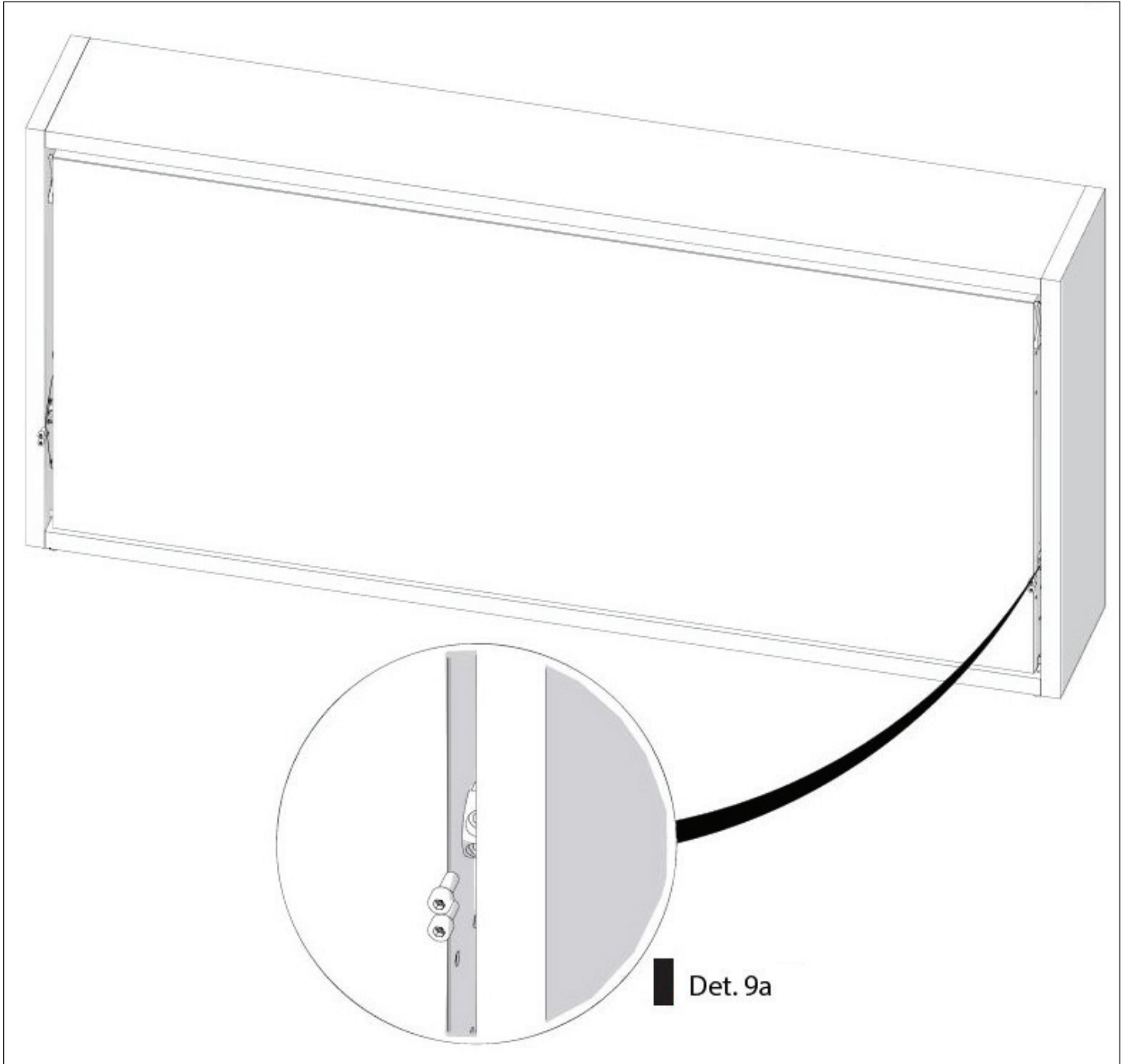
# BED BASE INSTALLATION

10 Position and insert the (5) bed frame within the structure as shown in det. 8a.



# BED BASE INSTALLATION

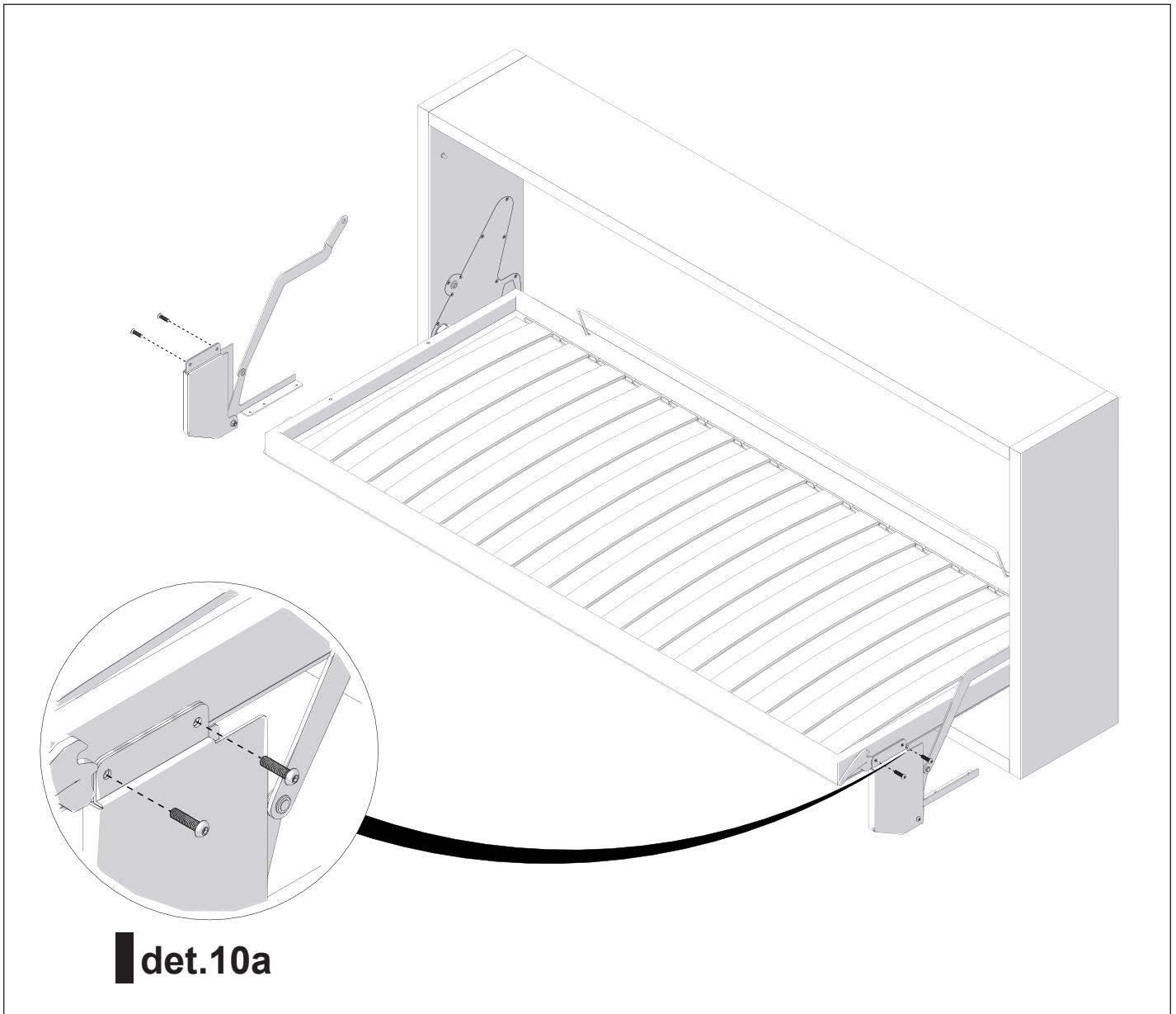
- 11** Close the lower bed and fasten 2 (D) hex screws into the mechanisms on both vertical panels, as shown in det. 9a.





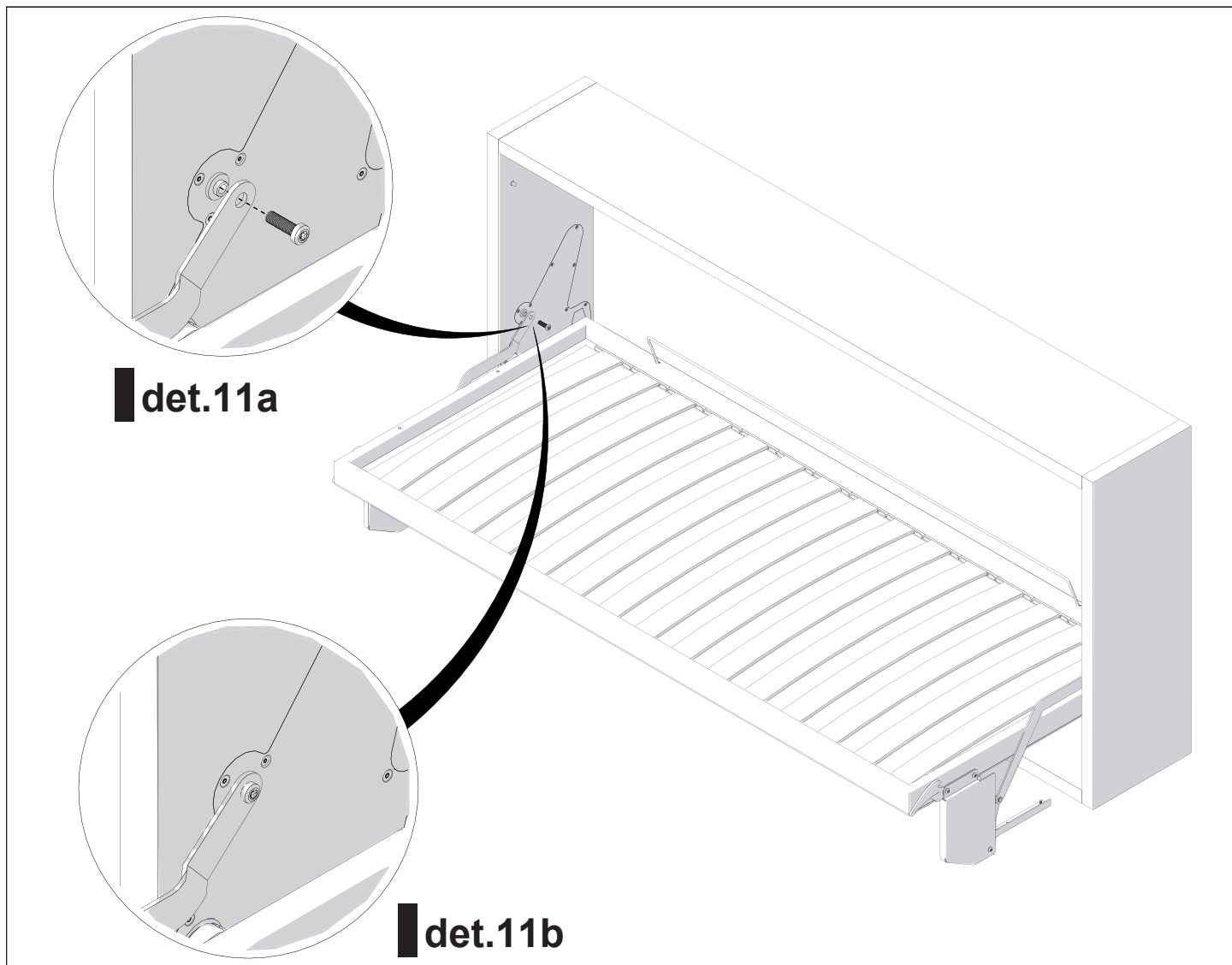
# DESK INSTALLATION

- 12** Open the bed by pressing down on one of the two locking levers located on the sides of the bed frame. Position the (9) desk brackets so that they face towards the structure, as shown below. Fasten the brackets to the bed frame with 4 (E) flanged screws, as shown in det. 10a.



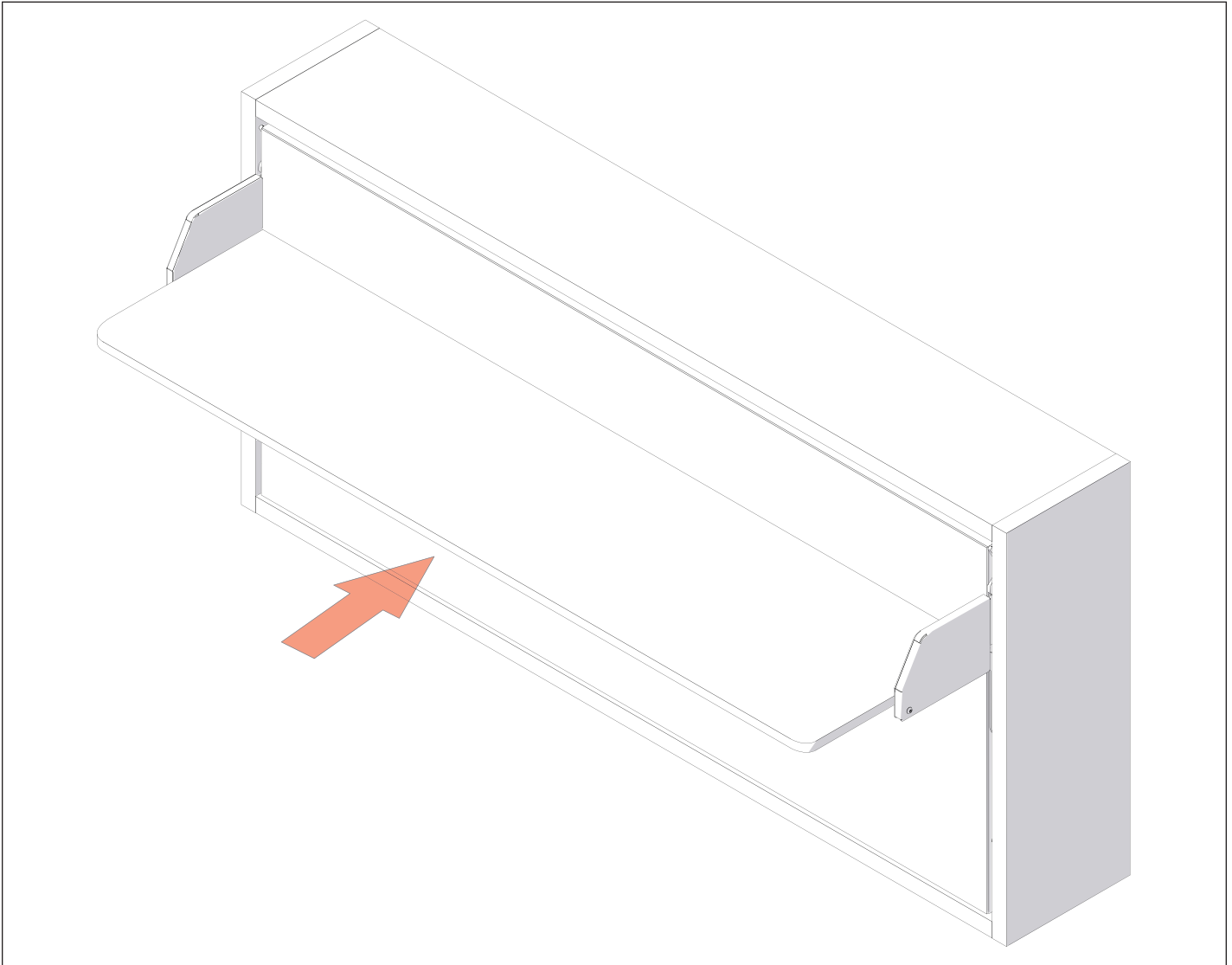
# DESK INSTALLATION

- 13** Bring the two bracket arms to the vertical panels, aligning the holes. Place the (F) conical washer between each panel and L-shaped bracket as shown in det. 11a - the conical washer's smallest diameter should face away from the panel so that it can fit within the L-shaped bracket. Secure the L-shaped brackets in place by screwing in a (G) flanged screw into the brackets and panels, as shown in det. 11b.



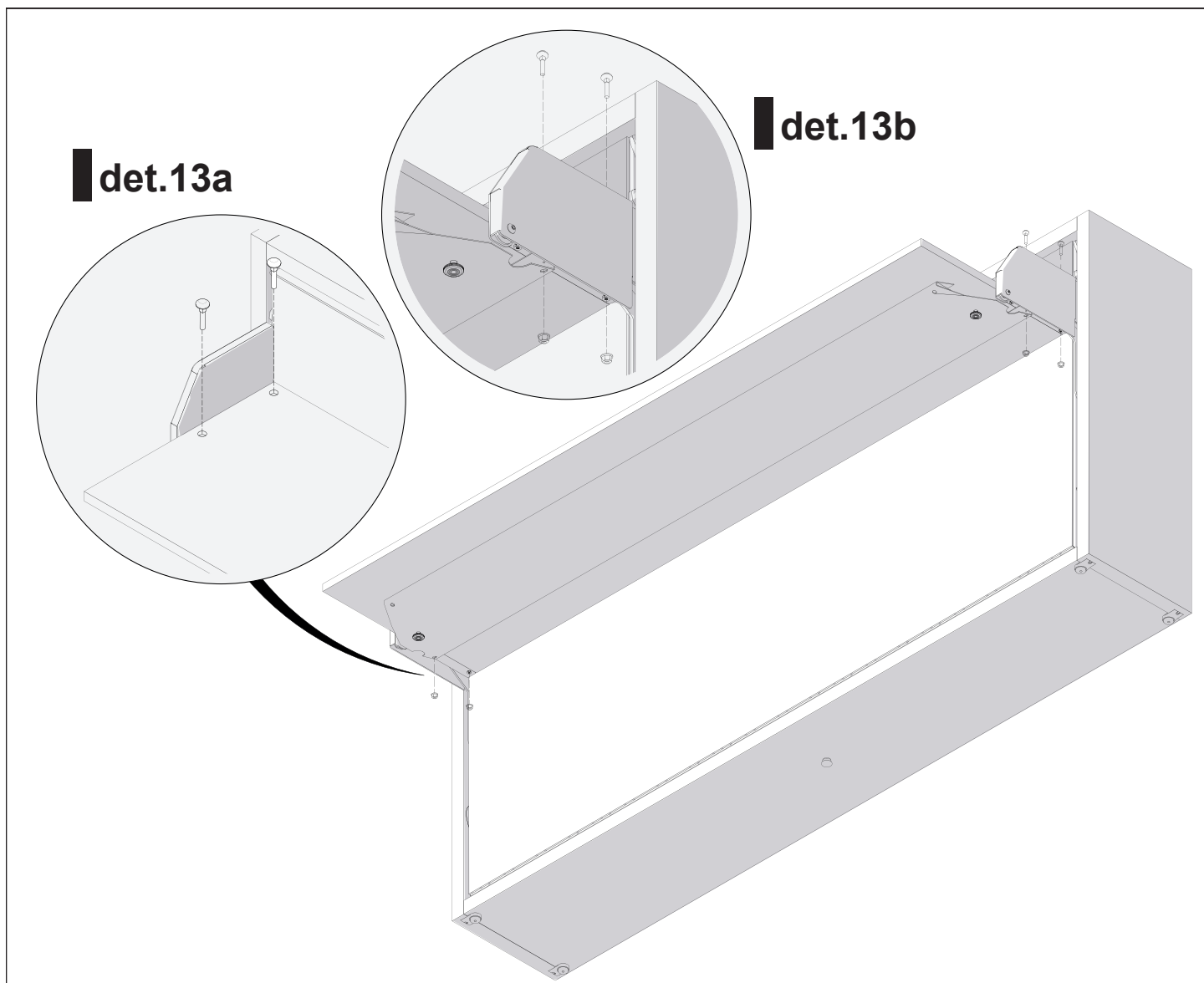
# DESK INSTALLATION

- 14** Close the lower bed frame. Position the (10) desk against the front of the structure so that it rests on top of the (9) brackets. The rounded corners should face outwards.



# DESK INSTALLATION

- 15** Insert 4 (H) bolts into the holes on the desk, making sure that they pass through both the desk and the bracket arms (det. 13a). Once the bolts have been inserted, attach 4 (I) nuts, as shown in det. 13b. Tighten the hardware so that the nut head sits within the hole of the desk. Insert 2 (L) screws into the two remaining holes on the underside of the desk.



# HEADBOARD INSTALLATION

- 16** Remove the 2 caps from the end of the bed frame on which you wish to place the headboard. Fasten the (7) headboard to the frame using the screws included with the headboard.

