

Assembly Instructions

Kali Sofa 90/120










resource

WARNING

READ CAREFULLY BEFORE BEGINNING INSTALLATION.

IMPROPER INSTALLATION OF THE PRODUCT MAY CAUSE SERIOUS INJURY

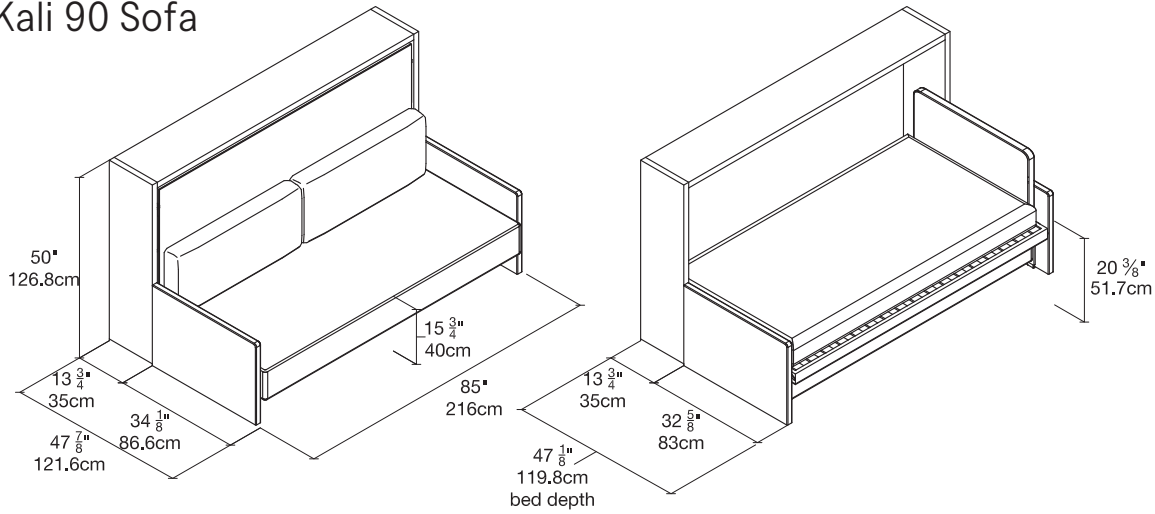
-  Installation must be performed by a licensed contractor or a trained professional, who will ensure proper assembly and installation.
-  Installation must be performed by at least 2 people.
-  Improper installation of this product can cause serious or fatal injury.
-  Improper installation may result in permanent damage to the bed.
-  The wall bed must be secured to the wall in four locations using appropriate hardware. The contractor or installer must select the proper anchoring hardware.
 - The wall anchors included are for solid concrete walls only.
 - Walls with wooden studs: Wood screws must be screwed into wooden studs in the wall.
 - Any other wall composition: A proper wall anchor suitable for the wall's construction must be selected by the contractor or installer.
-  No anchor can be used twice. If the product is removed from the wall, new anchor holes must be drilled and new hardware must be used.
-  All hardware must be properly tightened. No parts of the model should be left loose or unstable.

Warranties for all products purchased from Resource Furniture, LLC are only valid if the product has been properly assembled, installed by a trained professional, and operated in accordance with the assembly instructions.

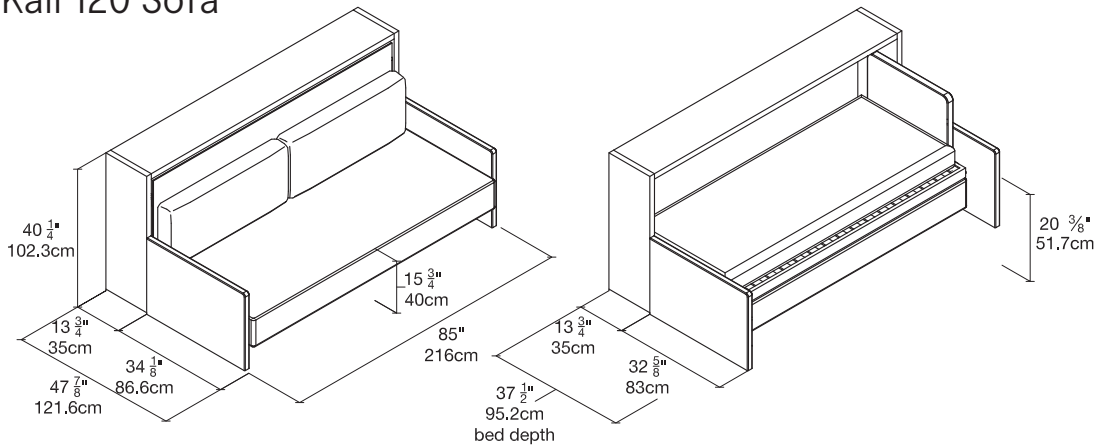
Resource Furniture accepts no responsibility for any damage or injury caused by improper installation.

KALI SOFA 90/120 OVERVIEW

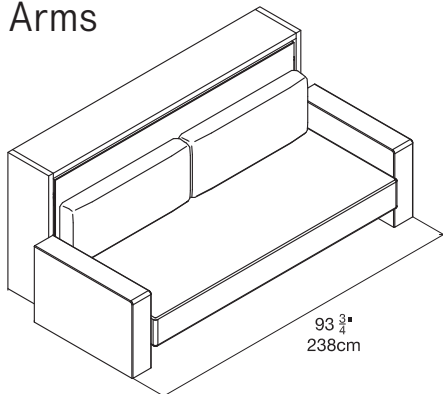
Kali 90 Sofa



Kali 120 Sofa



Wide Arms



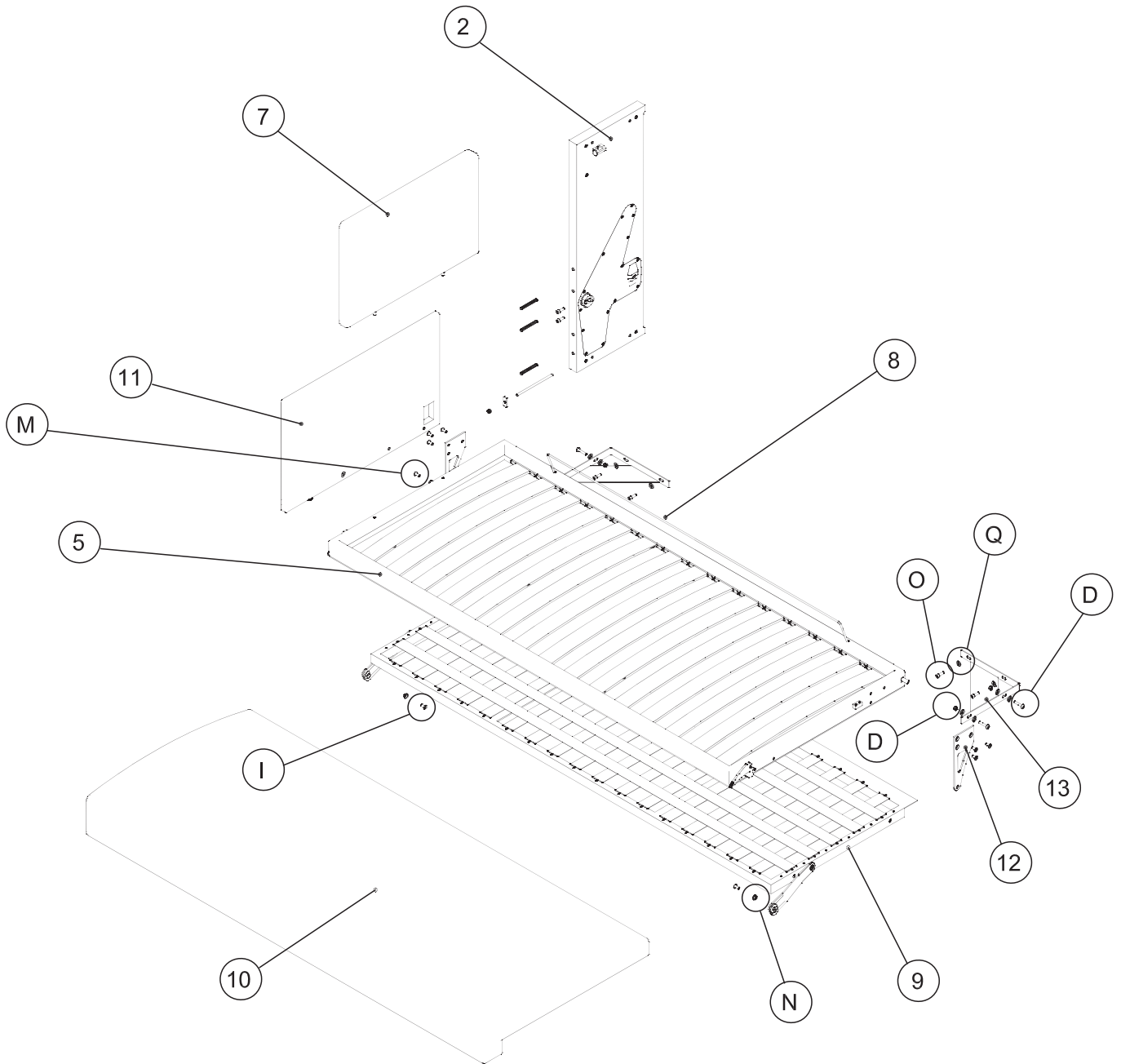
KALI SOFA 90 MATTRESS SPECIFICATIONS

Recommended weight: ~ 36 lbs
 Recommended dimensions: 31 1/2" x 78" x 7"

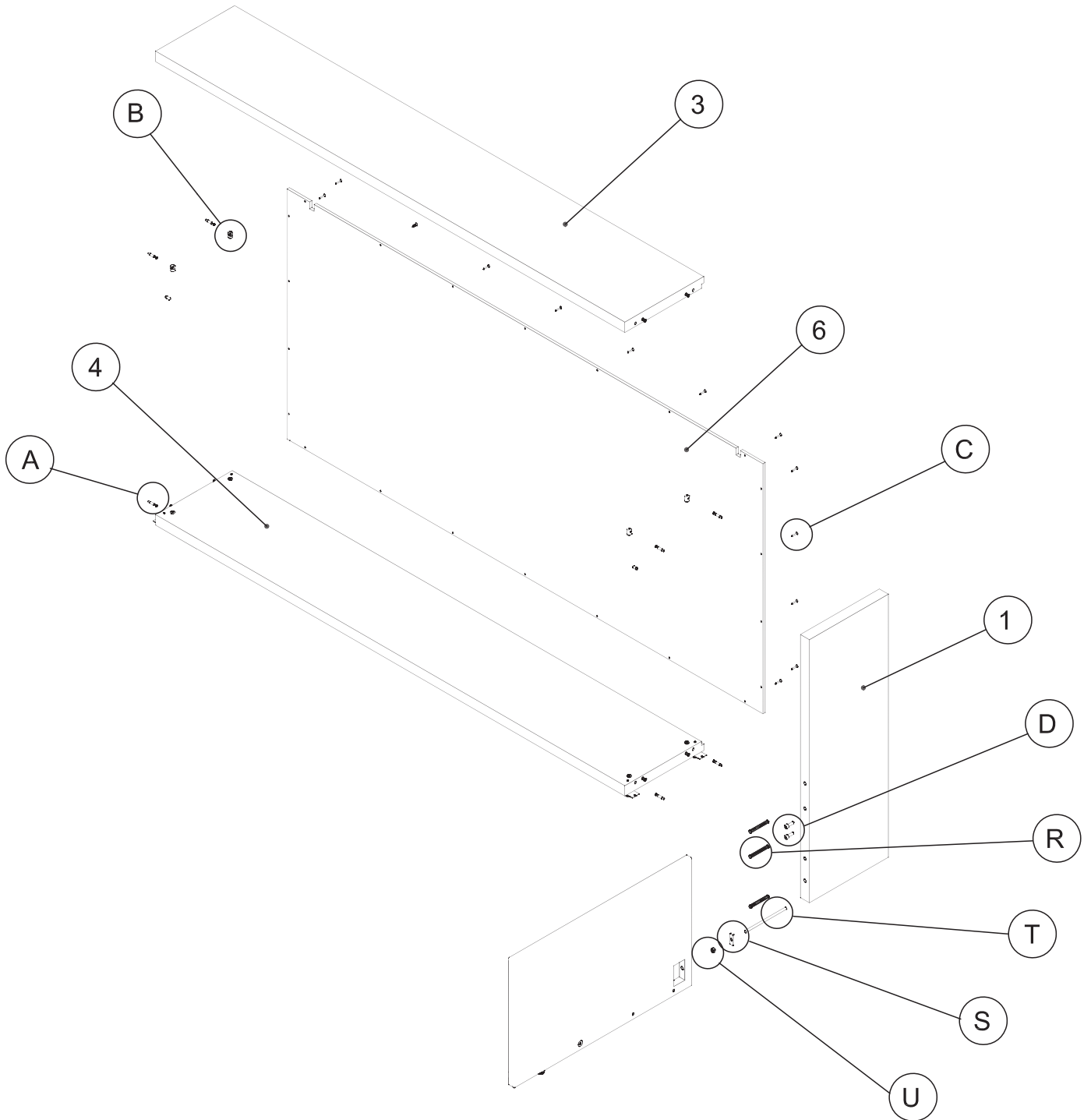
KALI SOFA 120 MATTRESS SPECIFICATIONS

Recommended weight: ~ 50 lbs
 Recommended dimensions: 41" x 78" x 7"

KALI SOFA 90/120 OVERVIEW



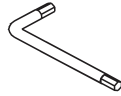
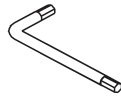
KALI SOFA 90/120 OVERVIEW



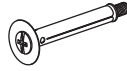
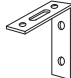
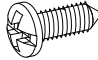
KALI SOFA 90/120 COMPONENTS

CODE	QTY.	COMPONENTS
1	1	Right side panel
2	1	Left side panel
3	1	Top horizontal panel
4	1	Bottom horizontal panel
5	1	Bed frame
6	1	Back panels
7	1	Headboard
8	1	Metal mattress support bar
9	1	Sofa frame
10	1	Padded sofa seat
11	2	Sofa armrests
12	2	Metal plates for sofa frame
13	2	Triangular reinforcement plates

KALI SOFA 90/120 TOOLS

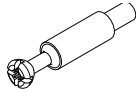
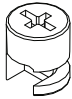

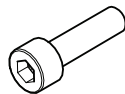
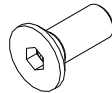

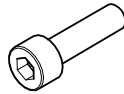
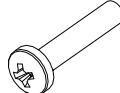



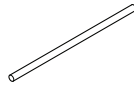

QTY.	DESCRIPTION	
1	Allen wrench 4 MM	
1	Allen wrench 6 MM	

KALI SOFA 90/120 WALL MOUNTING HARDWARE

CODE	QTY.	DESCRIPTION	
WA	4	Wall anchors supplied anchors are for solid concrete walls only	
WA	2	Wall brackets	
WA	4	Bracket screws	

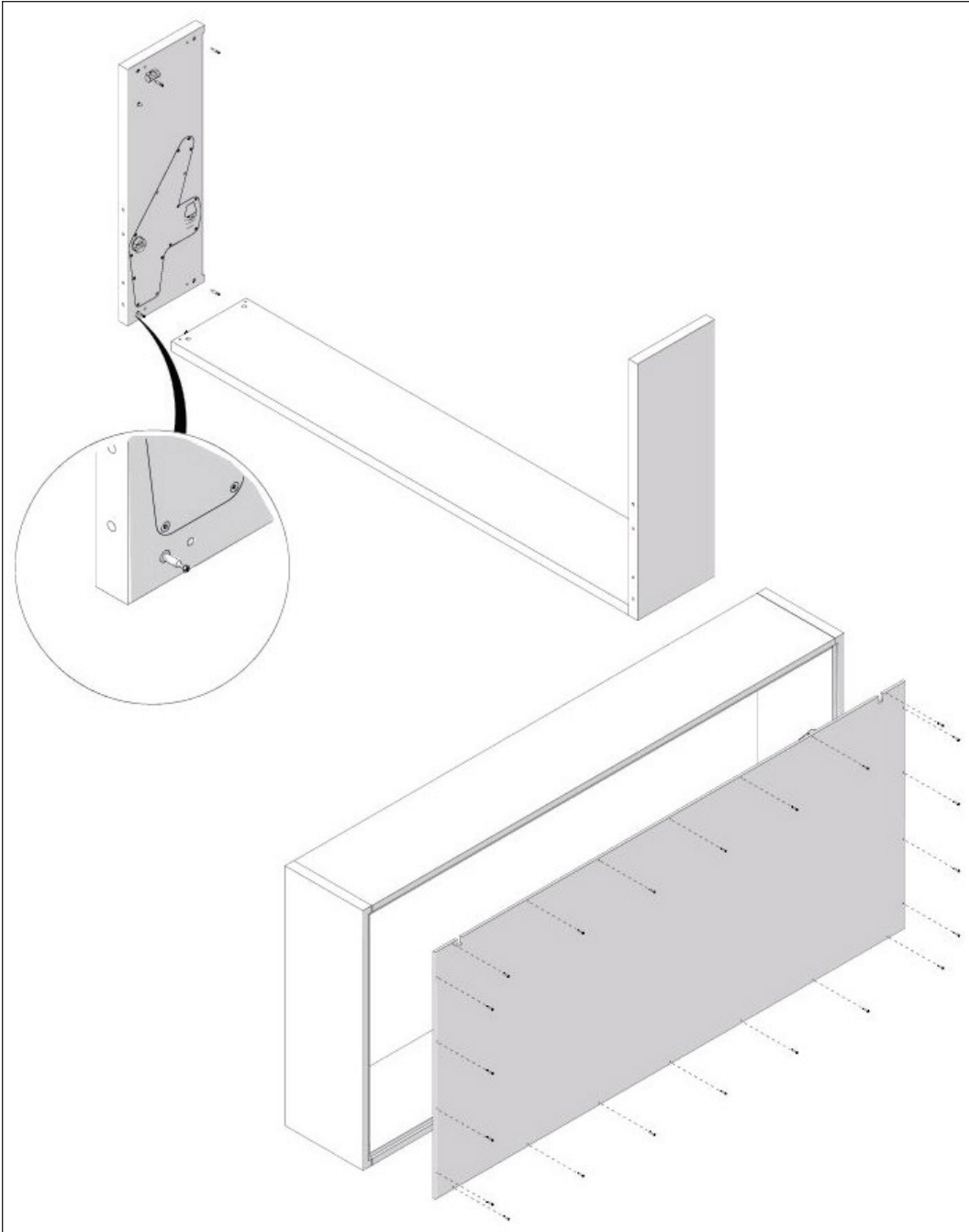
Note: The installer must determine the composition of the wall and appropriate anchors prior to installation. The wall anchors included are for solid concrete walls only.

KALI SOFA 90/120 STRUCTURAL HARDWARE

CODE	QTY.	DESCRIPTION	
A	8	Pins	
B	8	Cam connectors	
C	22	Phillips screw	
D	4	Hex screws - for attaching bed frame to structure	
M	10	Hex Screw - for attaching sofa frame to structure	
N	4	Conical Washer - for attaching sofa frame to structure and sofa armrests	
O	4	Hex Screw - for attaching triangular sofa plates to structure	
P	4	Phillips Screw - for triangular sofa reinforcement plates	
Q	12	Washers	
R	6	Dowels - for attaching sofa armrests to structure	
S	2	Metal Plate - for attaching sofa armrests to structure	
T	2	Threaded Rod - for attaching sofa armrests to structure	
U	8	Hex Nut - for attaching sofa armsrests to structure	

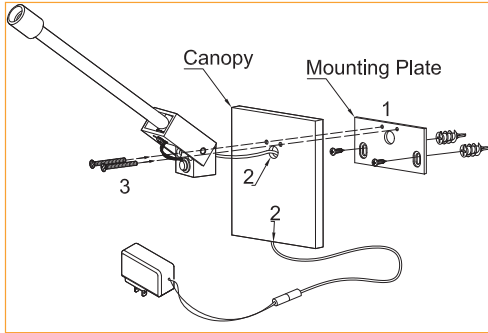
STRUCTURE ASSEMBLY

- 1 Screw 8 (A) connector bolts into the (1) right vertical and (2) left vertical panels. Attach the (3) horizontal top and (4) horizontal bottom panels to the vertical panels by inserting and tightening 8 (B) cams. Attach the (6) back panel to the structure with 22 (C) Phillips screws.

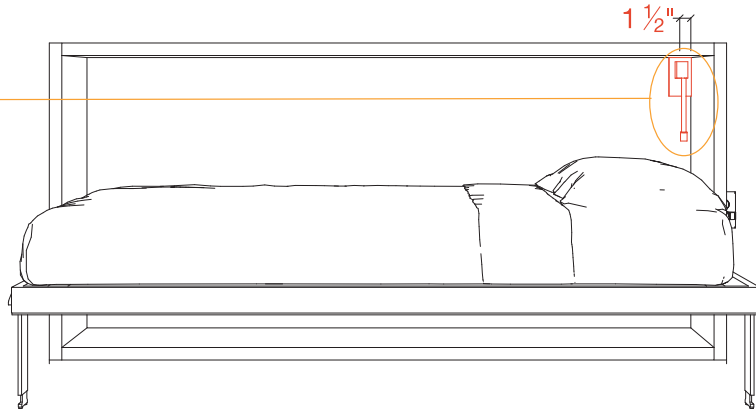


OPTIONAL KALI 90 WAND LIGHTING

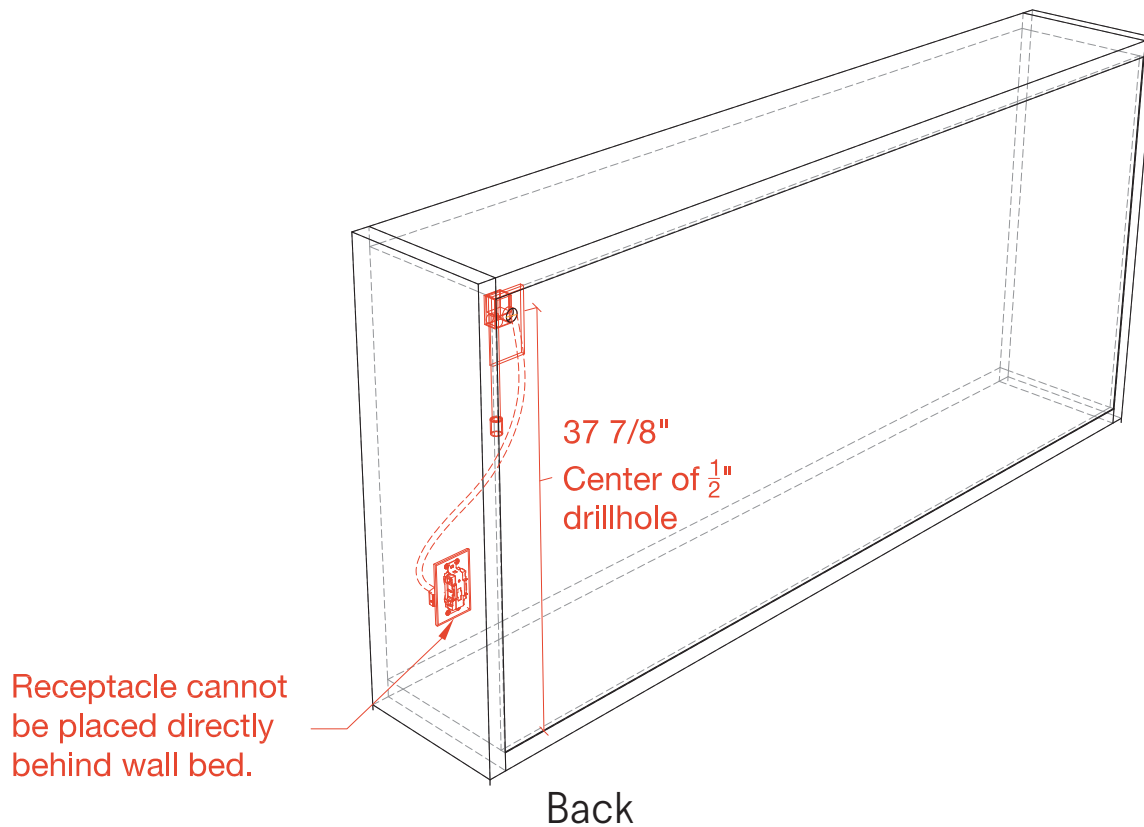
- 2** Drill $\frac{1}{2}$ " hole at $37 \frac{7}{8}$ " measured from the bottom of the structure (from inside) and $1 \frac{1}{2}$ " in from the side. Install mounting Plate with provided wood screws, aligning the $\frac{1}{2}$ " drill holes.



Wand Light Exploded Diagram
Cord Length = 118"

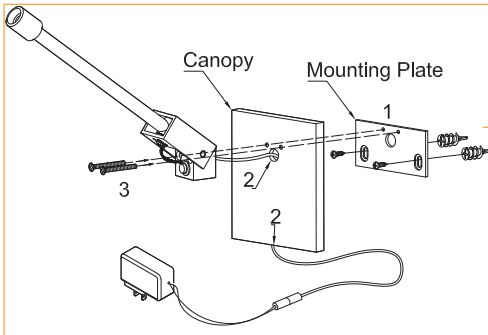


Front



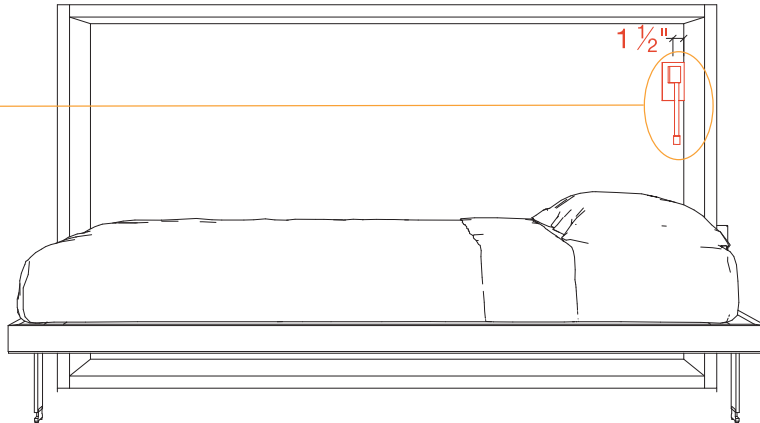
OPTIONAL KALI 120 WAND LIGHTING

- 3** Drill $\frac{1}{2}$ " hole at $37 \frac{7}{8}$ " measured from the bottom of the structure (from inside) and $1 \frac{1}{2}$ " in from the side. Install mounting Plate with provided wood screws, aligning the $\frac{1}{2}$ " drill holes.

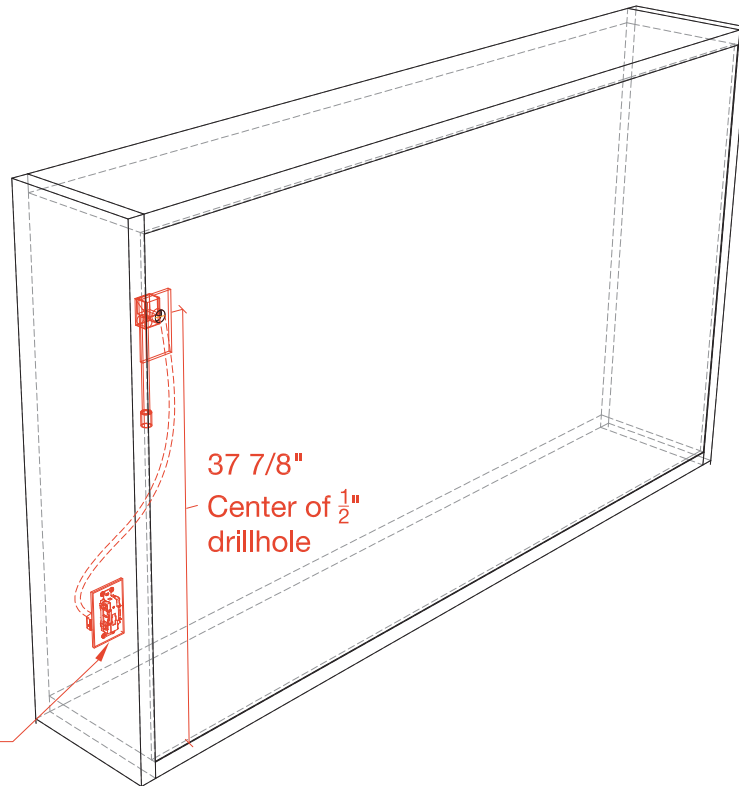


Wand Light Exploded Diagram

Cord Length = 118"



Front

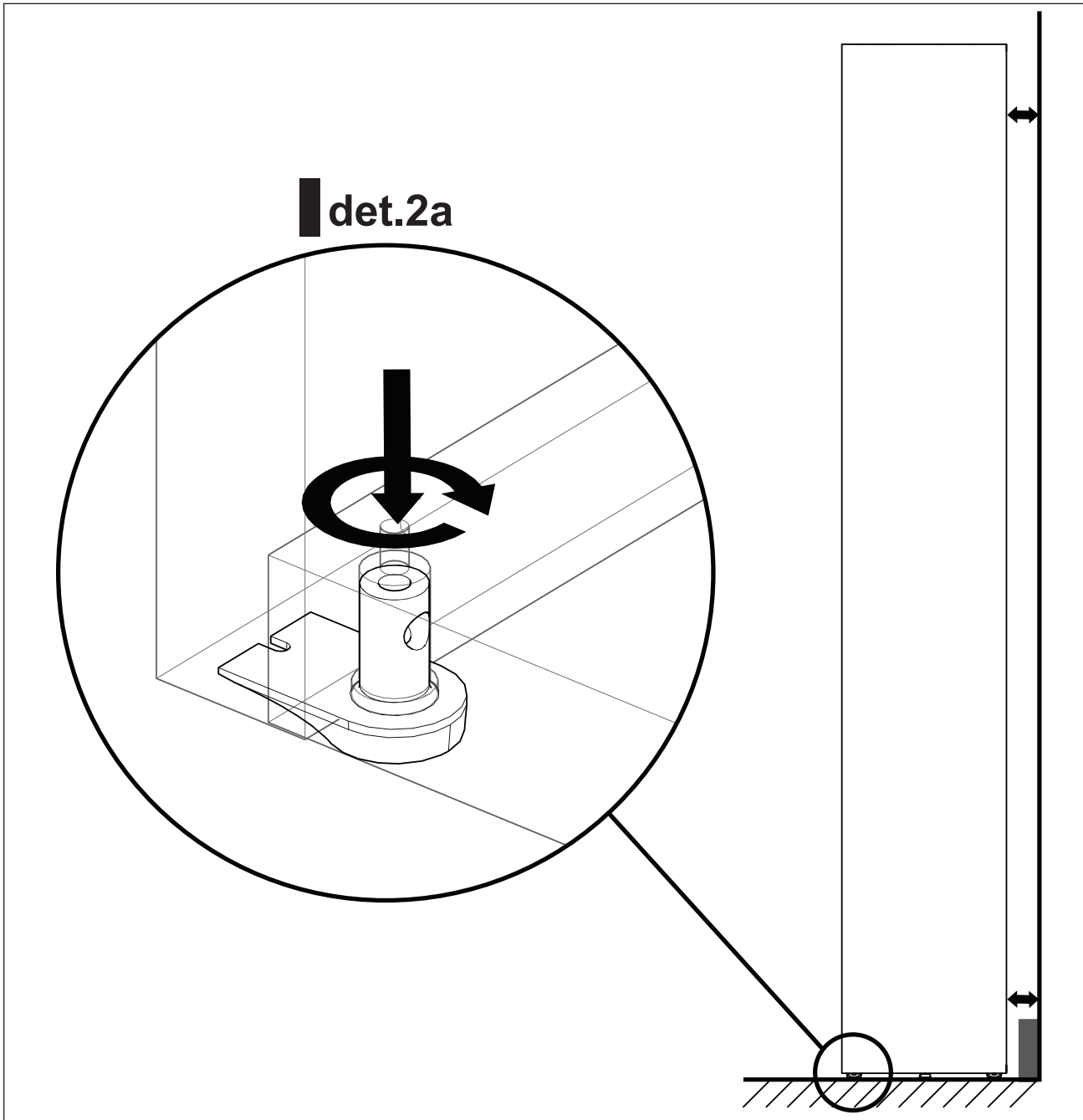


Receptacle cannot be placed directly behind wall bed.

Back

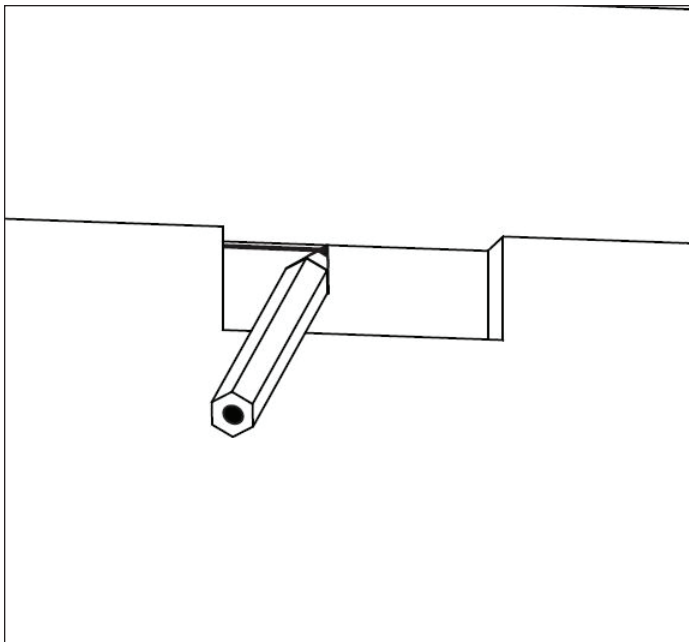
LEVELING THE STRUCTURE

- 4 Ensure that the structure is level and plumb. To compensate for any floor unevenness, use the adjustable feet on the (4) horizontal bottom panel (det. 2a) to level the structure.

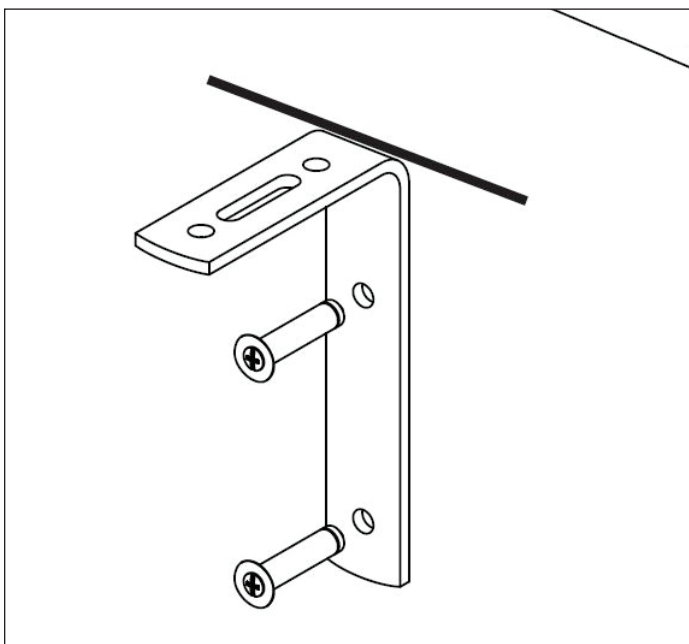


WALL BED ATTACHMENT

- 5** Locate the two open spaces at the top of the 6 back panel. Draw a line through the open space along the top 3 panel as shown in Image 3 to mark where the wall anchors will be placed.

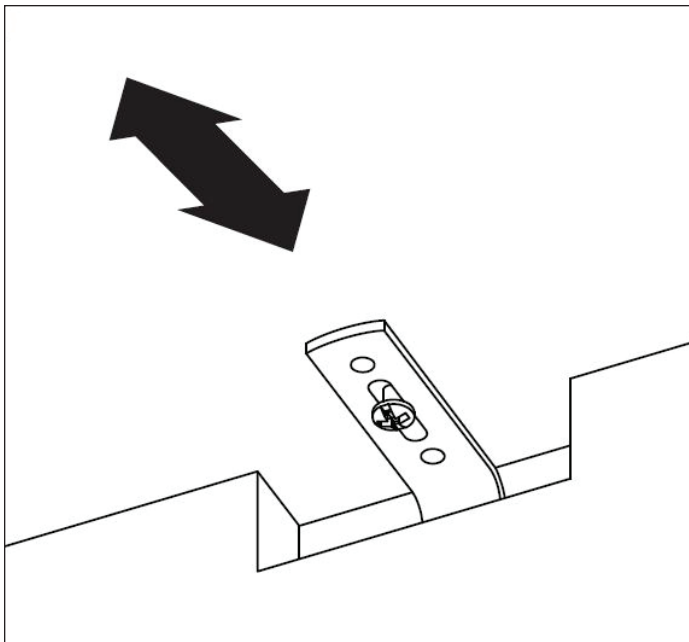


- 6** Move the structure away from the wall and attach the WB wall bracket to the wall using 2 WA wall anchors. The installer must determine the composition of the wall and appropriate anchors prior to installation. The WA wall anchors included are for solid concrete walls only.

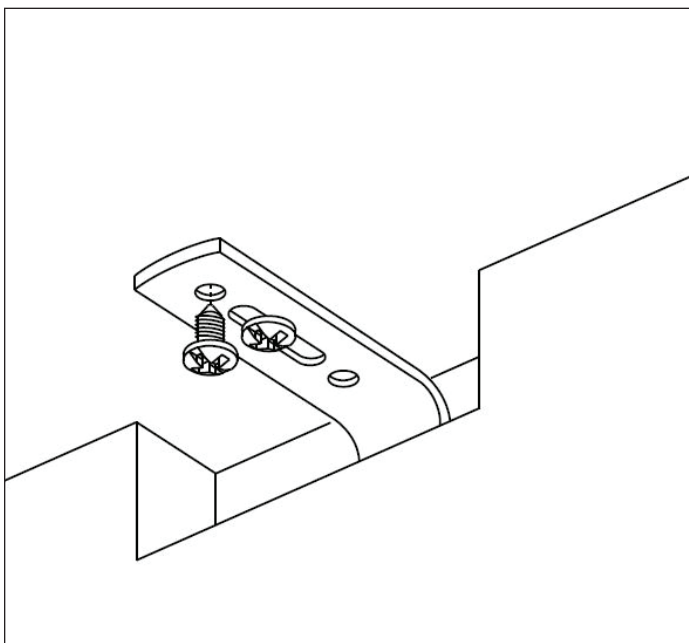


WALL BED ATTACHMENT

- 7** Re-position the structure against the wall, ensuring that the 2 wall brackets pass through the open spaces in the back panel. Attach the bracket to the bottom of the top horizontal panel by screwing 1 (WA) screw into each bracket as shown. Do not fasten completely.

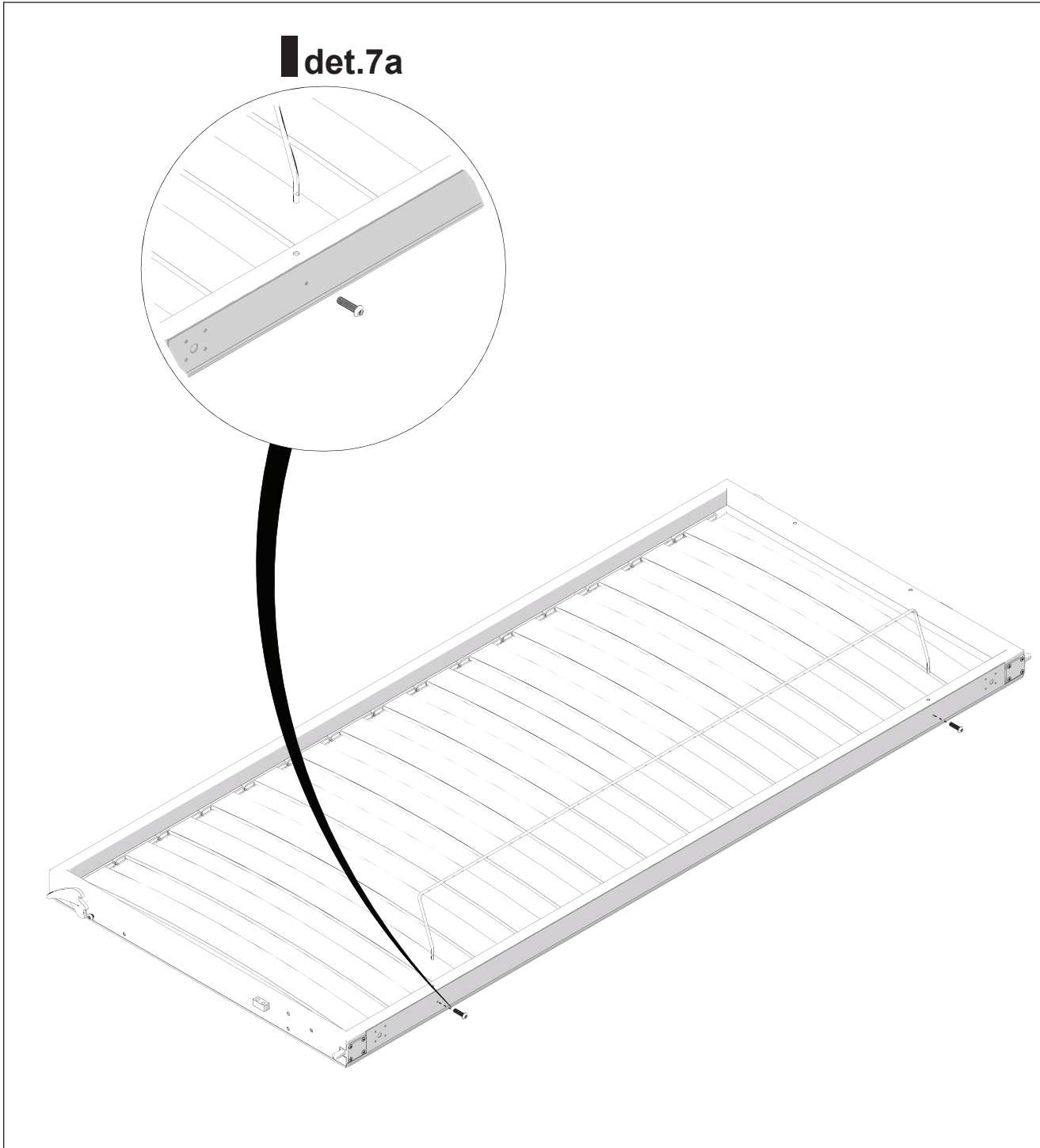


- 8** Adjust the position of the structure, ensuring that it is level and plumb. Secure each bracket to the structure by fastening the screws to the top panel completely, using an additional WA screw.



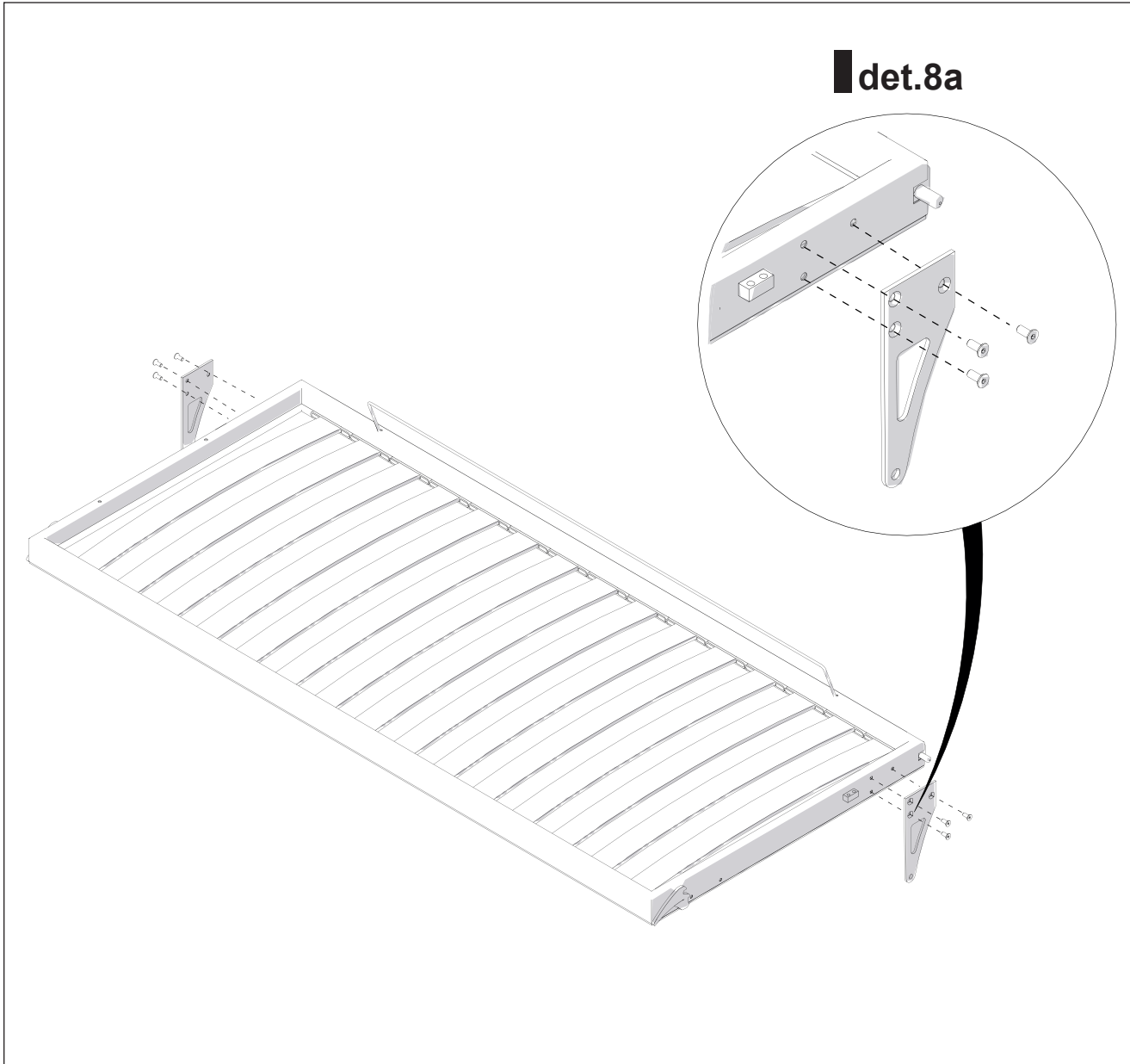
BED BASE INSTALLATION

- 9** Fasten the 8 mattress support bar to the 5 bed frame using the 5MA x 20 screws attached to the bar. Mattress bar must be installed before the bed base is inserted into the structure.



SOFA FRAME INSTALLATION

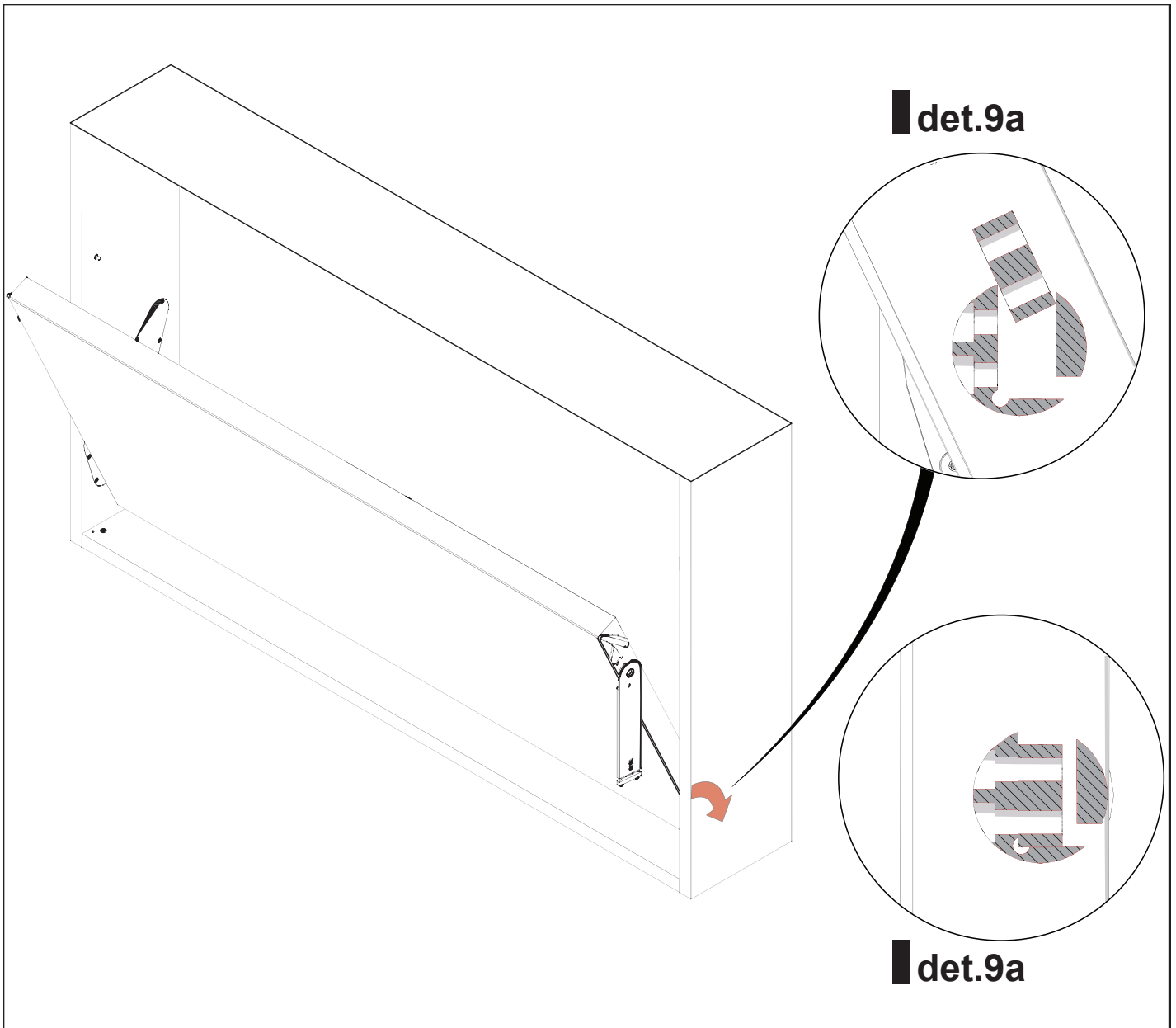
10 Attach the 2 (12) metal plates to the (5) bed frame with 6 (M) hex screws, as shown below.



BED FRAME INSTALLATION

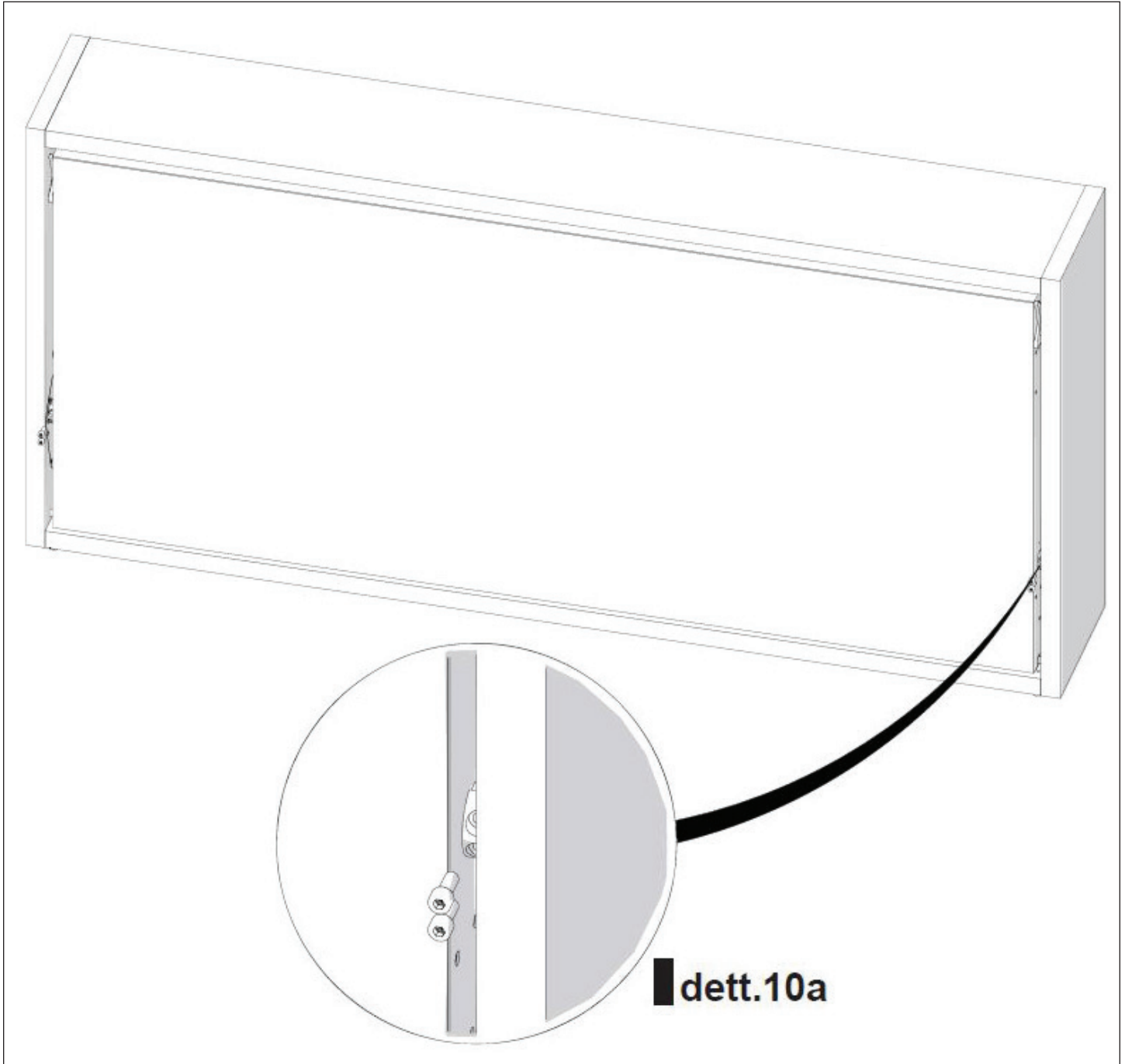
11

Position and insert the (5) bed frame within the structure as shown in det. 9a.



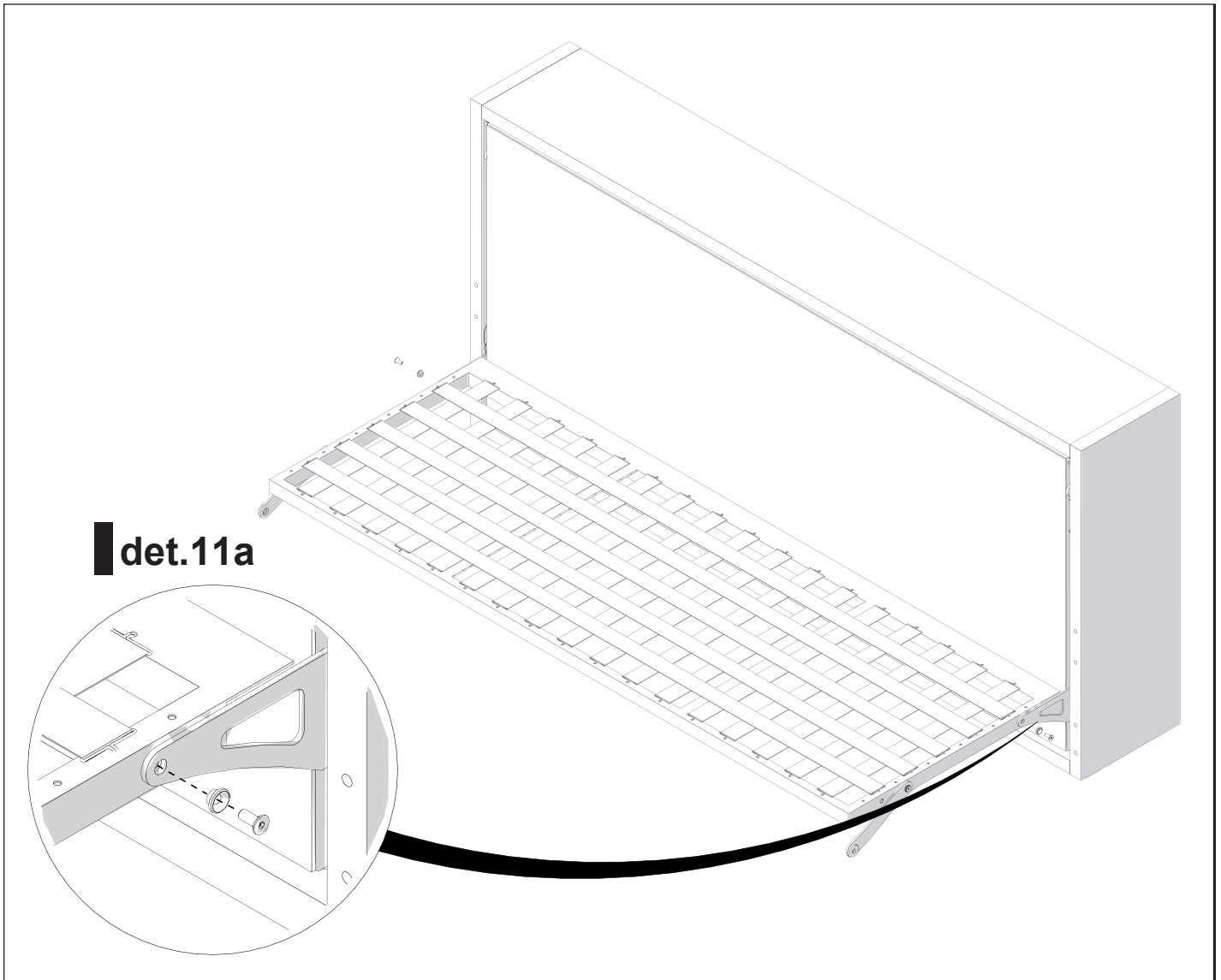
BED FRAME INSTALLATION

- 12 Close the lower bed and fasten 2 D hex screws into the mechanisms on both vertical panels, as shown in det. 10a.



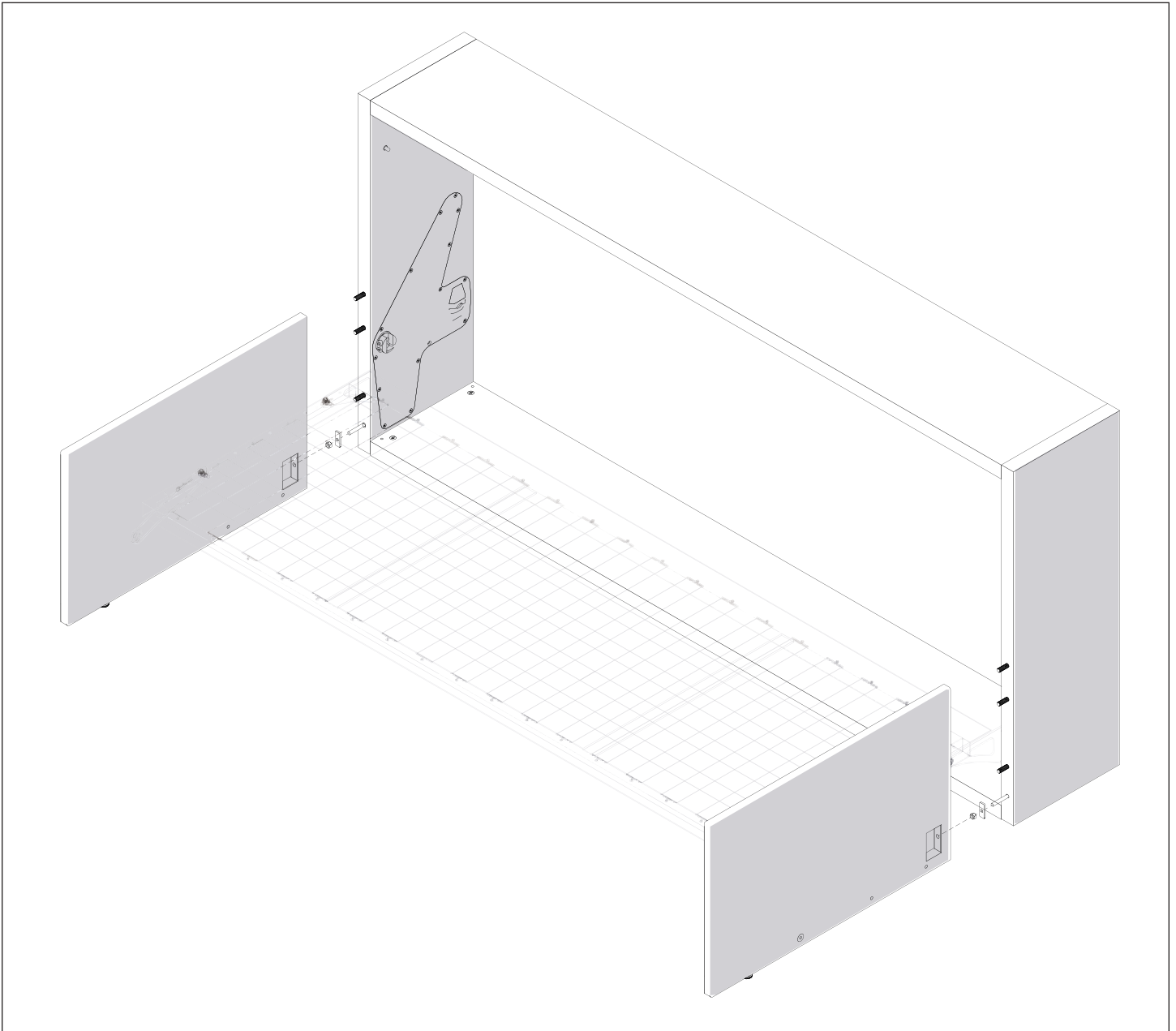
SOFA BASE INSTALLATION

- 13** Ensure that the upper and lower bed frames are locked in their upright positions. Align the holes at the back of the (9) sofa frame with those on the (12) metal plates. Secure into place by using 2 (M) hex screws and 2 (N) conical washers, as shown in det. 11a.



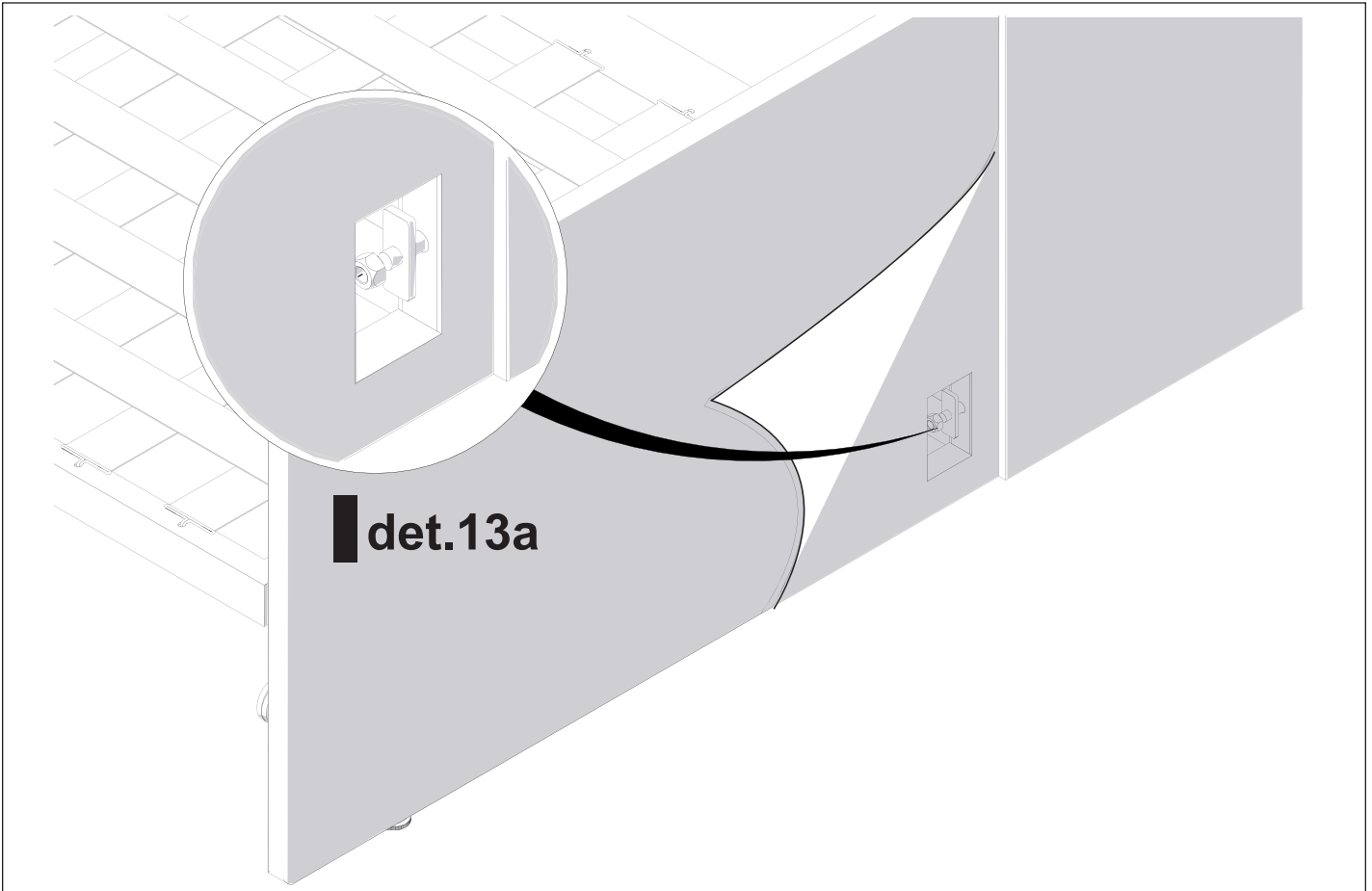
SOFA BASE INSTALLATION

- 14** Insert 6 (R) dowels into the top three holes on both the left and right vertical panels. Insert and secure the (T) threaded rods into the lowest hole on both the left and right vertical panels. Position the 2 (11) armrests in front of the left and right panels, lining up the holes on the armrests with the dowels and rods.



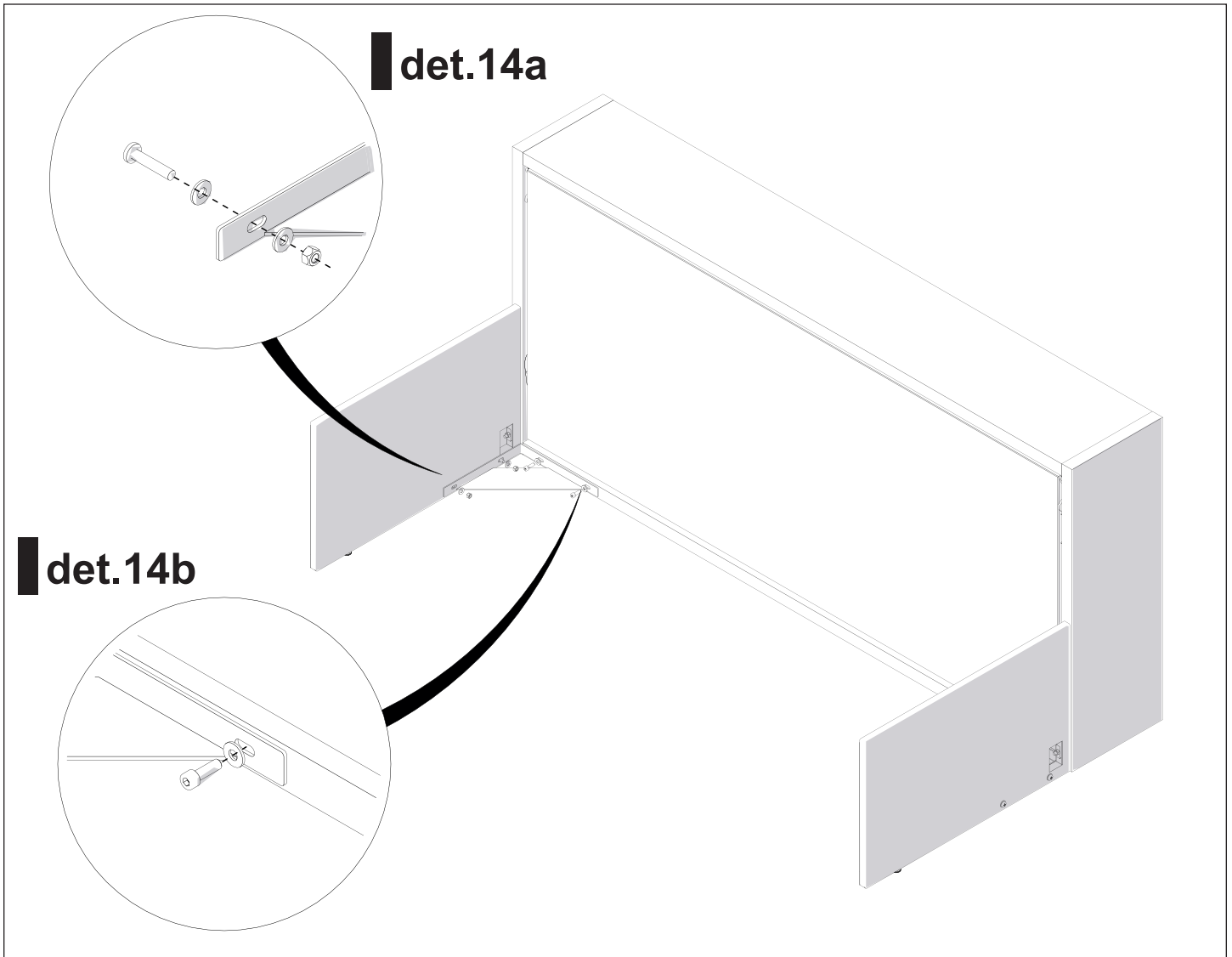
SOFA BASE INSTALLATION

- 15** Lift the fabric on the outside of the armrest to access the (T) threaded rods. Attach the (S) plate and (U) nut to each dowel, tightening firmly.



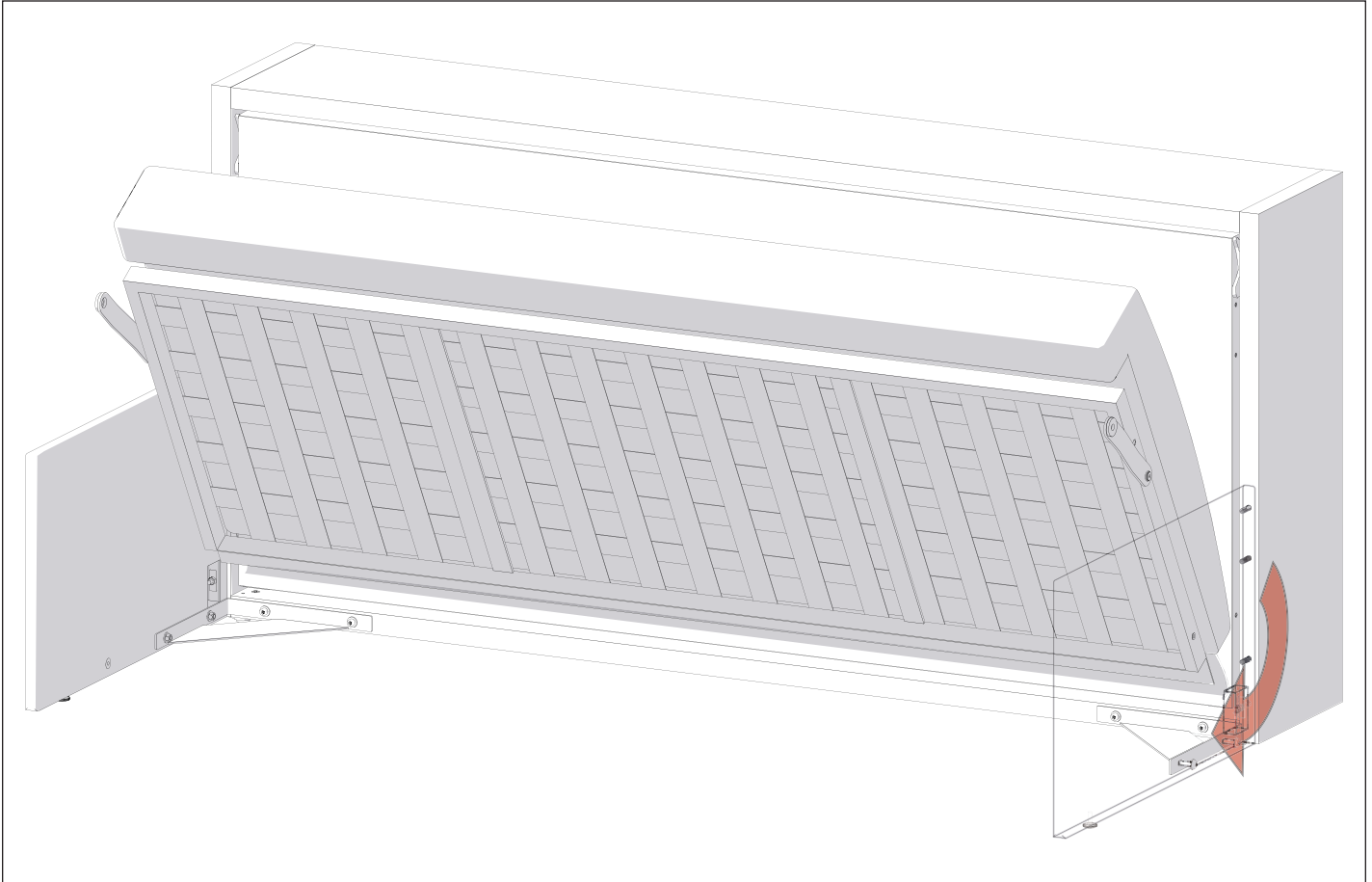
SOFA BASE INSTALLATION

- 16** Attach the 13 triangular reinforcement plates to each armrest using 2 P screws, 2 U nuts, and 5 Q washers, like shown in det. 14a. Then, secure the triangular reinforcement plates to the horizontal bottom base panel using 2 O screws and 2 Q washers, like shown in det. 14b.



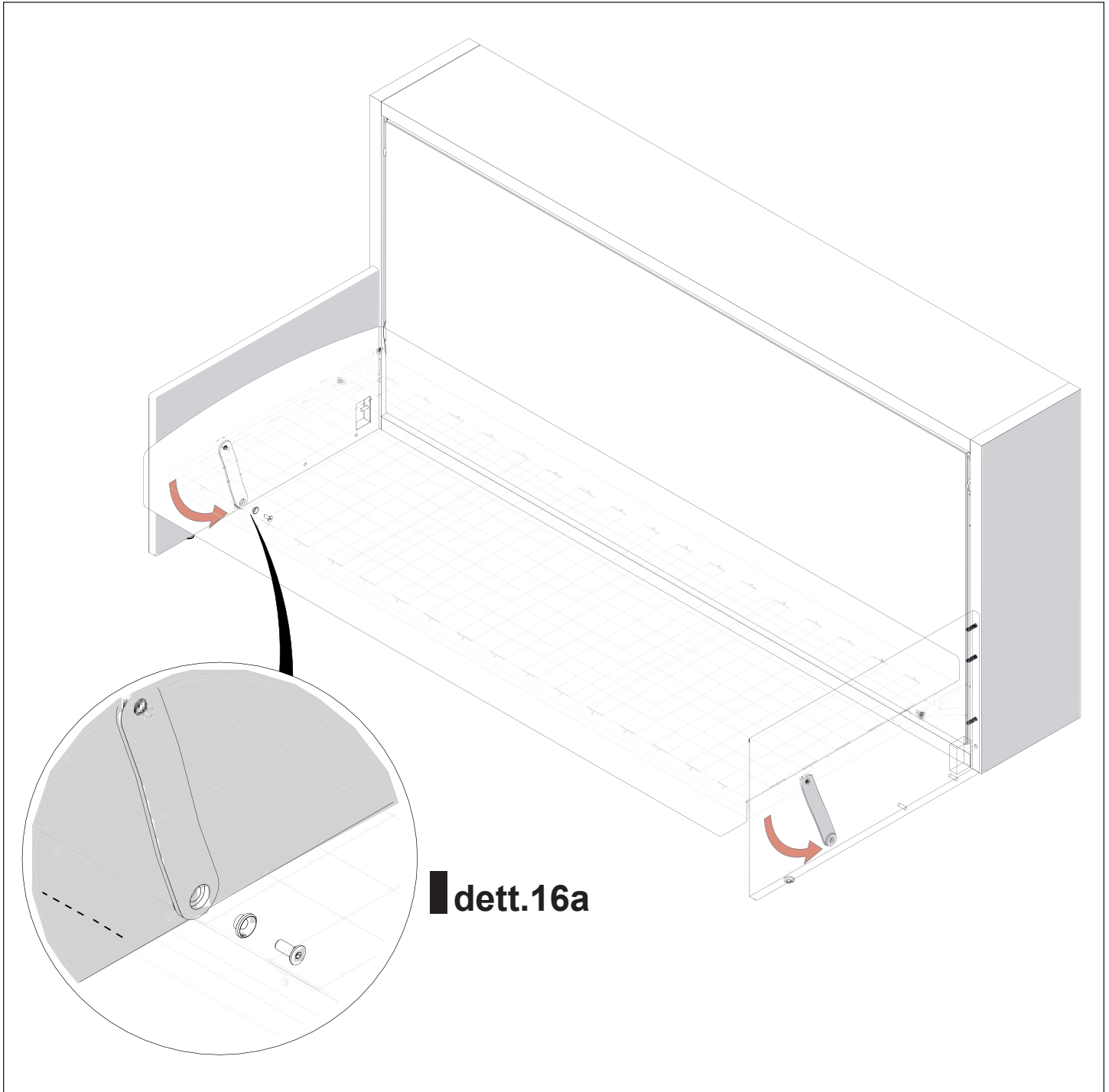
SOFA BASE INSTALLATION

- 17 Place the (10) padded seat cushion on the sofa frame, wrapping the excess fabric around the back of the bed frame and fastening with velcro.



SOFA BASE INSTALLATION

- 18 Secure the levers at the front of the sofa frame to the armrests using 2 (M) hex screws and 2 (N) conical washers.



HEADBOARD INSTALLATION

- 19 Remove the 2 caps from the end of the bed frame on which you wish to place the headboard. Fasten the (7) headboard to the frame using the screws included with the headboard.

