

# Assembly Instructions









LGM 2.0 BOOK -  
TILT UP TABLE /  
FREESTANDING TABLE



resource

# WARNING

READ CAREFULLY BEFORE BEGINNING INSTALLATION. IMPROPER INSTALLATION OF THE PRODUCT MAY CAUSE SERIOUS INJURY. KEEP THIS INFORMATION FOR FUTURE REFERENCE

-  Installation or any further adjustments must be performed by a licensed contractor or a trained professional, who will ensure proper assembly and installation.
-  Installation must be performed by at least 2 people.
-  Improper installation of this product can cause serious or fatal injury. Improper installation may result in permanent damage to the bed.
-  The wall bed must be secured to the wall in FOUR locations using appropriate hardware. The contractor or installer must select the proper anchoring hardware based on the wall material. It is necessary to ensure that wall anchors of the bed can withstand forces generated. The value of the holding power (Fh) of each anchor should be 630 Newtons (142 lbf).
-  All hardware must be properly tightened. No parts of the model should be left loose or unstable.
-  In case of re-assembly or re-installation of the product, DO NOT USE the same holes drilled for original installation. Rather, the anchors, plates and plugs selected by the re-installer must be placed in a different, secure position. Never remove wall attachment screws without first removing the mattress, bed frame and hydraulics/pistons.
-  It is the owners responsibility to periodically inspect the bed to make sure that the anchors are strong and show no signs of weakening (for example if you feel that the anchor screws are moving when pulling on the cabinet of the bed). Do not use the wall bed if the cabinet moves and do not open the bed if you are not sure that it is securely attached to the wall, because it could tip over causing serious injuries. When in doubt about the anchoring, please stop using the bed immediately and have it inspected by a professional.
-  It is recommended to assess the structural integrity of the floor and wall to make sure that the wall anchoring devices can withstand the forces generated. More specifically, before installing the wall bed, it is necessary to verify that the floor and the wall on which you want to install the bed are flat and have no structural damage that could affect the installation of the wall bed or its anchoring to the wall. Do not install the bed on weakened or rotten structures.

Warranties for all products purchased from Resource Furniture, LLC are only valid if the product has been properly assembled, Installed by a trained professional, and operated in accordance with the assembly instructions. Resource Furniture accepts no responsibility for any damage or injury caused by Improper Installation.

# LGM 2.0 BOOK OVERVIEW

## GENERAL TECHNICAL INFORMATION

LGM 2.0 Book is a rotating wall bed featuring shelving and optional fixed or freestanding table on the front and a fold-down queen bed on the back. The hinged bed mechanism uses gas springs to assist in folding the bed up and down. The slatted bed base is equipped with integrated nightstands that open with a simple push of a touch latch. Available with optional integrated LED lights and USB ports. This transformable piece of furniture can be ordered alone or paired with any of our modular boiserie panels, cabinets, or closets to create a unique storage wall, perfect for any study or guest room.

**Rotating element:** provided with bar for upper and lower locking, for the line-up of the front.

**Table:** cm W155 x D 66 x H 72/74. - W 61" x D 26" x H 28 3/8" / 29 3/8"

**Bed base:** iron tubular, epoxy powder coating, bentwood multilayer beech slats fixed to the frame with nylon/rubber caps, height adjustable feet. Slatted bed base Kg 35/77lbs.

**Structure:** in wood, in the several available finishes, with adjustable nylon feet.

**Mattress:** cm 150x195x18/59"x 77" x 7" - weight Kg 29-32/64-70lbs.

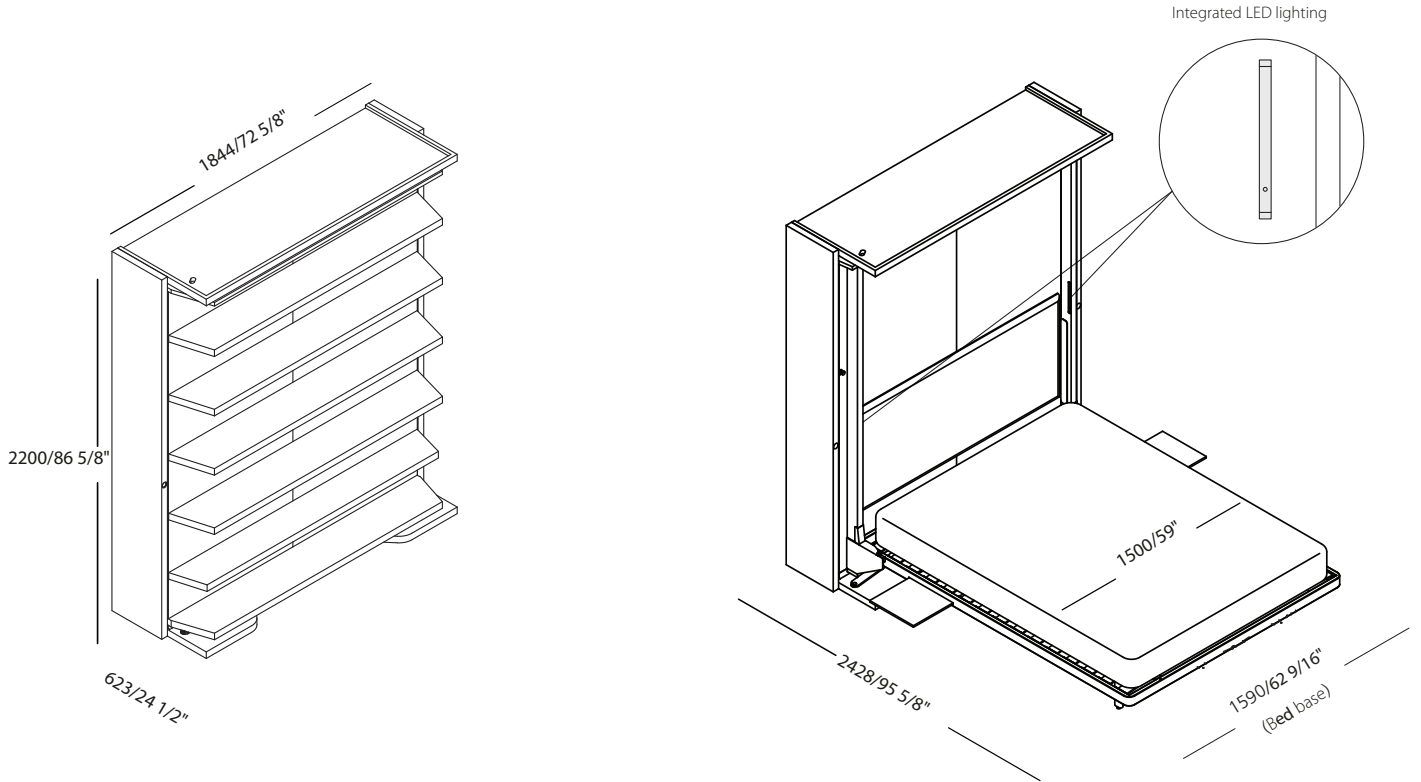
**Belts:** adjustable nylon belts to hold mattress, with black nylon release buckles.

**Maximum liftable load:** (including mattress and covers set): kg 70/154lbs

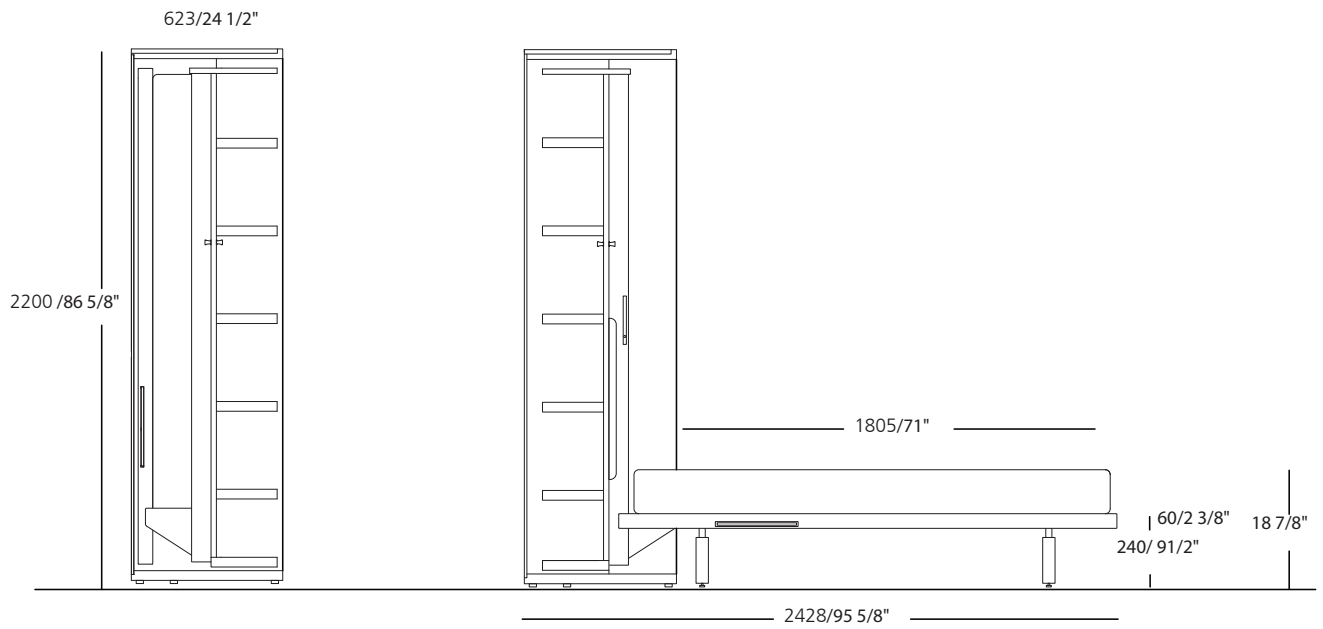
**Load for each shelf:** Kg 10/22lbs equally distributed.

# LGM 2.0 BOOK OVERVIEW

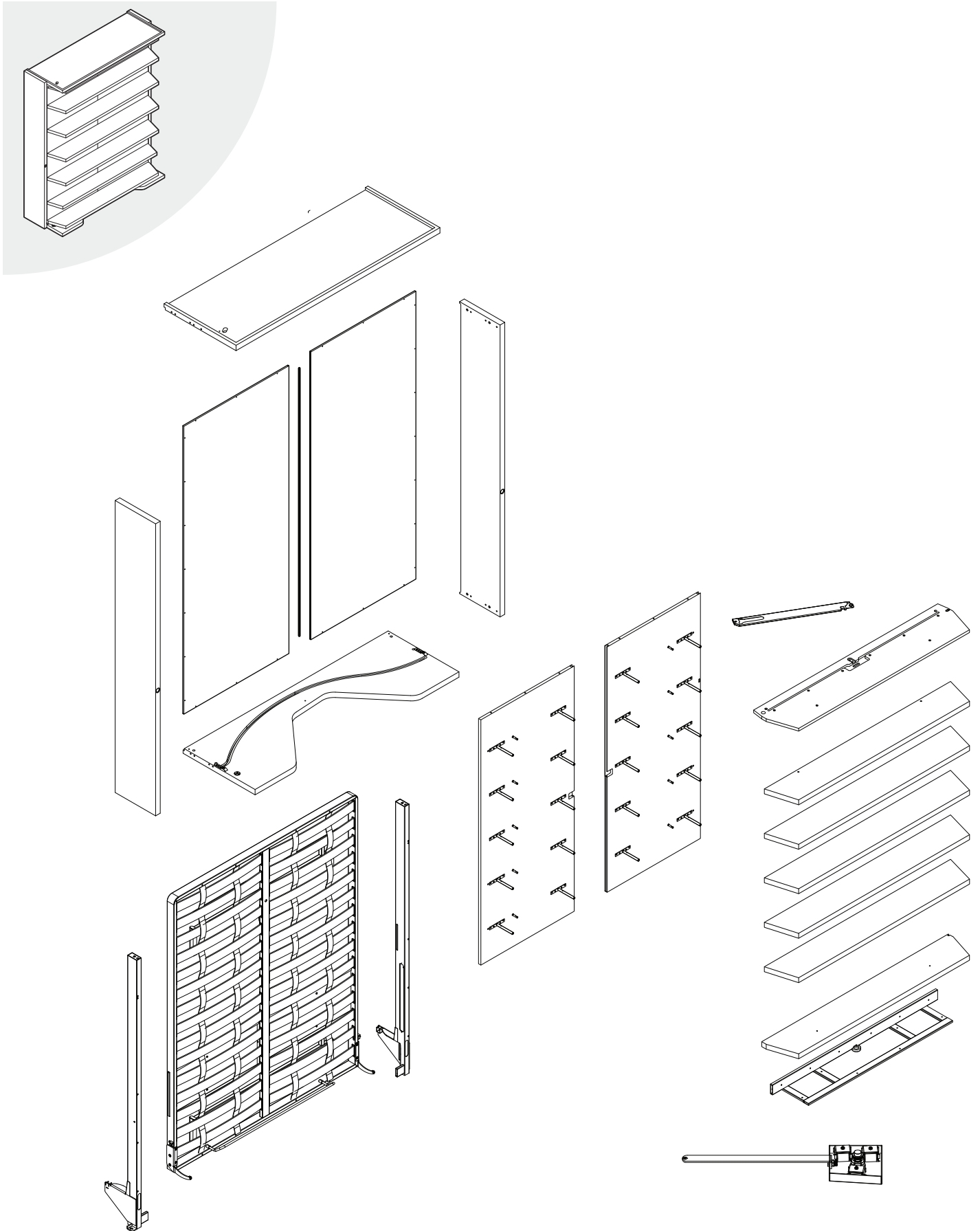
Axonometric view



Section



# LGM 2.0 BOOK OVERVIEW - MAIN COMPONENTS



# LGM 2.0 BOOK LED LIGHTS

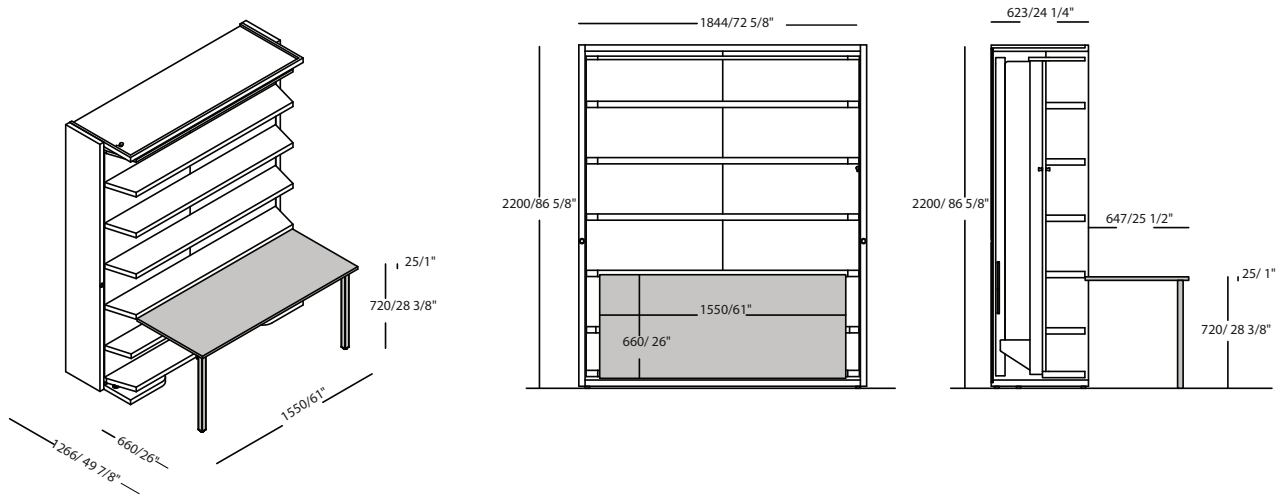
## LED LIGHTING

Integrated in the side panel of the wallbed, with opaline polycarbonate cover, in compliance with EN62471 regulation, belonging to "risk free" category, maximum safety warranty with no limit.

LED 3000°k 1,43 W IP40 108/118 Lm/W EEC A+ / Dimensions : mm W 12 x D 1 x H 200 / W 3/8" x D 3/8"x H 8"



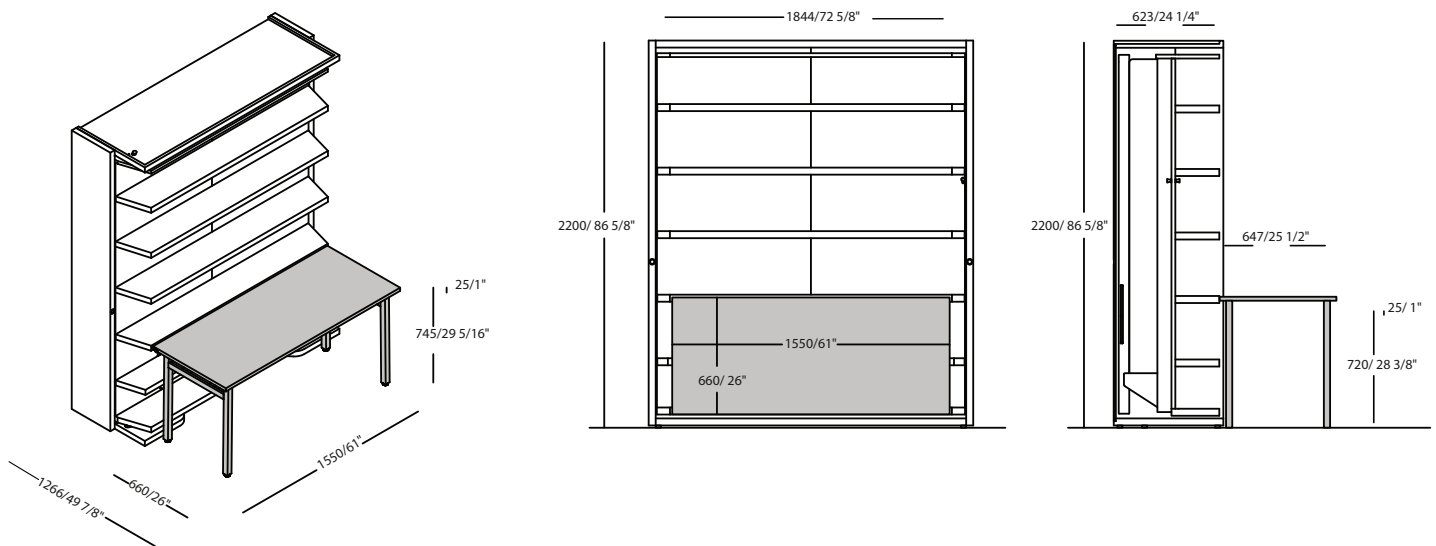
**TECHNICAL FEATURES OF HINGED FOLD-DOWN TABLE (optional)** Fold-down desk provided with legs to be closed through gas springs. Payload : 35/77lbs kgs evenly distributed.



## TECHNICAL FEATURES OF FREESTANDING FOLD-DOWN TABLE (optional)

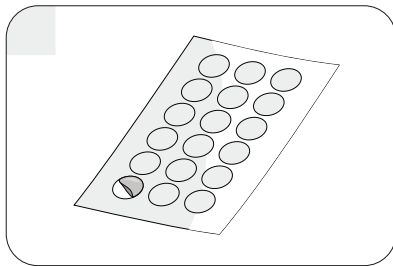
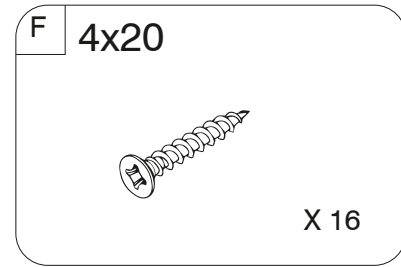
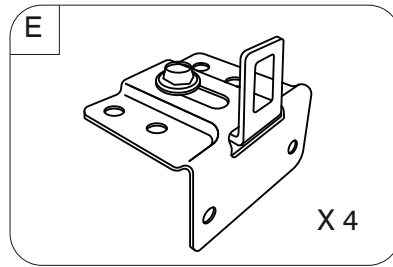
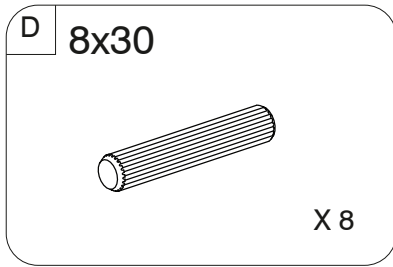
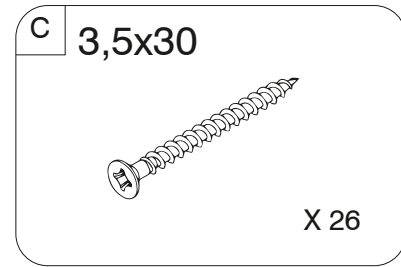
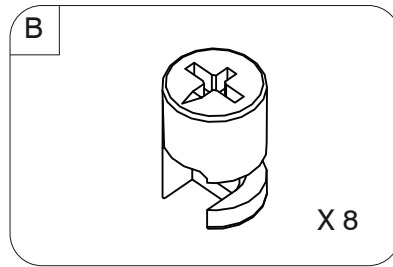
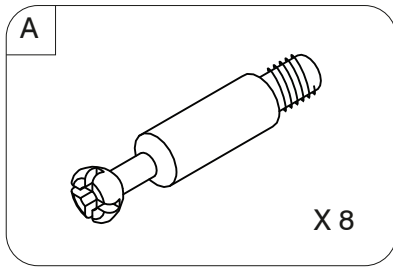
Fold-down desk provided with metal legs to be closed through gas springs, unlocking mechanism with an integrated safety device.

Payload : 35 kgs / 77lbs evenly distributed.

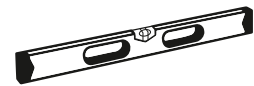
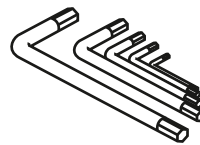


**Note:** Cannot be installed on carpets or area rugs, if using an area rug it should be placed a minimum of 18 1/2" from front edge of the LGM.

# LGM 2.0 BOOK HARDWARE

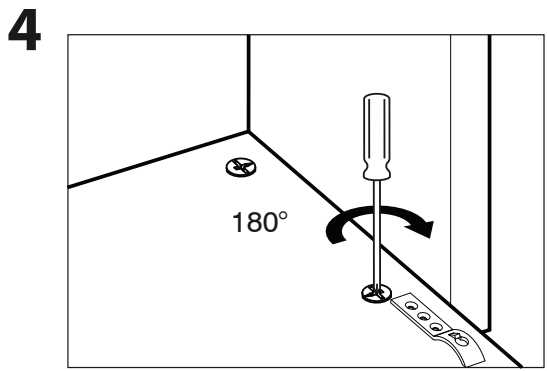
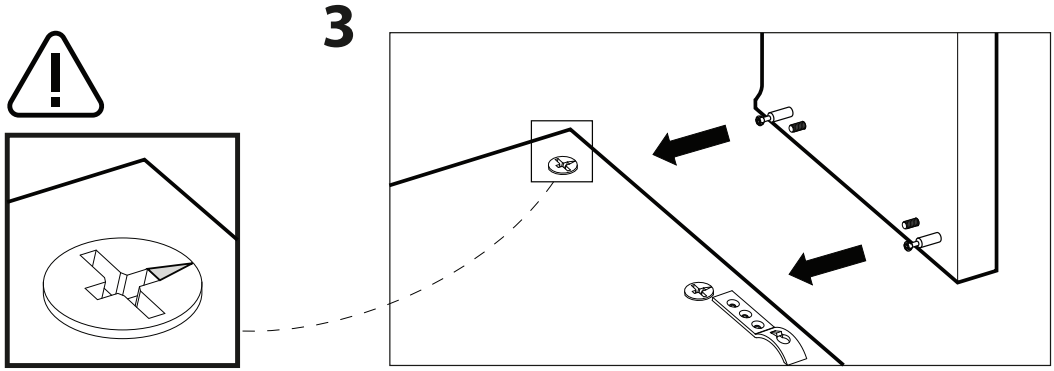
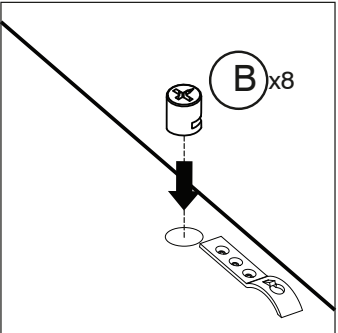
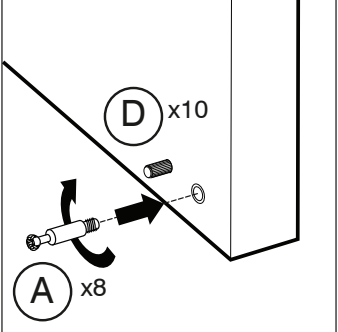
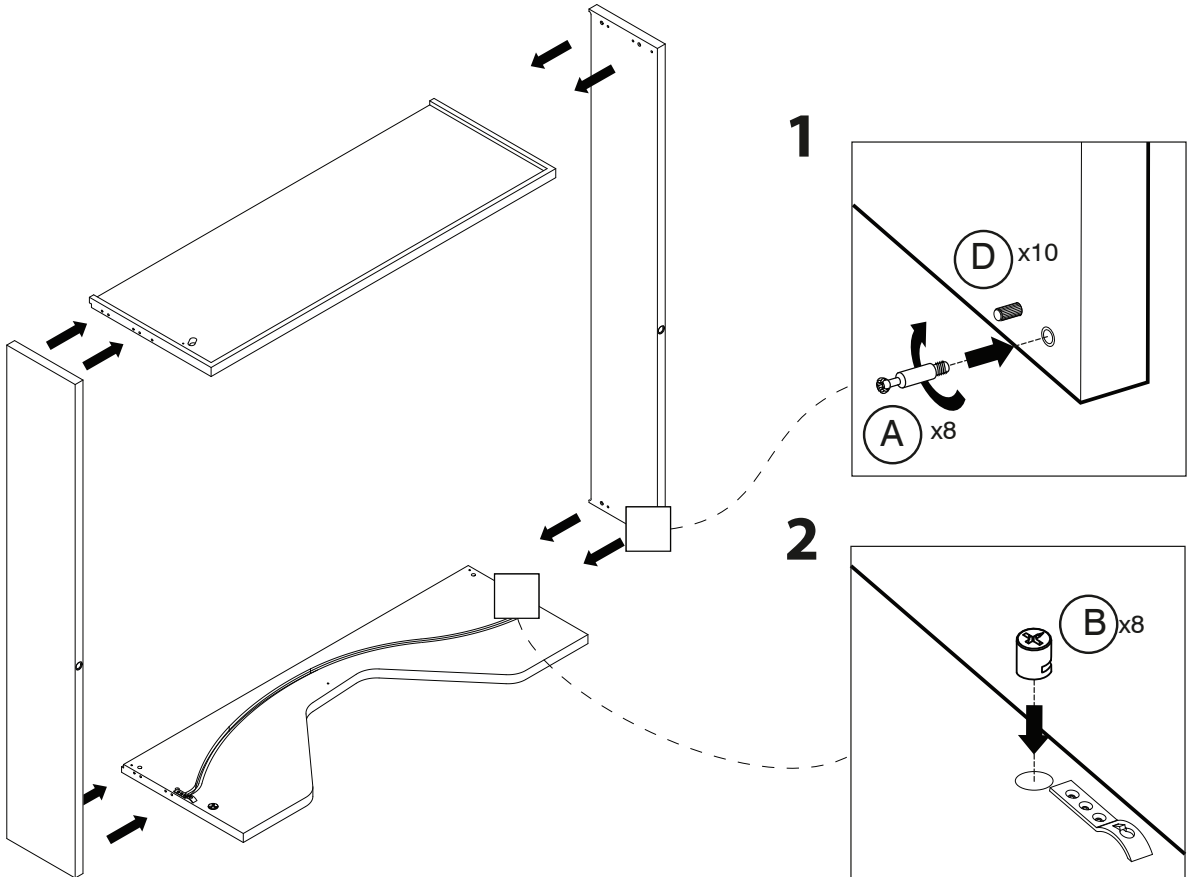


# LGM 2.0 BOOK TOOLS



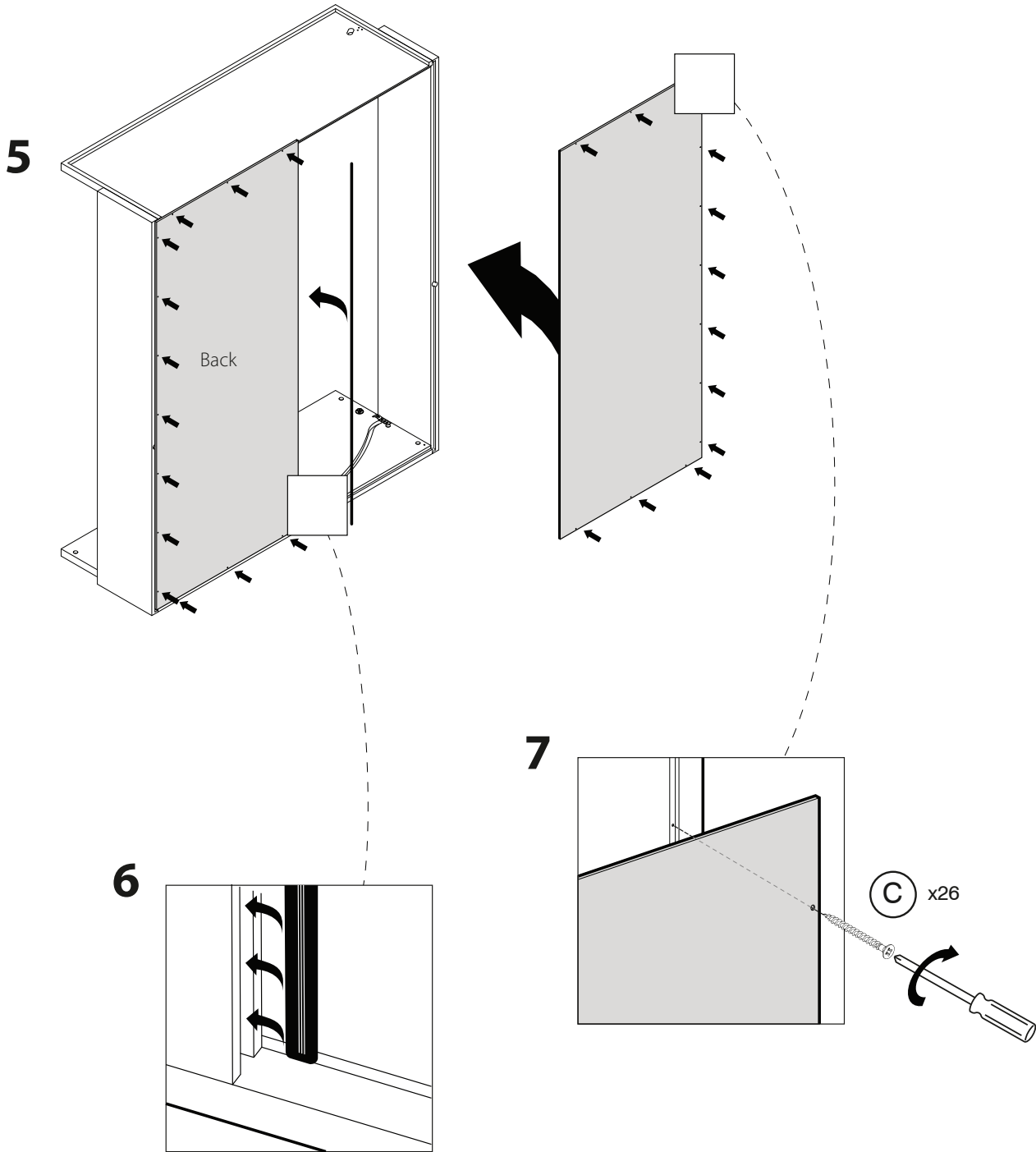
2 PEOPLE REQUIRED

# STRUCTURE ASSEMBLY

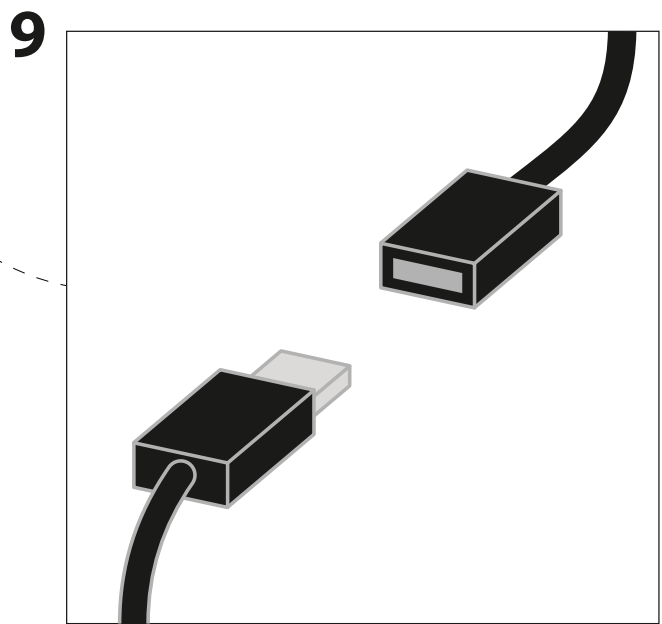
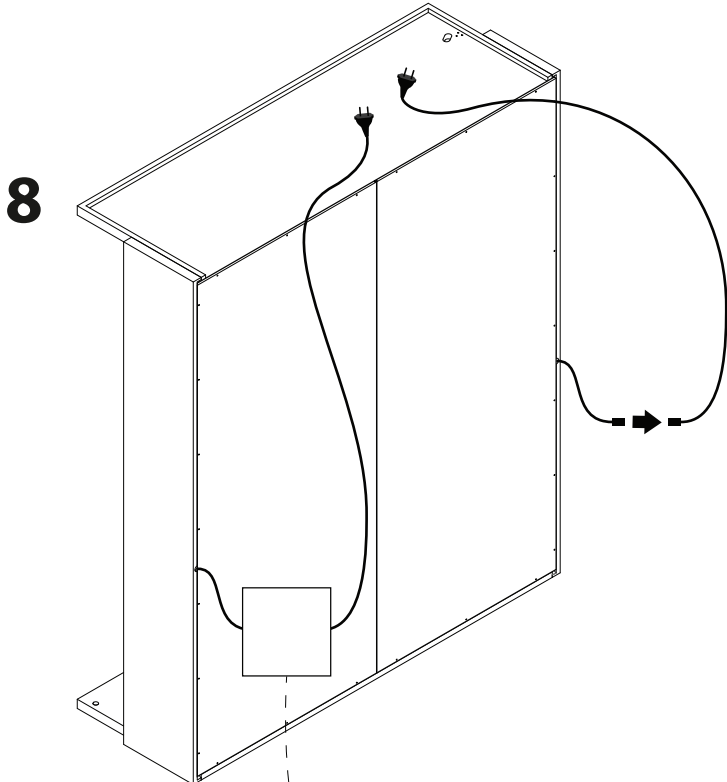




# STRUCTURE ASSEMBLY



# STRUCTURE ASSEMBLY

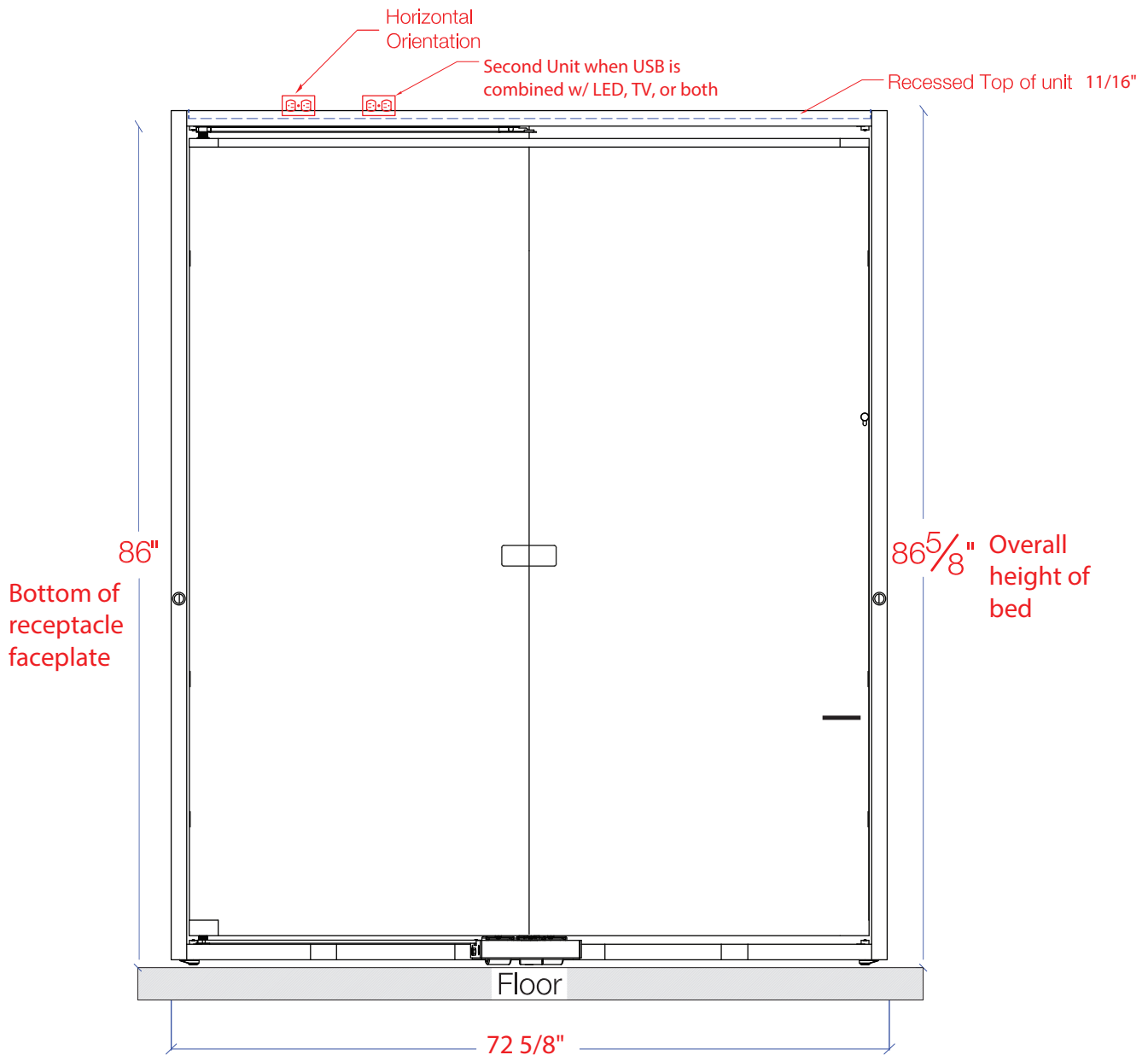


# LGM 2.0 BOOK

## Suggested location for electric receptacle

Electric receptacles **CANNOT** be placed in side the area of the bed & mattress due to fire hazard issues. The receptacle should be mounted horizontally with the bottom of the receptacle faceplate at 86" from the floor.

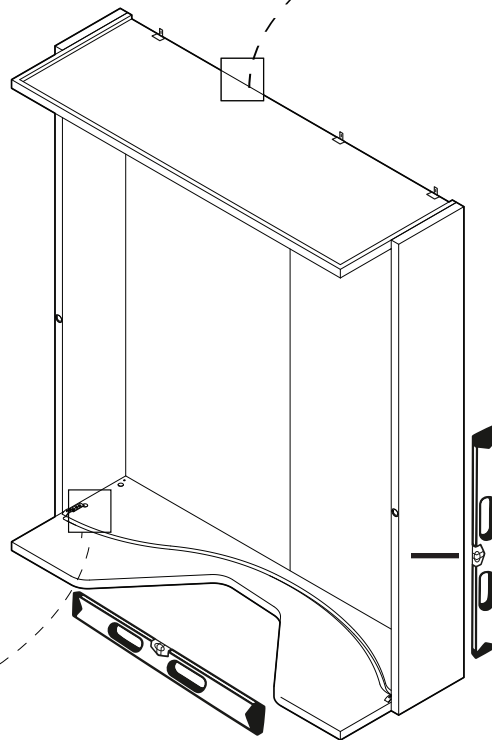
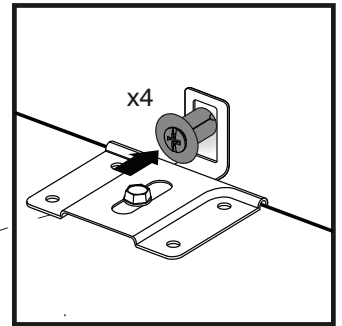
- 1 duplex outlet needed when only USB, LED, or LED w/ TV
- 2 duplex outlets needed when USB is combined with another powered feature



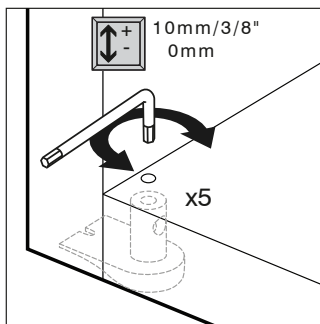
# WALL ANCHORING INSTRUCTIONS

**Caution:** Carefully read page 11-15 before anchoring the bed to the wall.

It is compulsory to fasten the product to intact and strong walls, by no less than 4 fixing points, as well as to place it on leveled floors.

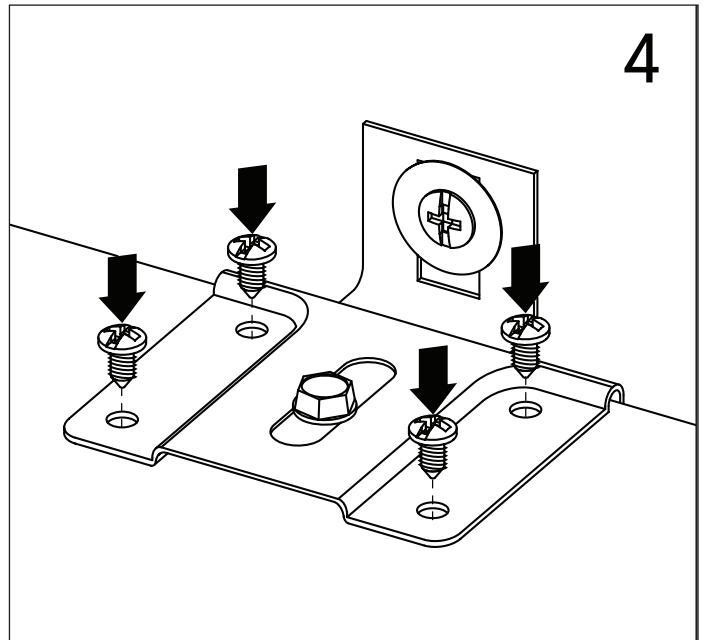
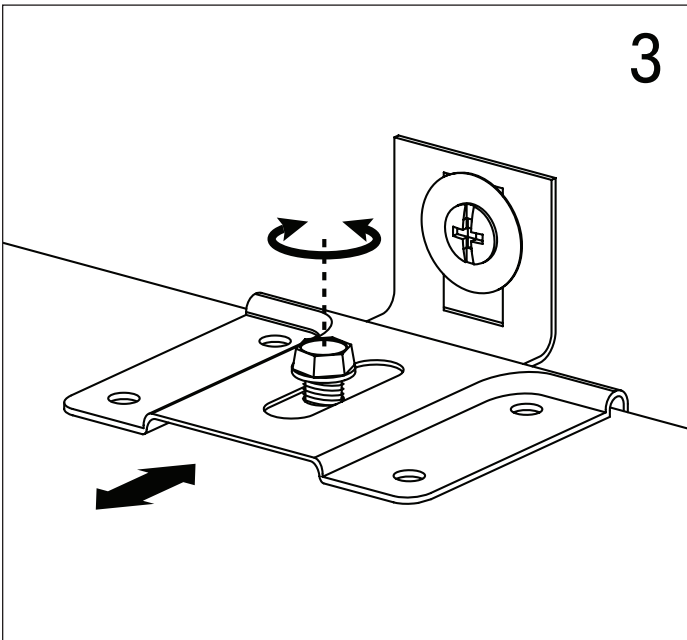
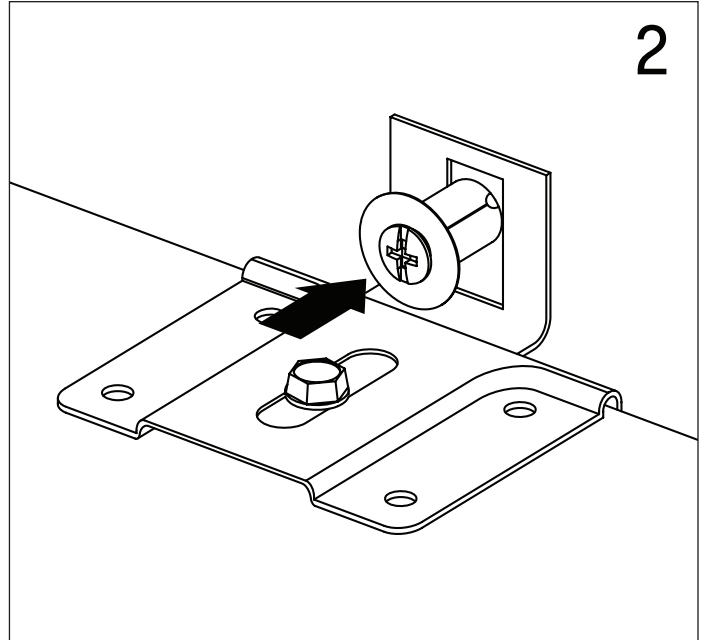
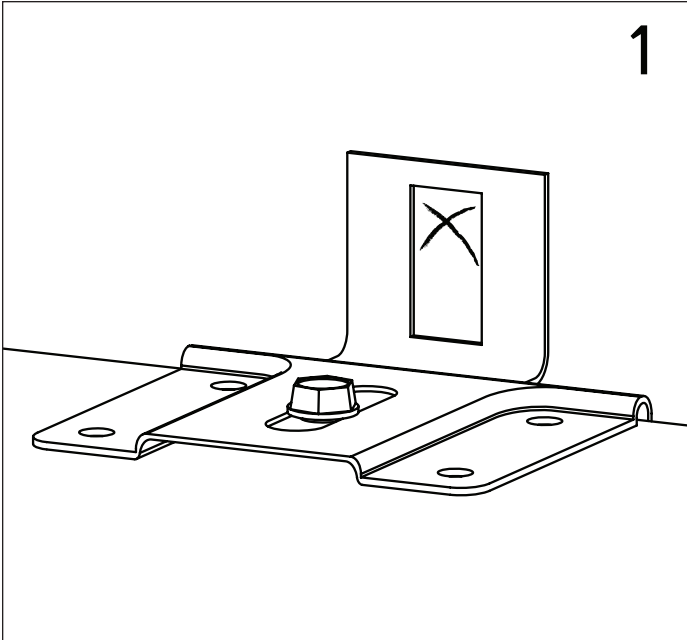


10



# WALL ANCHORING INSTRUCTIONS

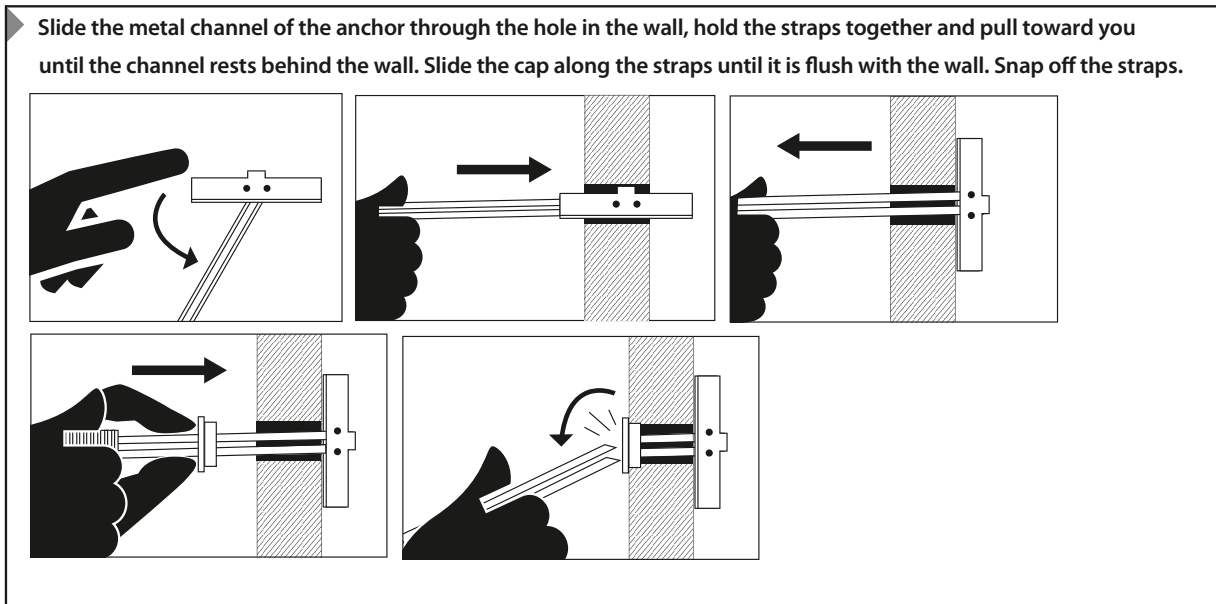
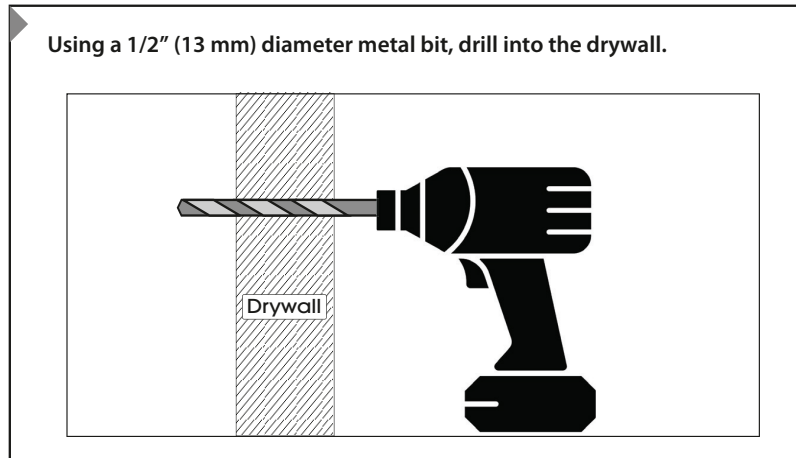
After the unit is level and plumb it must be securely attached to the wall using the metal angle mounting brackets as shown in the images below. A proper wall anchor suitable for the wall's construction must be selected by the contractor or installer.



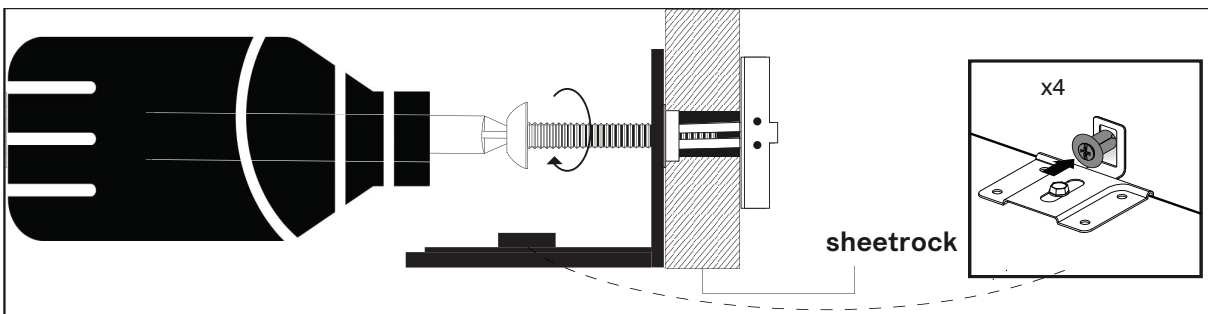
# WALL ANCHORING INSTRUCTIONS

## SHEETROCK

For 1/2" and 5/8" thick sheetrock it is recommended to use (4) 3/16" strap toggles.



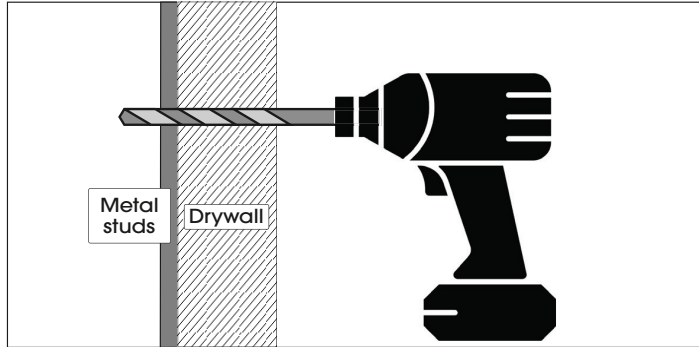
Insert the screw 3/16" X APPROPRIATE LENGTH into the hole and fasten the screw until the metal angle bracket is pulled snug against the wall.



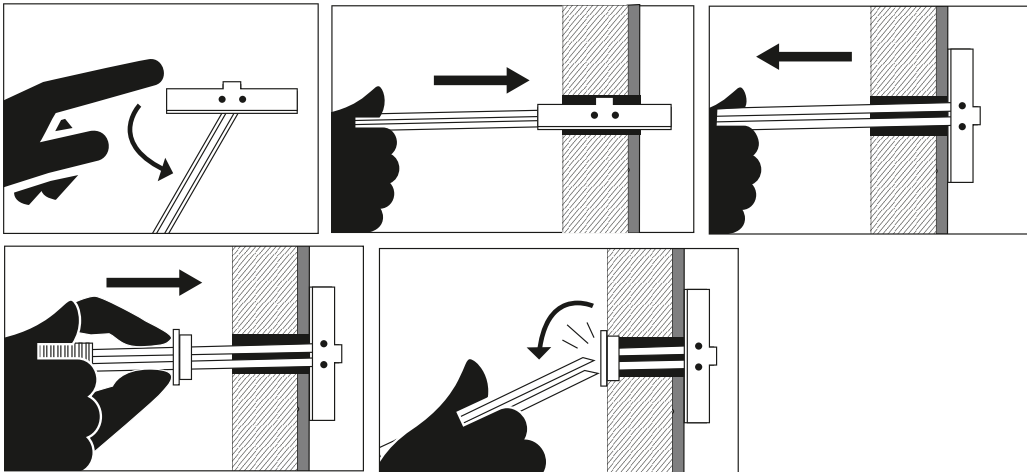
# WALL ANCHORING INSTRUCTIONS

## METAL STUDS : OPTIONAL

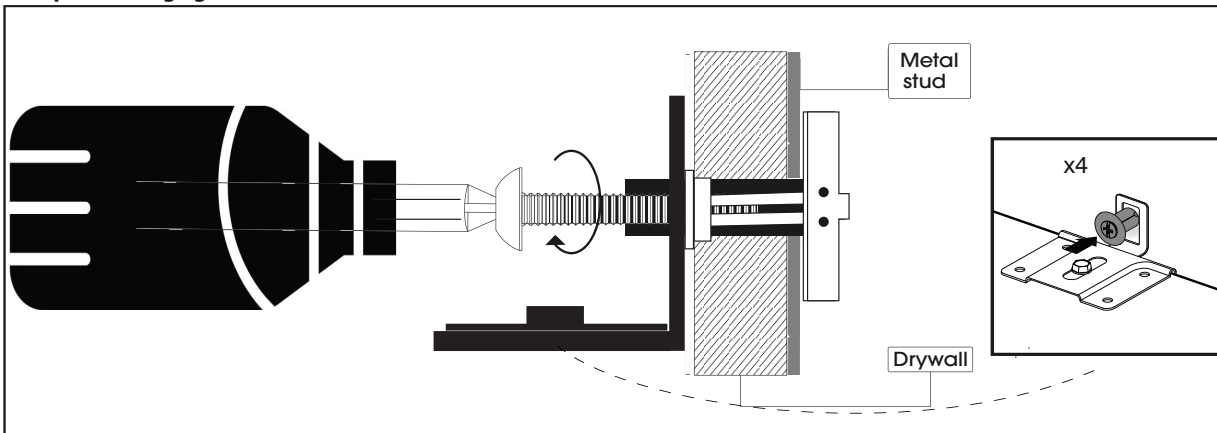
Using a 1/2" (13 mm) diameter metal bit, drill into the drywall and the metal studs.



Slide the metal channel of the anchor through the hole in the wall, hold the straps together and pull toward you until the channel rests behind the wall. Slide the cap along the straps until it is flush with the wall. Snap off the straps.

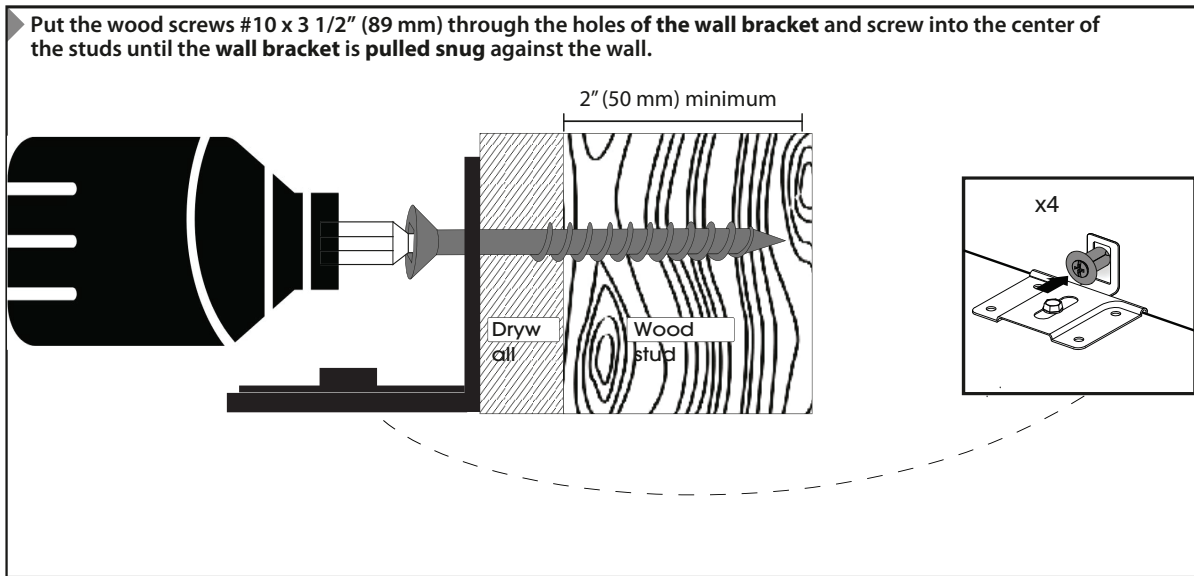


Insert the screw 3/16" X APPROPRIATE LENGTH into the hole and fasten the screw until the metal angle bracket is pulled snug against the wall.



# WALL ANCHORING INSTRUCTIONS

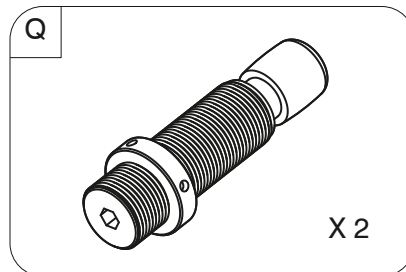
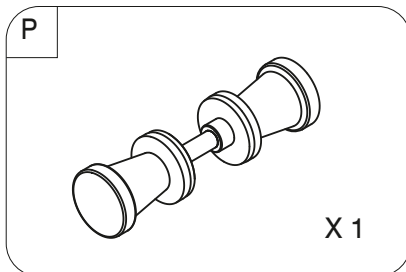
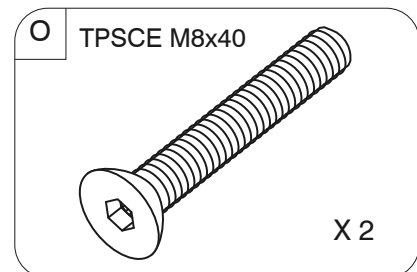
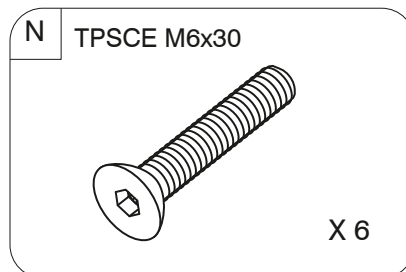
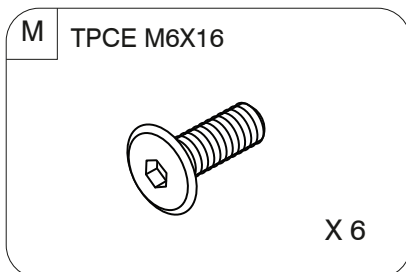
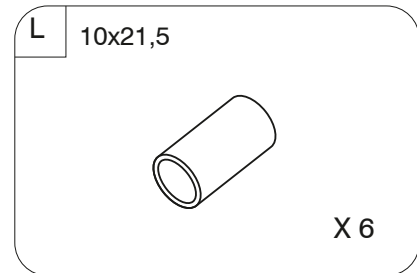
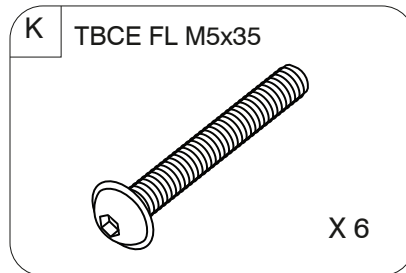
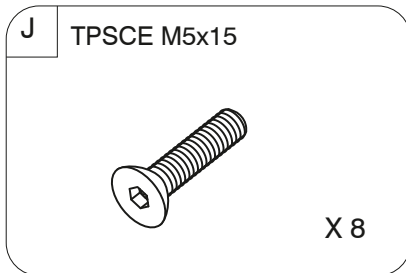
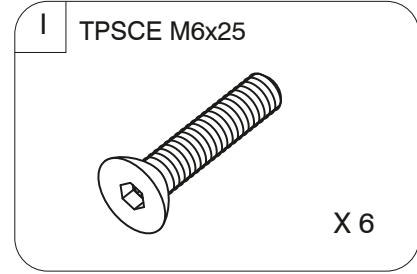
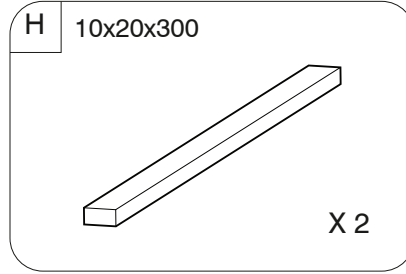
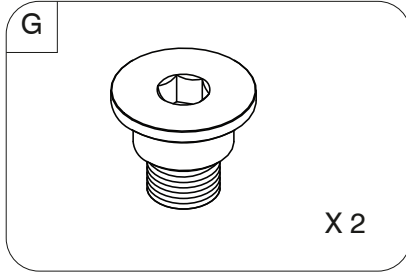
## WOOD STUDS



For any other wall materials please reach out to Resource Furniture.



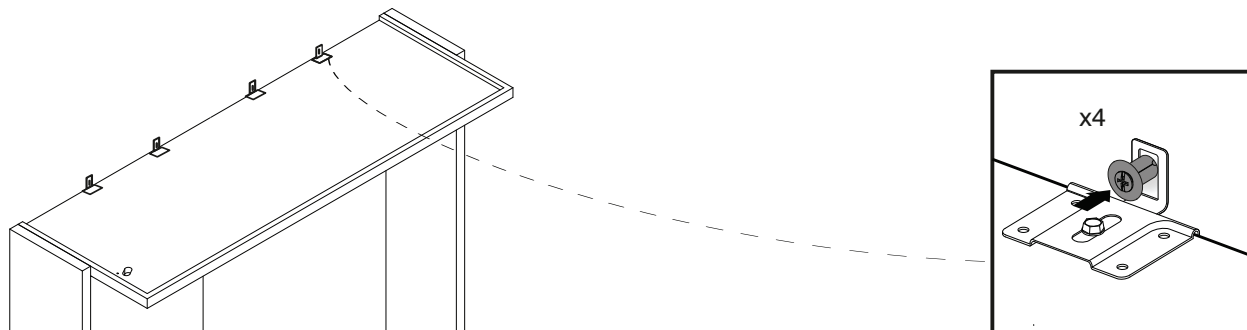
# ASSEMBLY OF THE ROTATING STRUCTURE



# ASSEMBLY OF THE ROTATING STRUCTURE

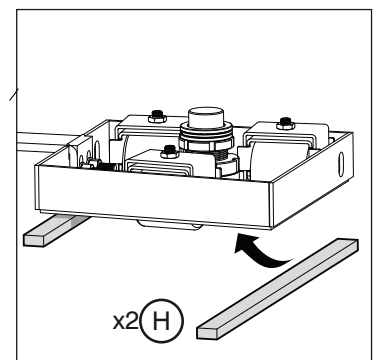


At this stage of the installation the bed structure must be securely attached to the wall as described on pages 11-15

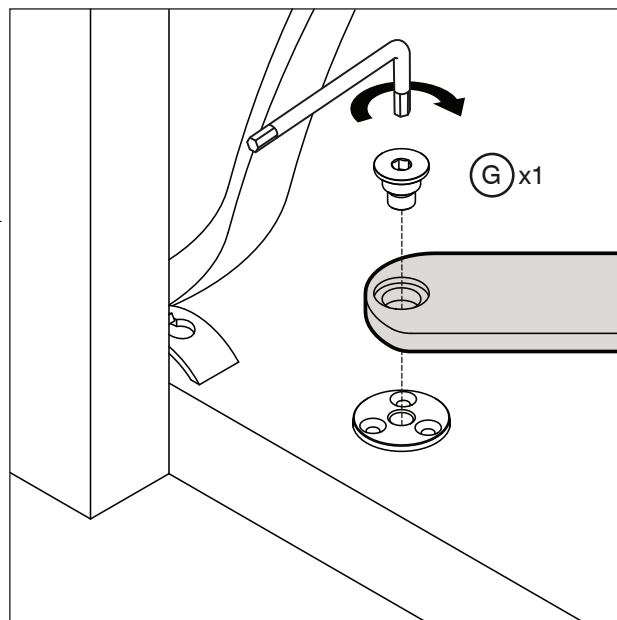


Place the two slats underneath the carriage to reduce movements.

13



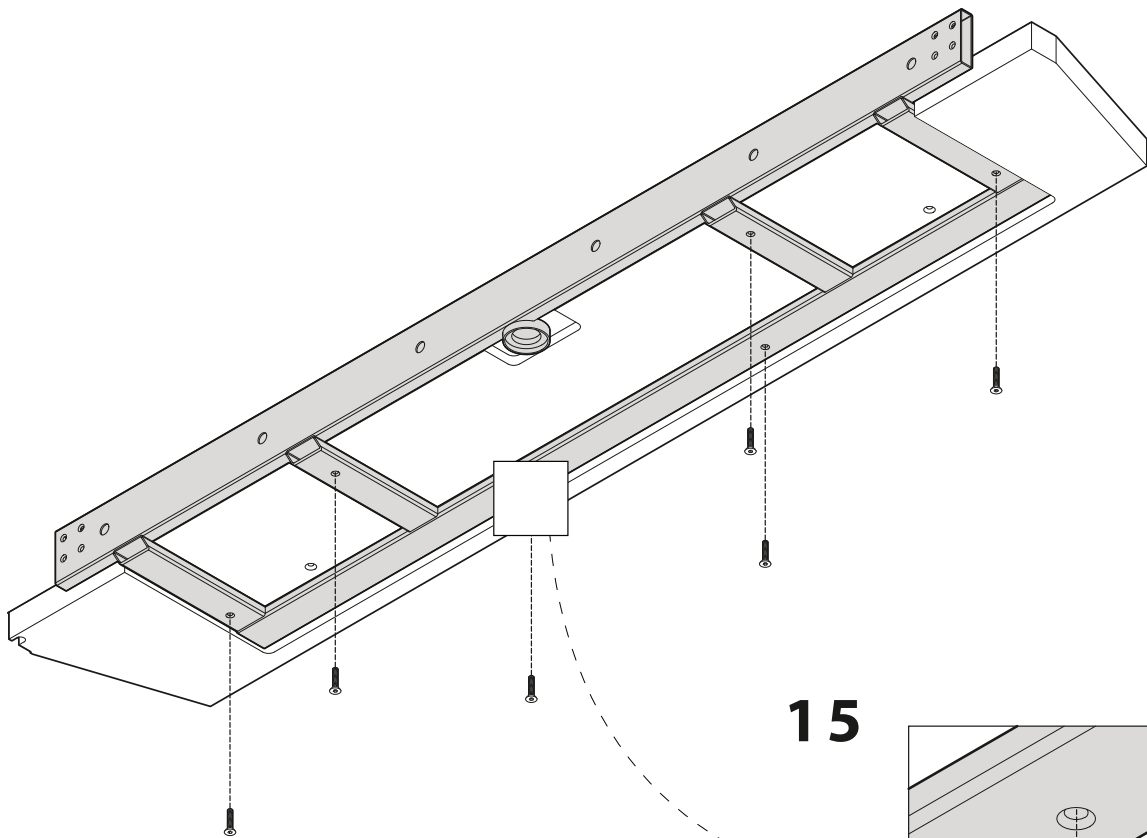
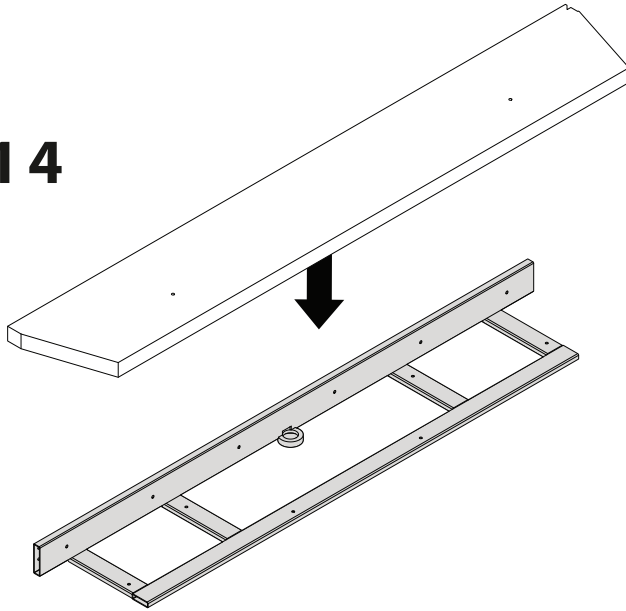
12



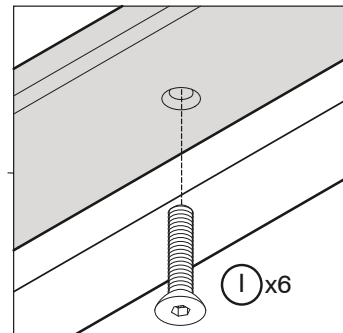
**Note:** Place the two slats underneath the carriage to reduce movements.

# ASSEMBLY OF THE ROTATING STRUCTURE

14

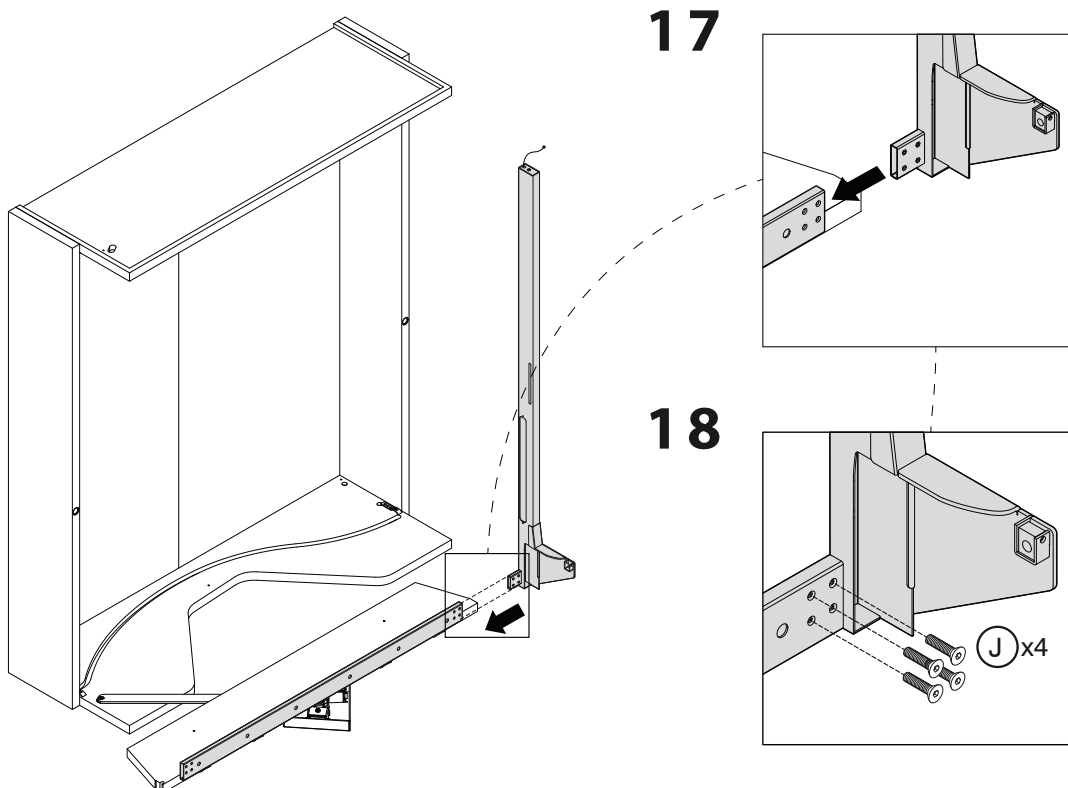
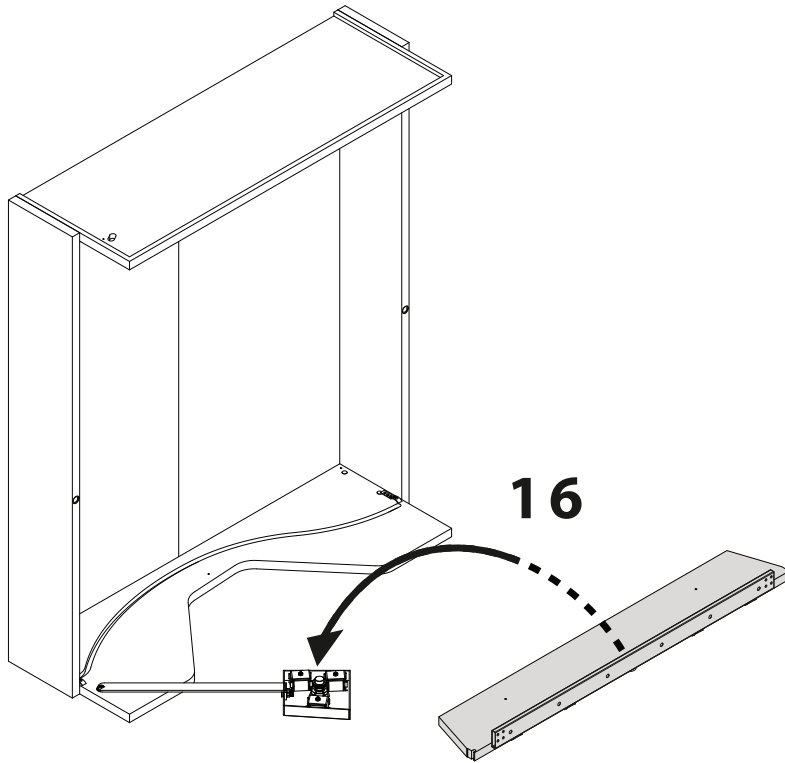


15

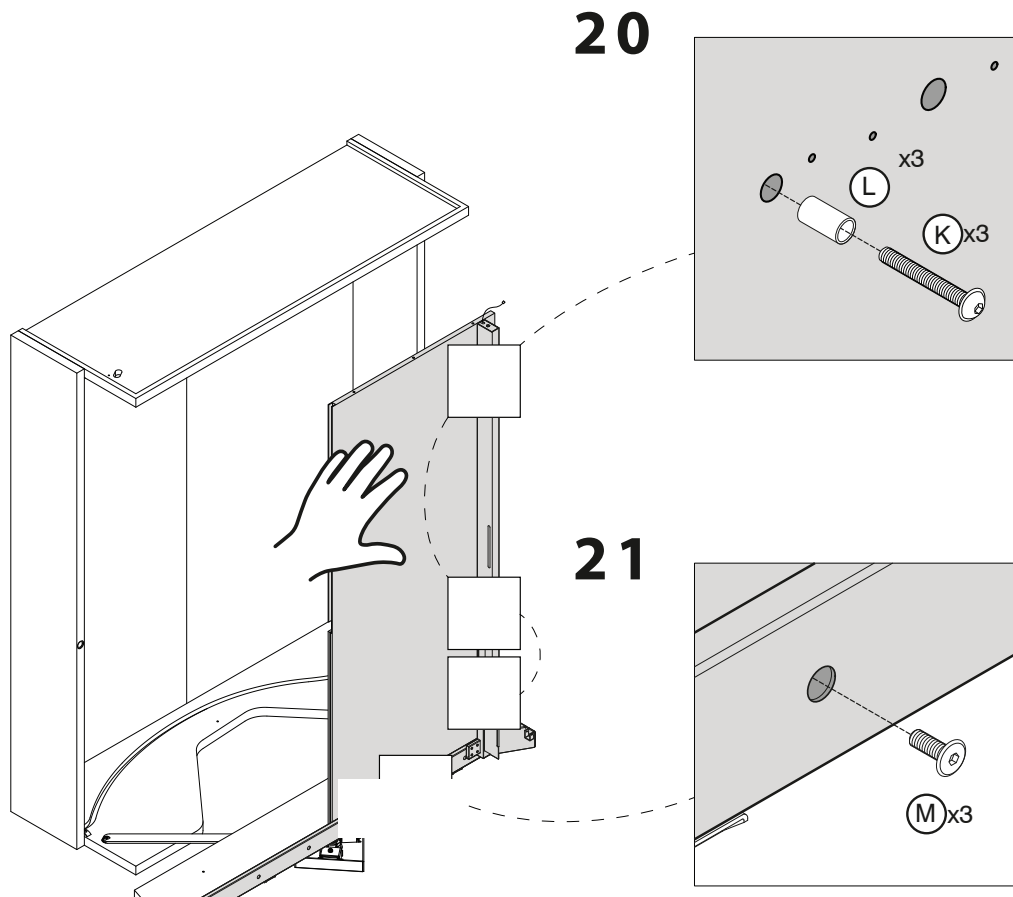
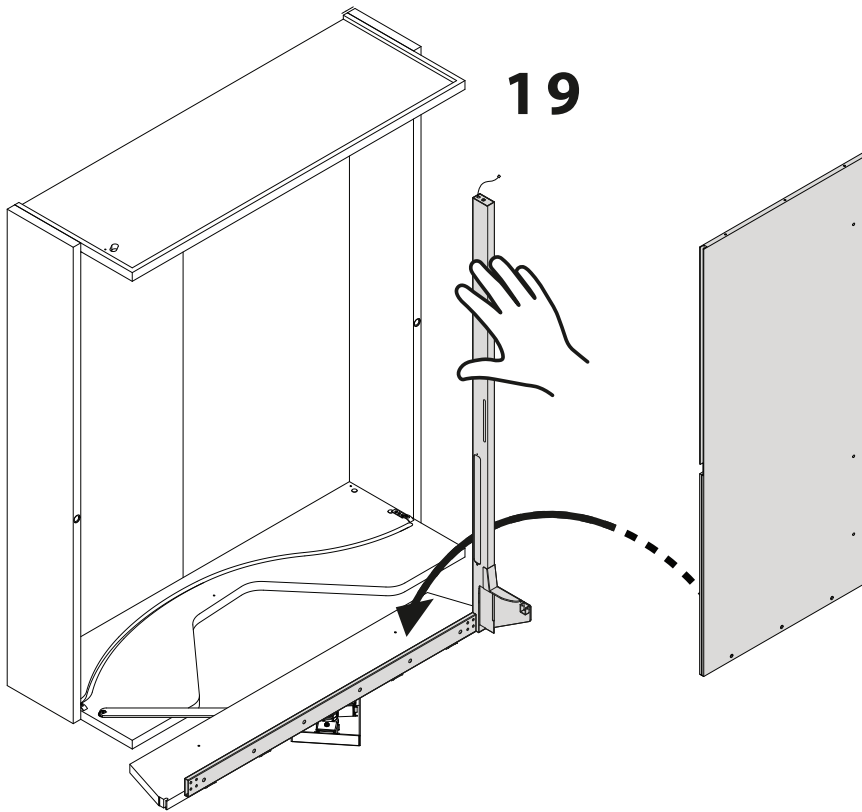


**Note:** Carefully drive bolts “I” into the bottom of the shelf. Do not overtighten as this may cause damage.

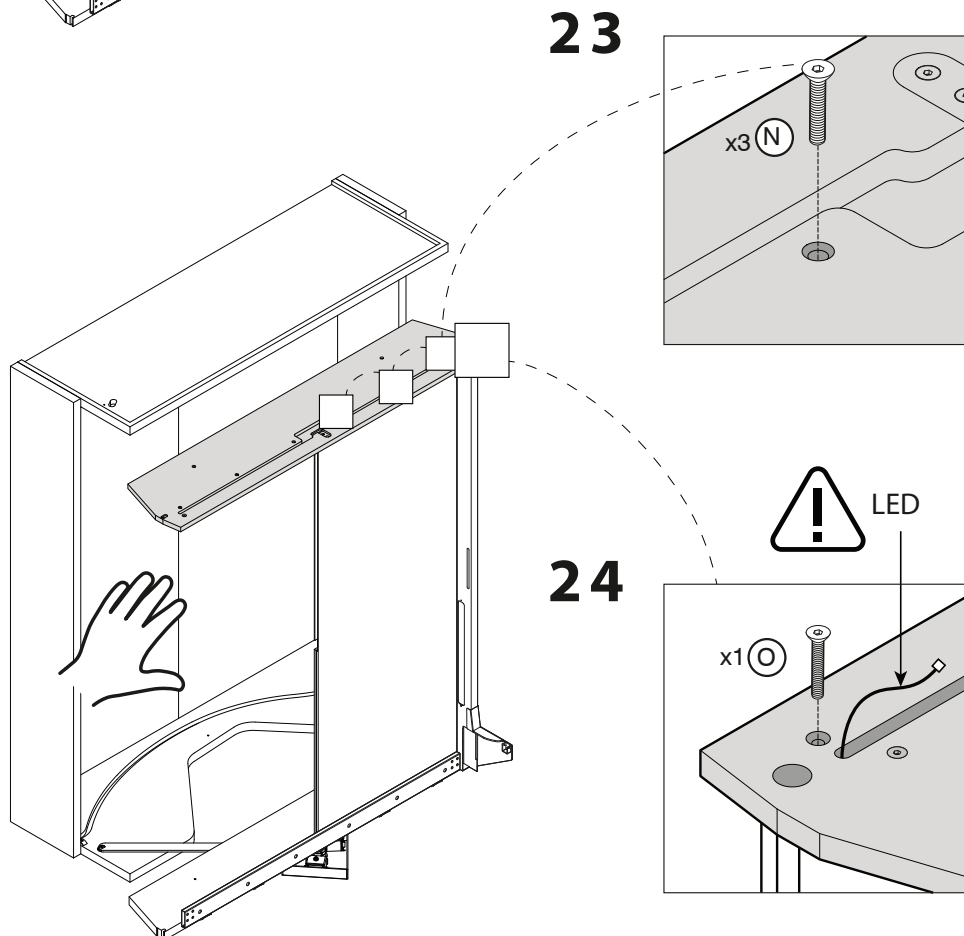
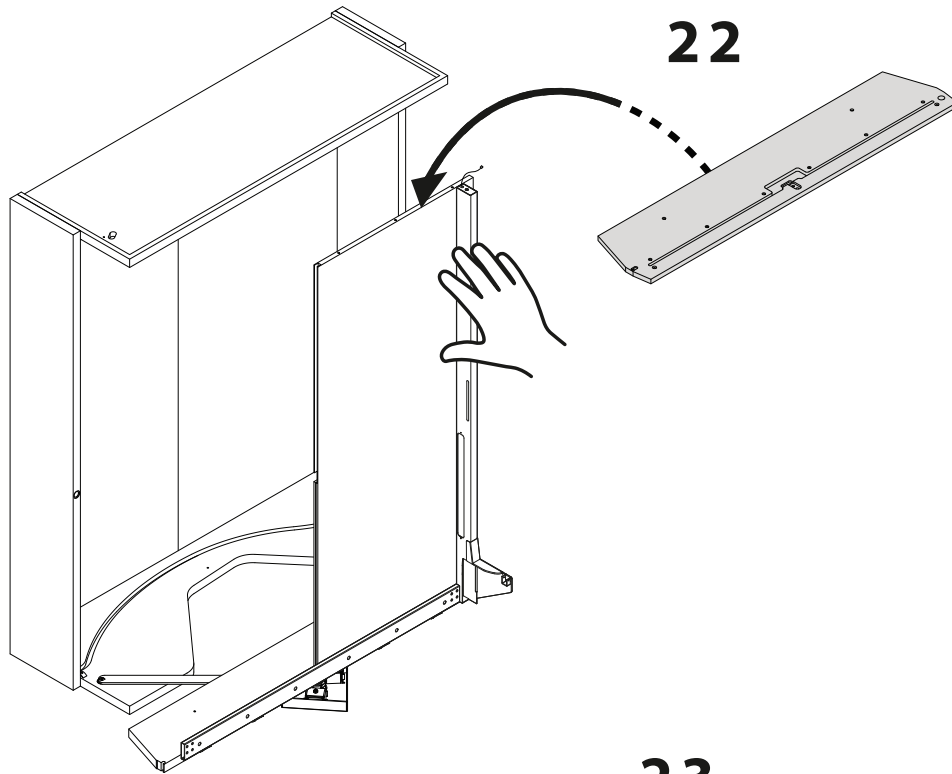
# ASSEMBLY OF THE ROTATING STRUCTURE



# ASSEMBLY OF THE ROTATING STRUCTURE

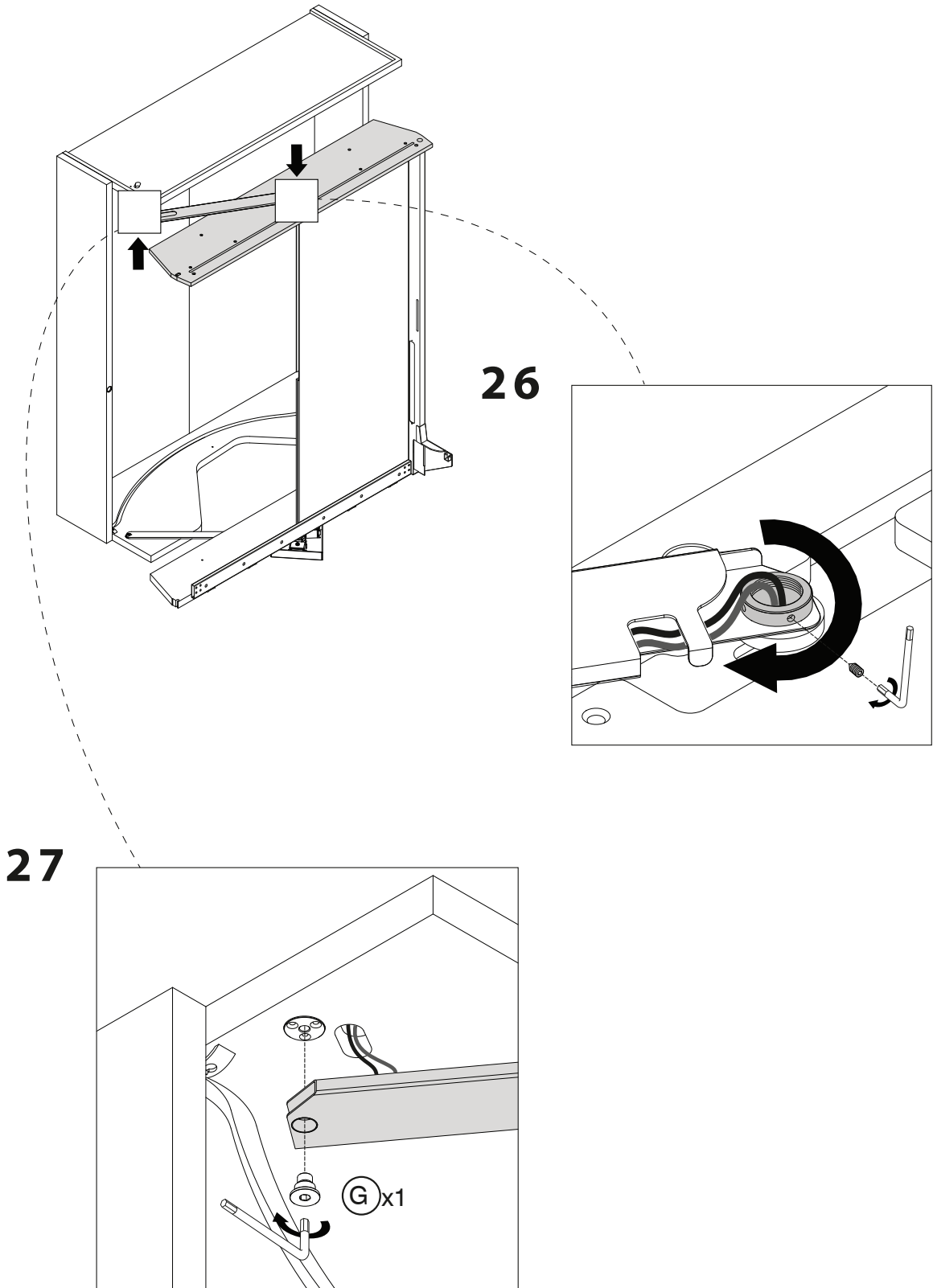


# ASSEMBLY OF THE ROTATING STRUCTURE



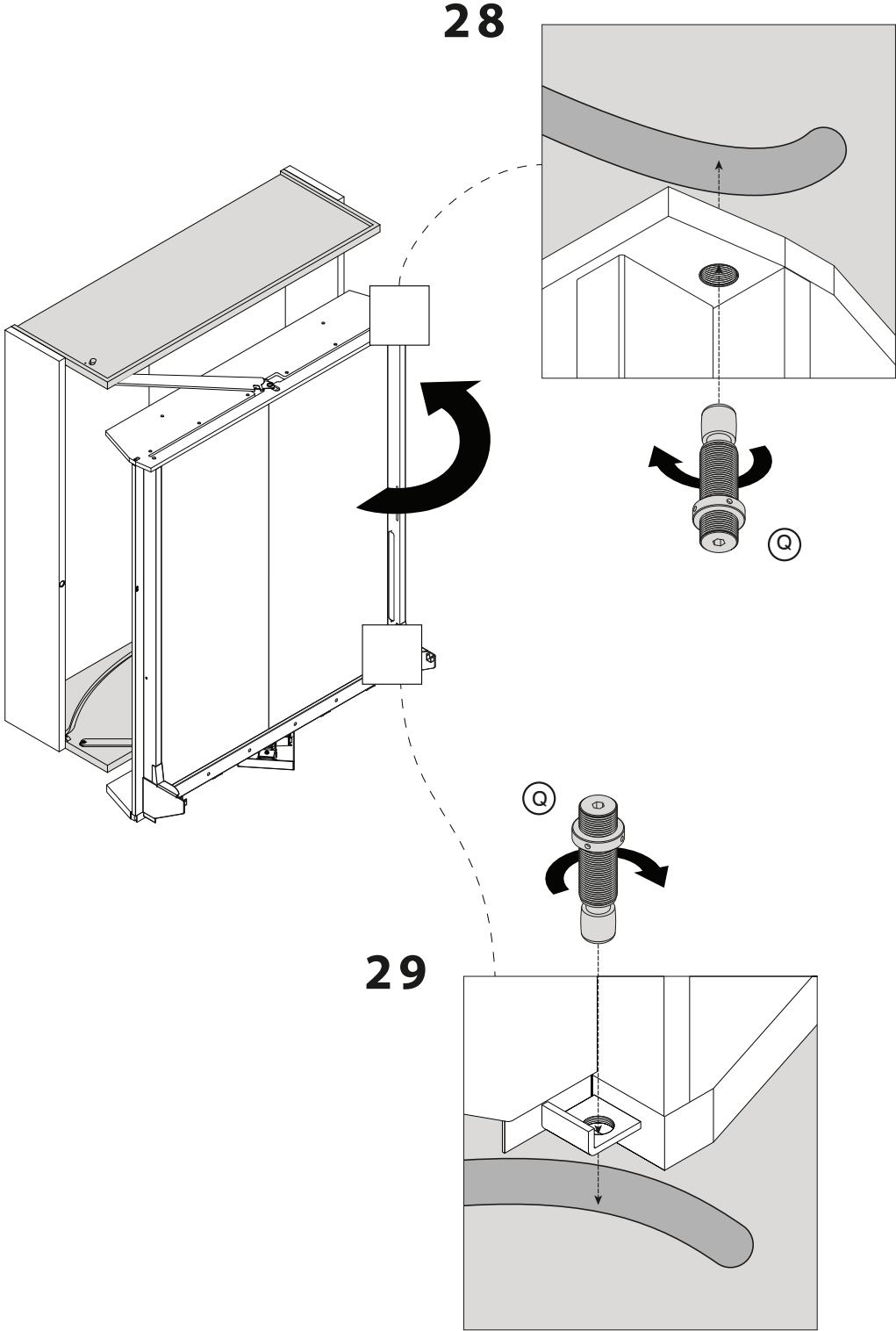


# ASSEMBLY OF THE ROTATING STRUCTURE

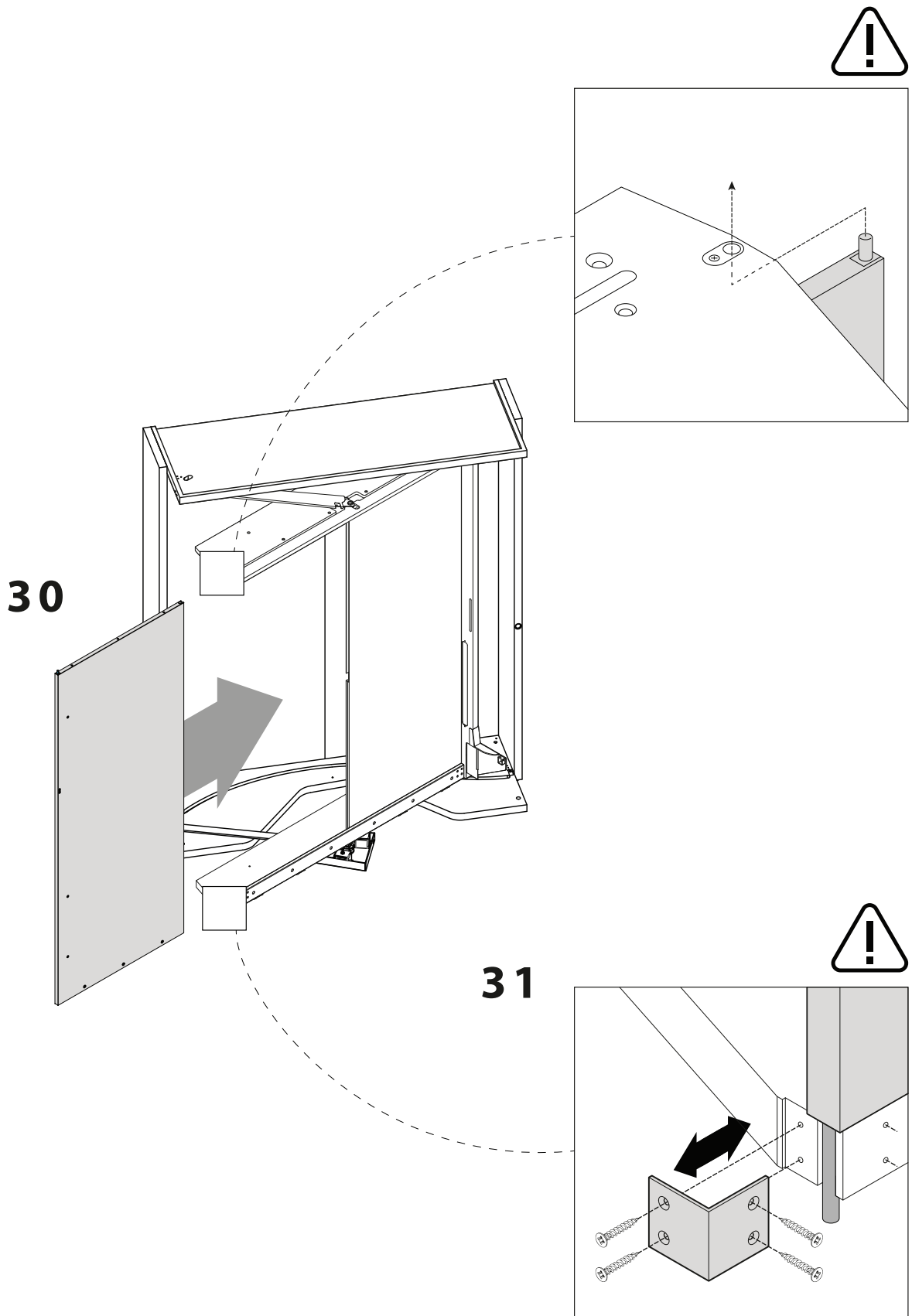




# ASSEMBLY OF THE ROTATING STRUCTURE

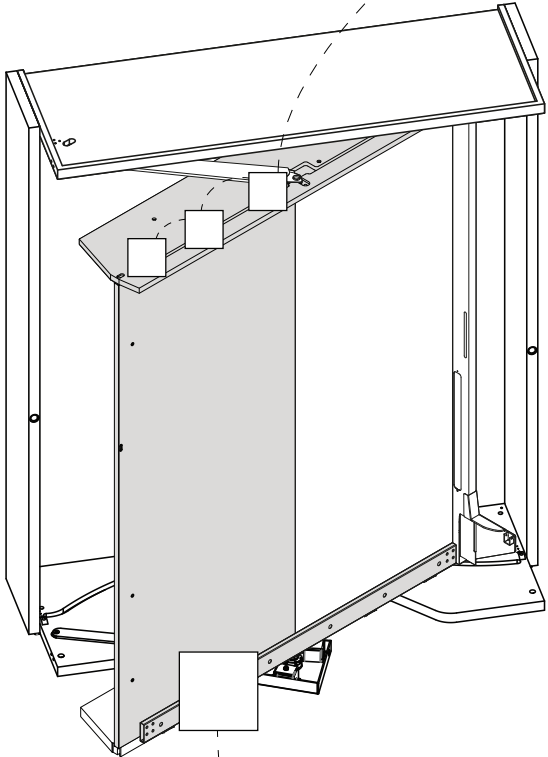
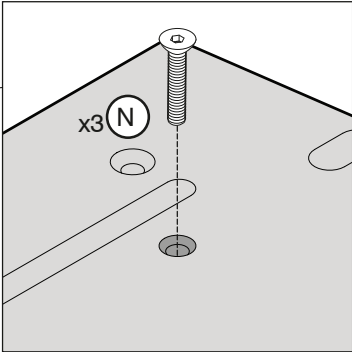


# ASSEMBLY OF THE ROTATING STRUCTURE

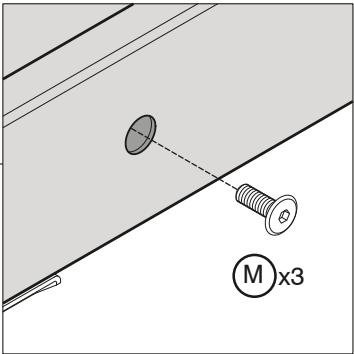


# ASSEMBLY OF THE ROTATING STRUCTURE

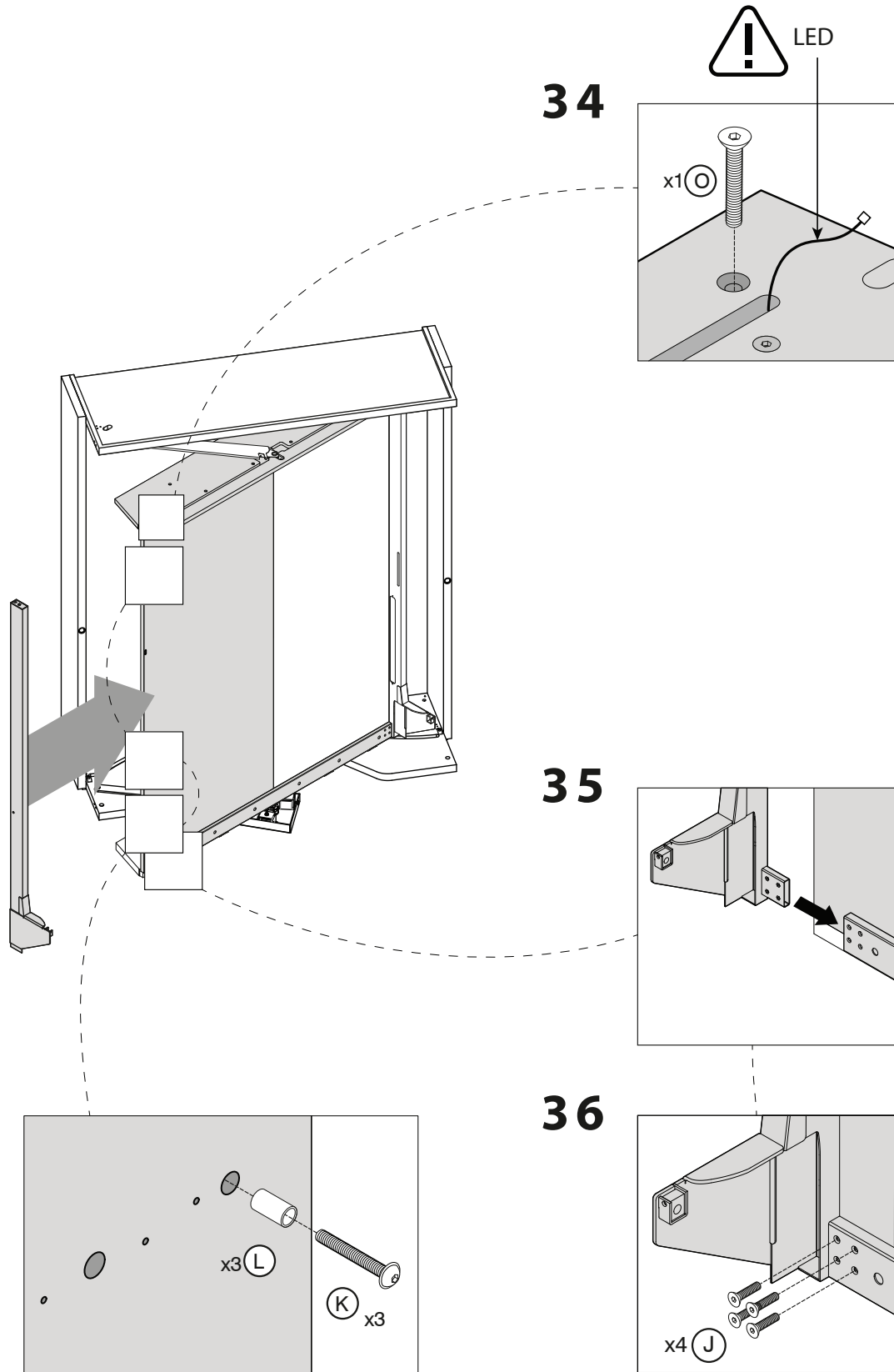
**32**



**33**

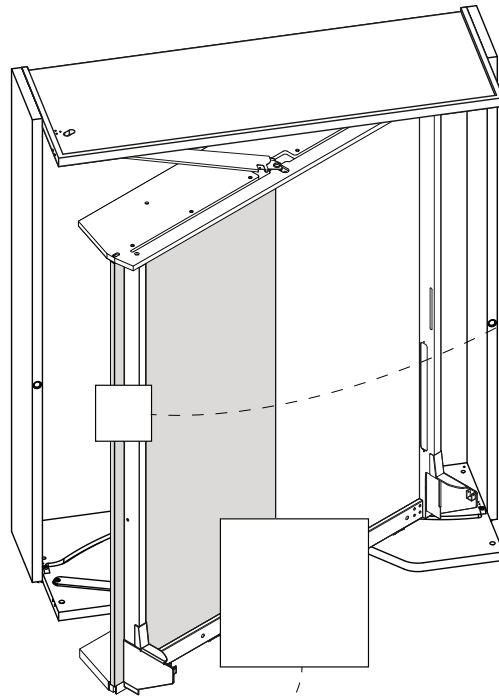
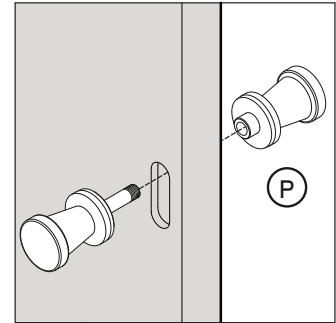


# ASSEMBLY OF THE ROTATING STRUCTURE

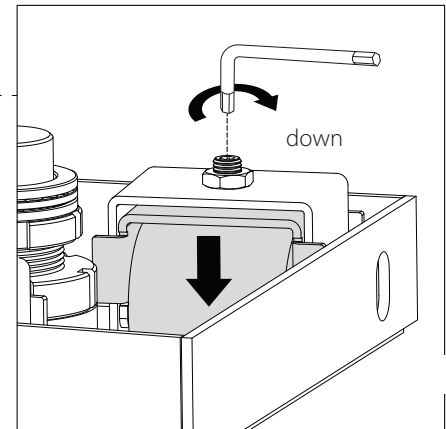
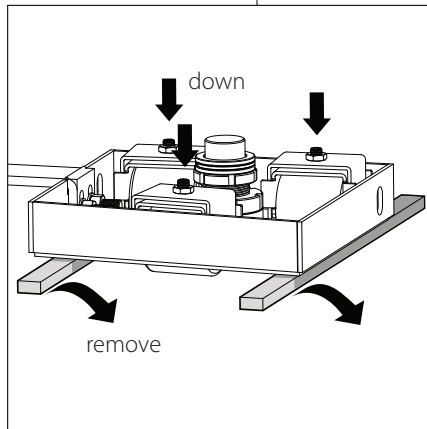


# ASSEMBLY OF THE ROTATING STRUCTURE

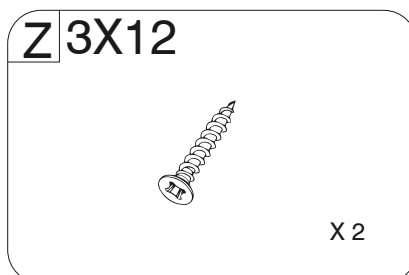
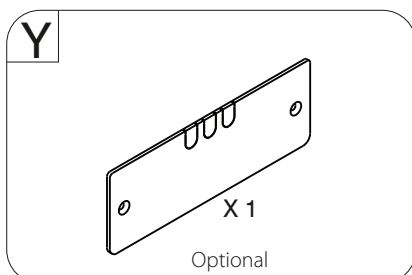
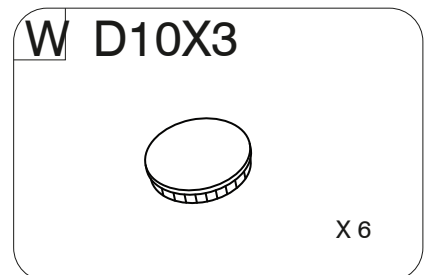
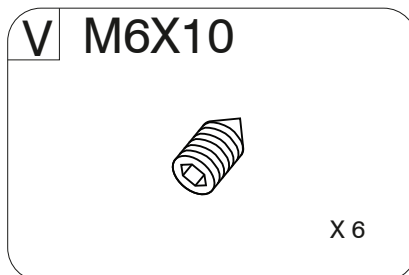
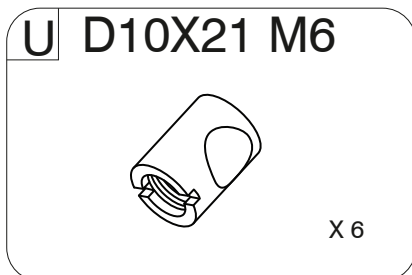
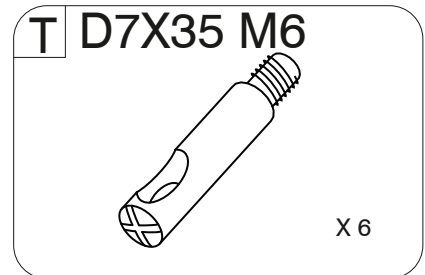
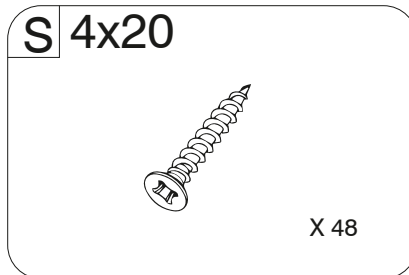
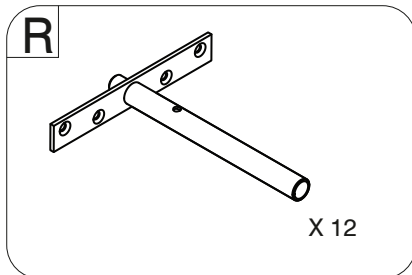
**38**



**39**

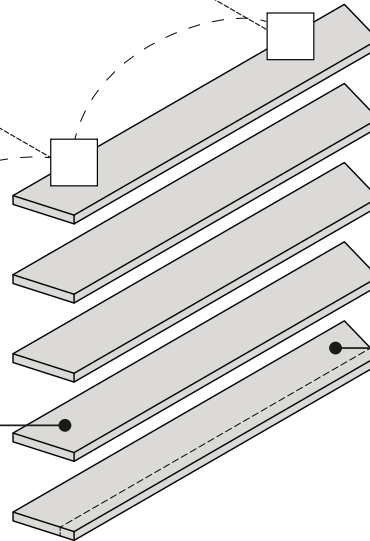
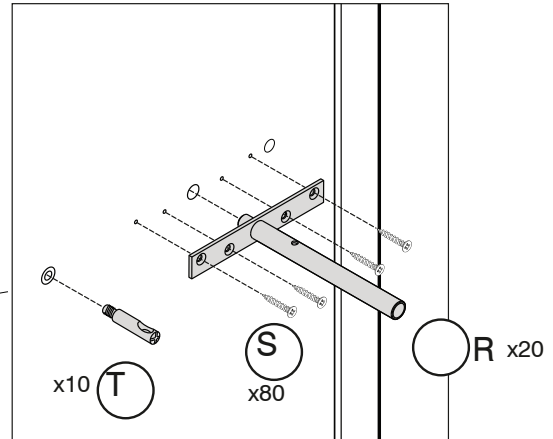
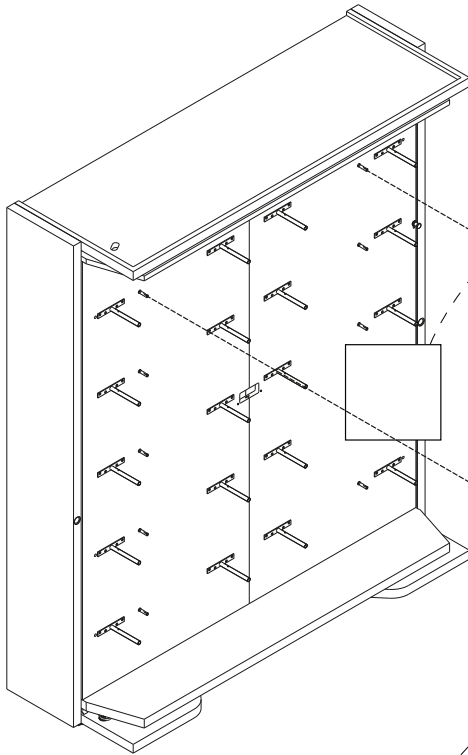


# SHELF ASSEMBLY

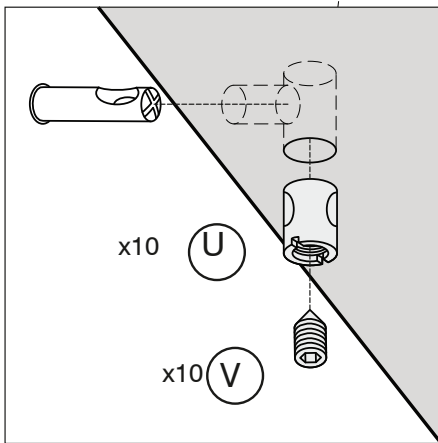


# SHELF ASSEMBLY

40



41

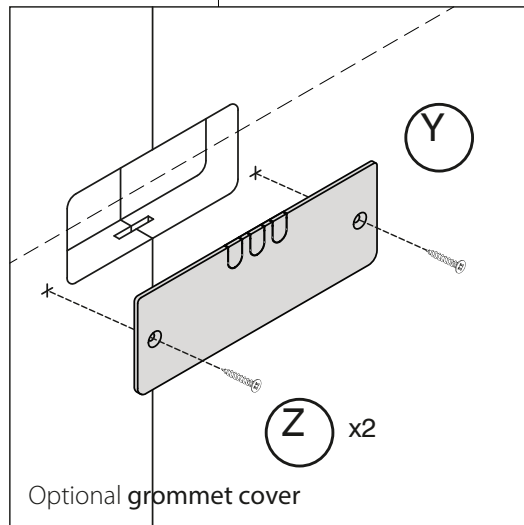
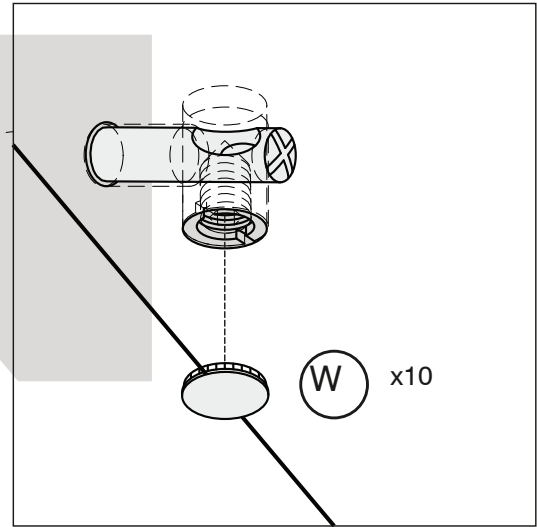
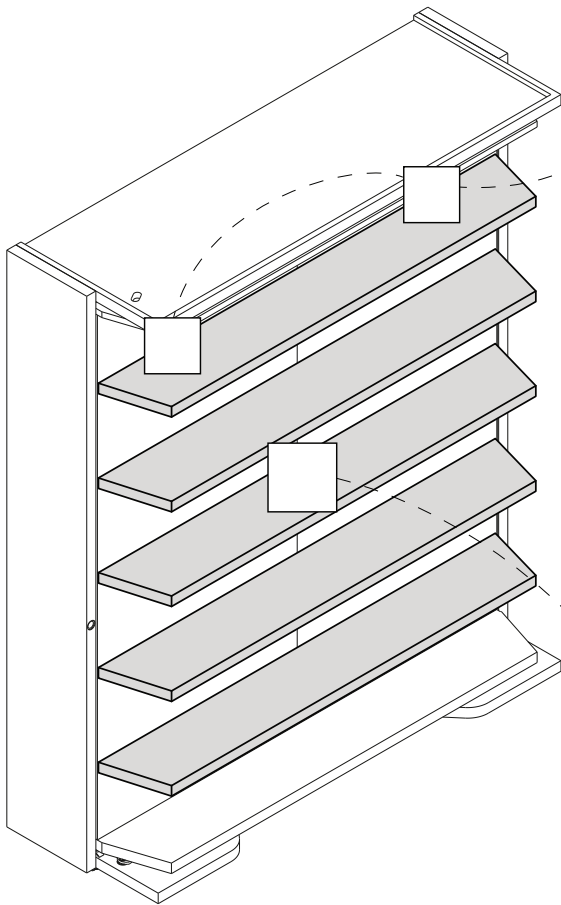


If tilt up table is included,  
use the shelf provided with specific fixing  
hardware. Shelf depth 9 3/4"/250mm

If freestanding table is included, use the  
narrow shelf. Shelf depth 8 1/4"/210mm

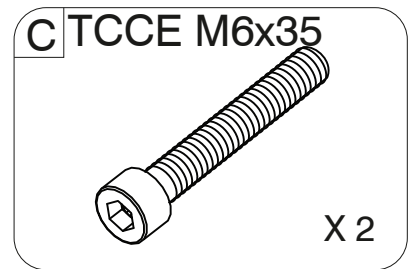
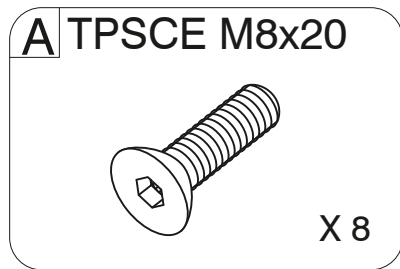
# SHELF ASSEMBLY

42



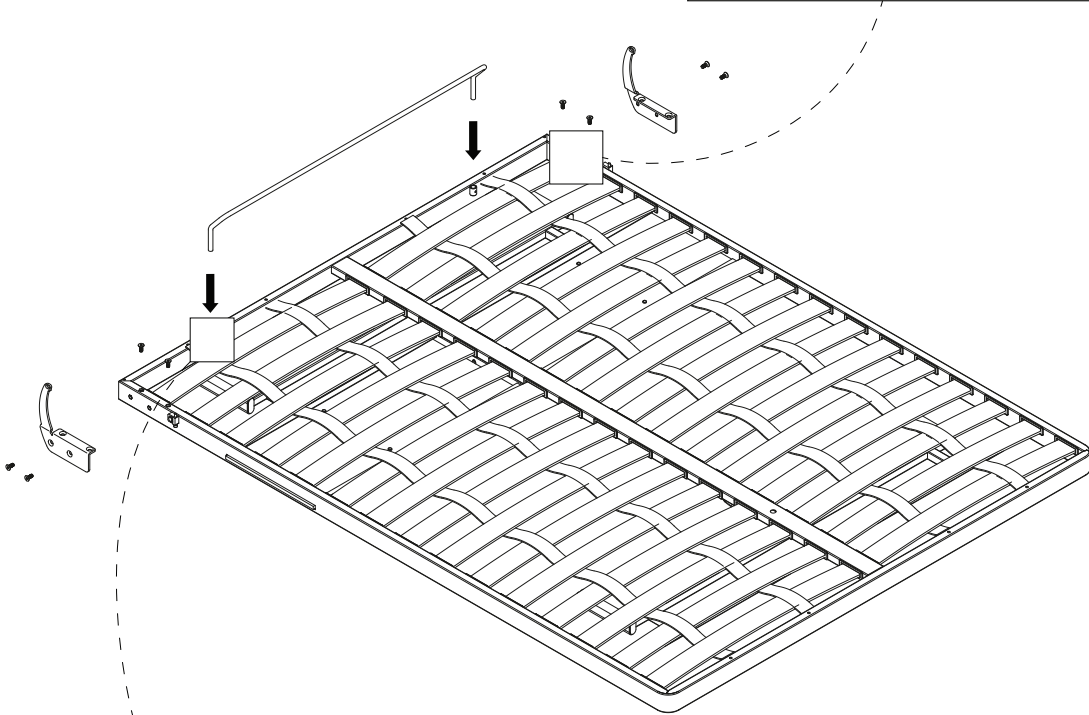
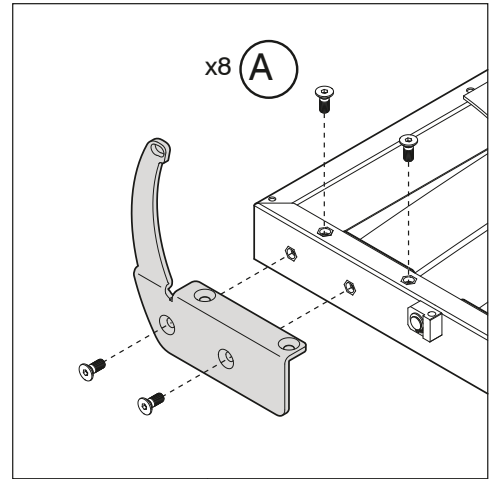


# BED BASE ASSEMBLY

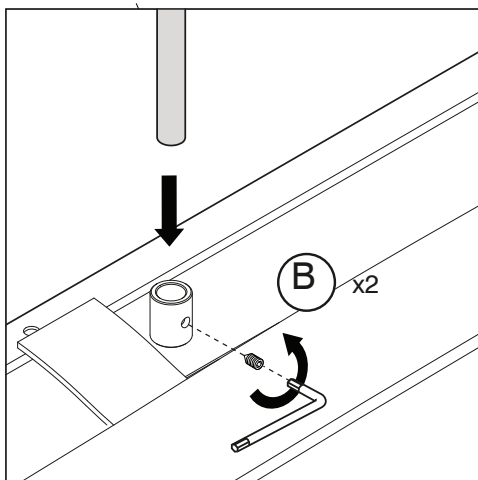


# BED BASE ASSEMBLY

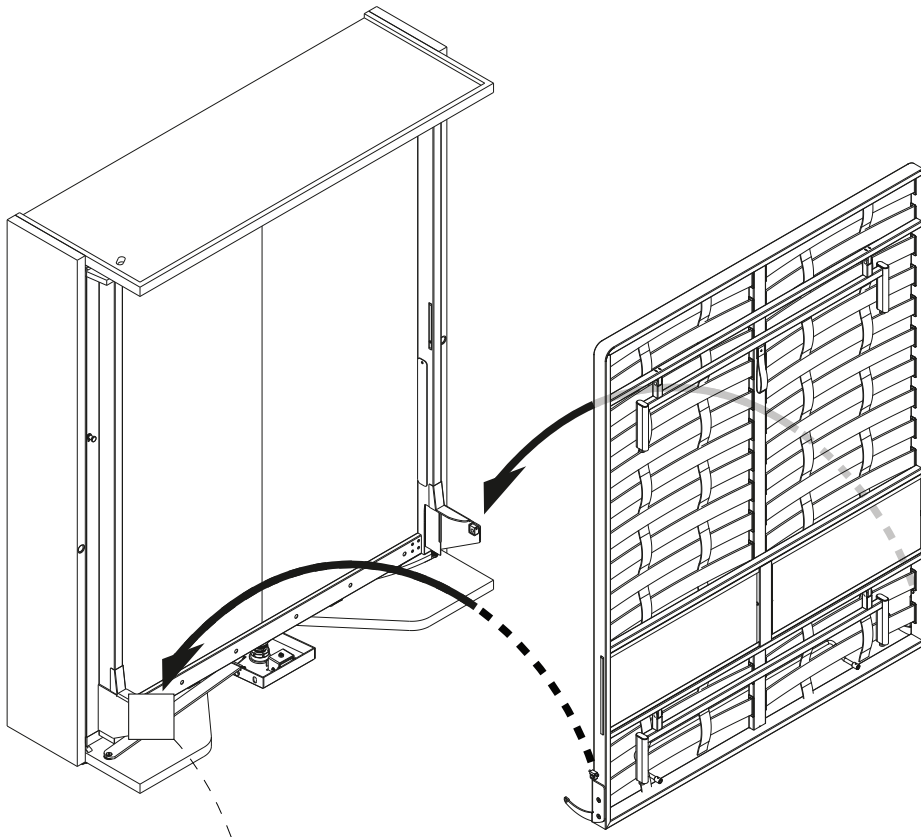
1



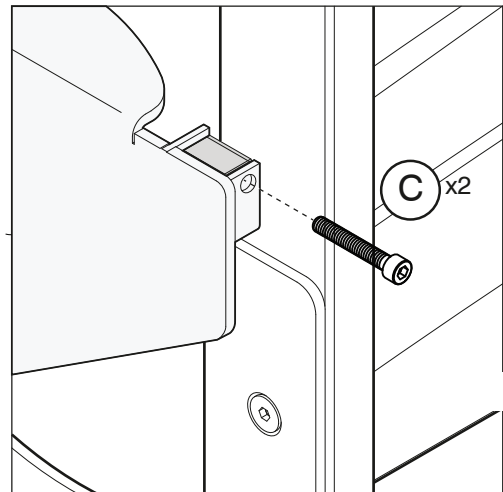
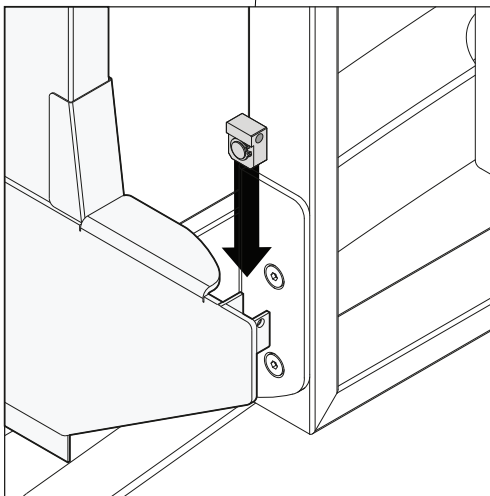
2



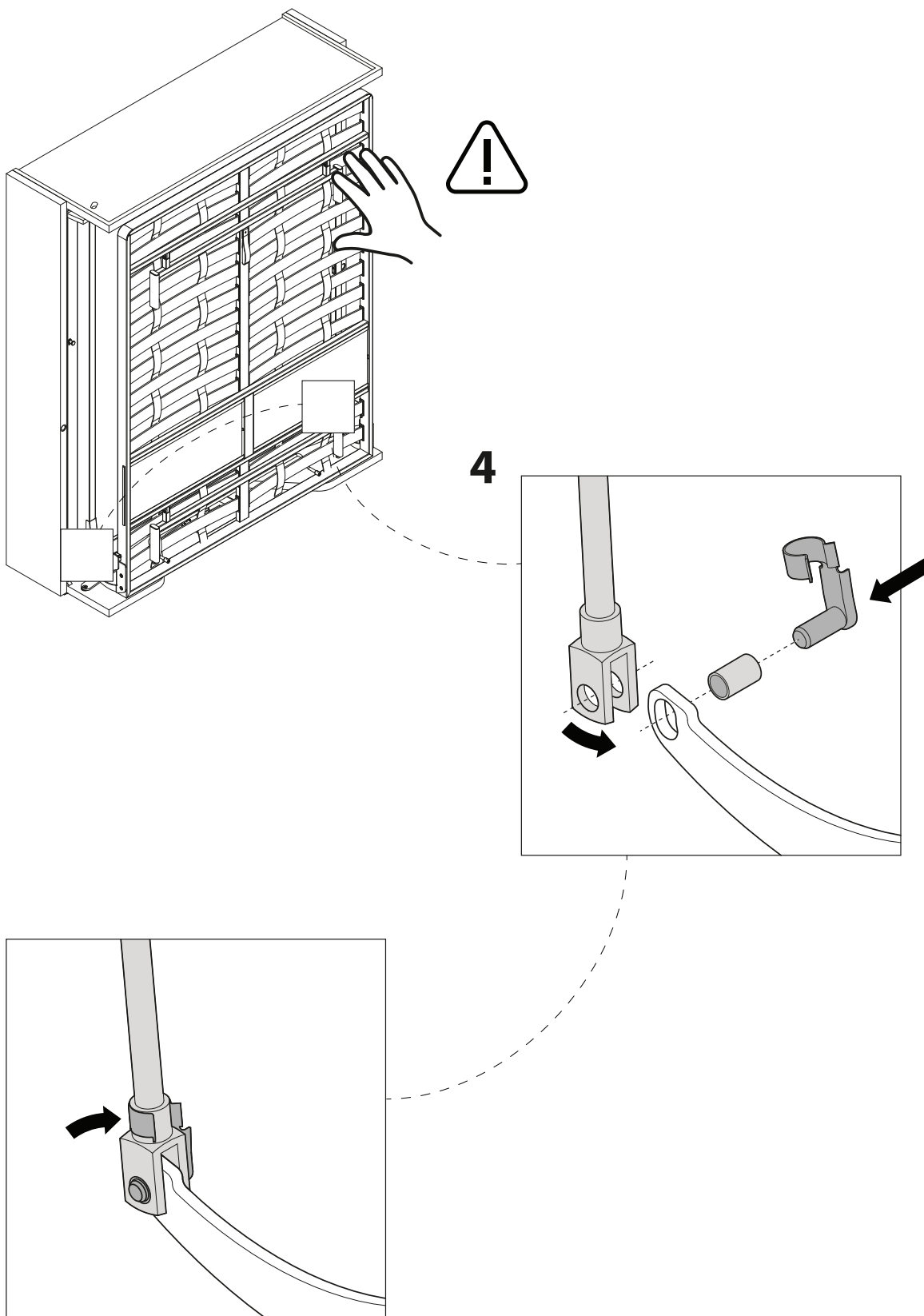
# BED BASE ASSEMBLY



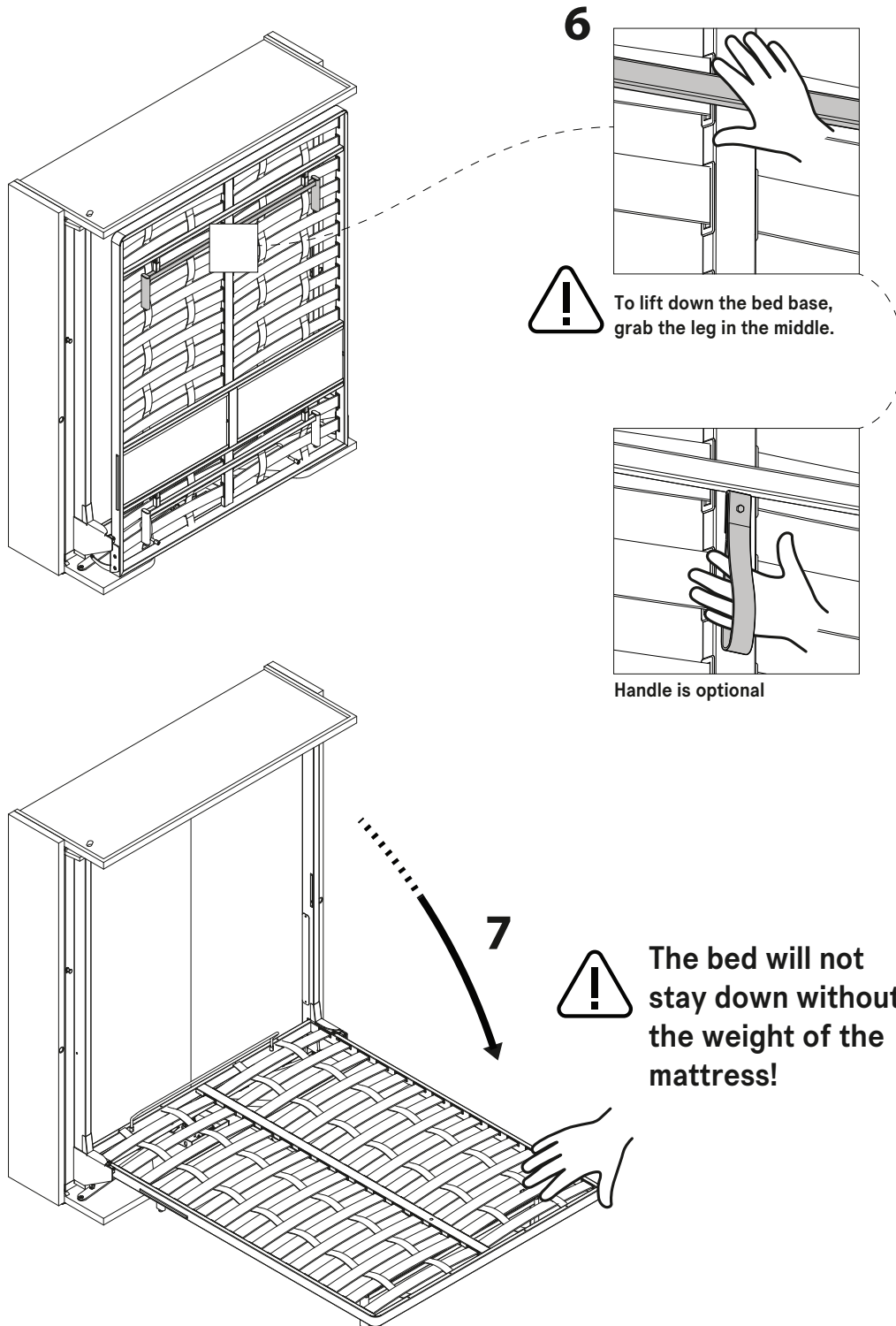
**3**



# CONNECTING THE PISTONS TO THE BED BASE



# OPENING THE BED BASE FOR THE FIRST TIME WITHOUT THE MATTRESS

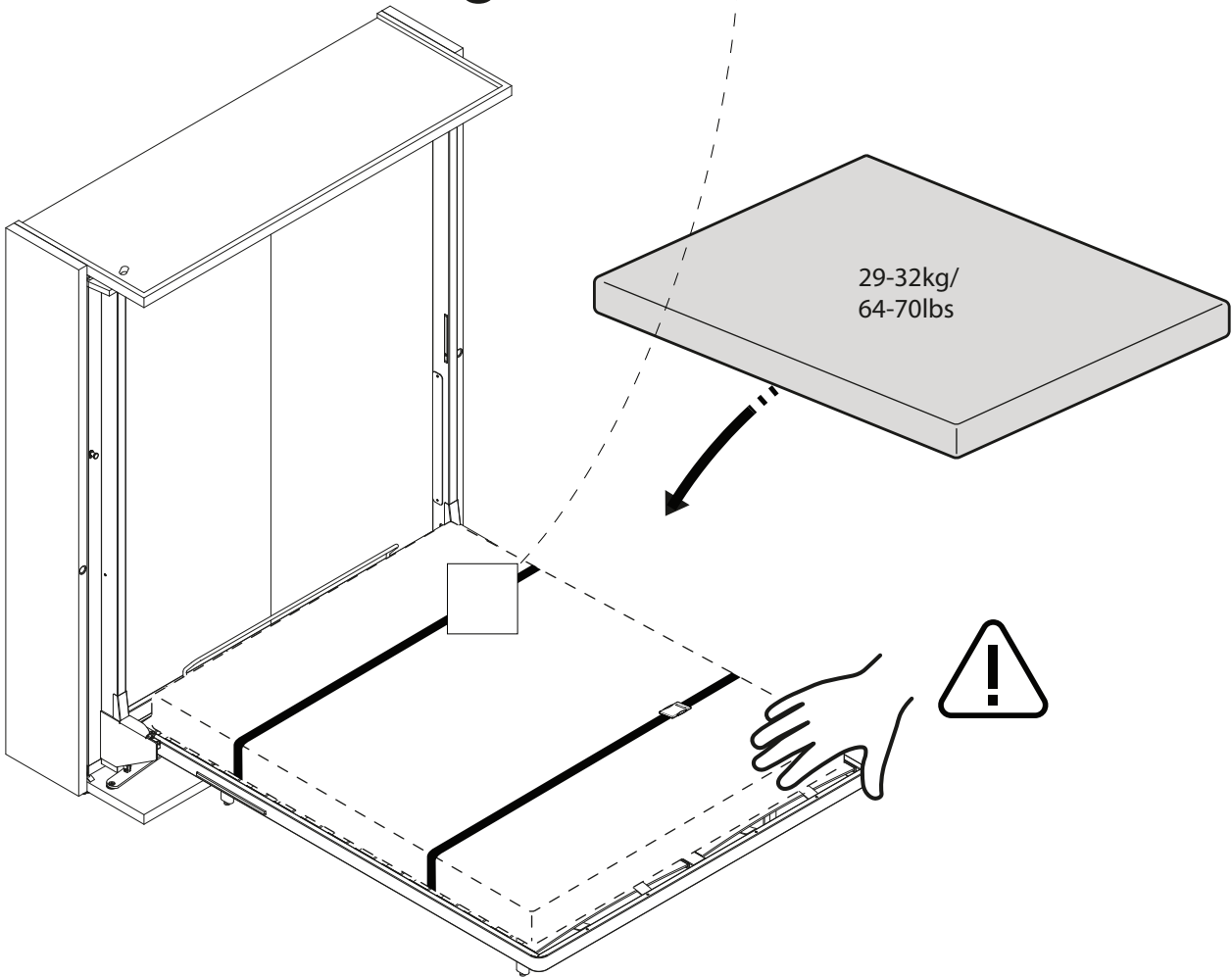


# PLACING THE MATTRESS

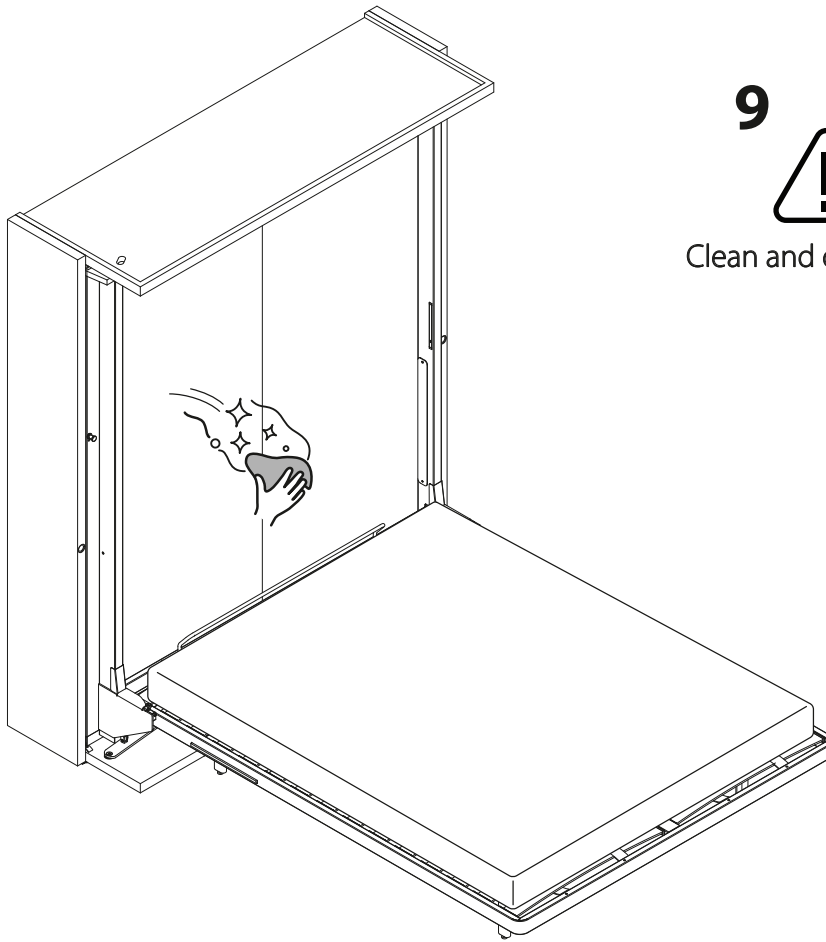


Open the bed to place the mattress and fix it with the straps

8



# INSTALLING THE HEADBOARD

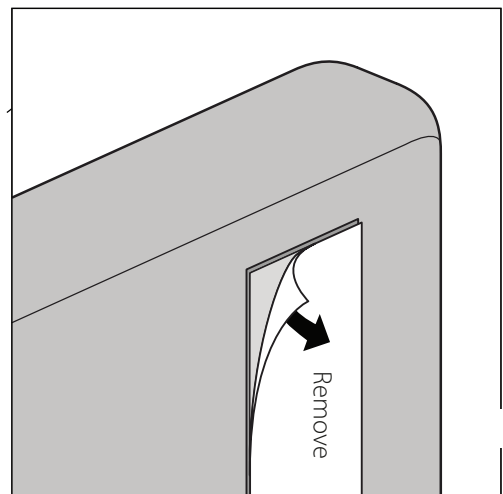
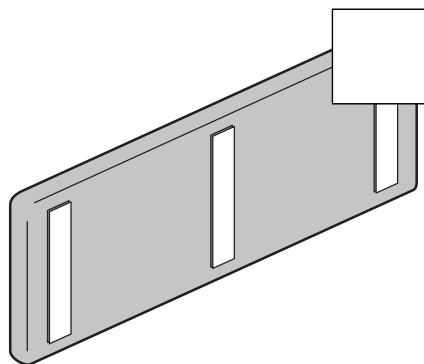


9

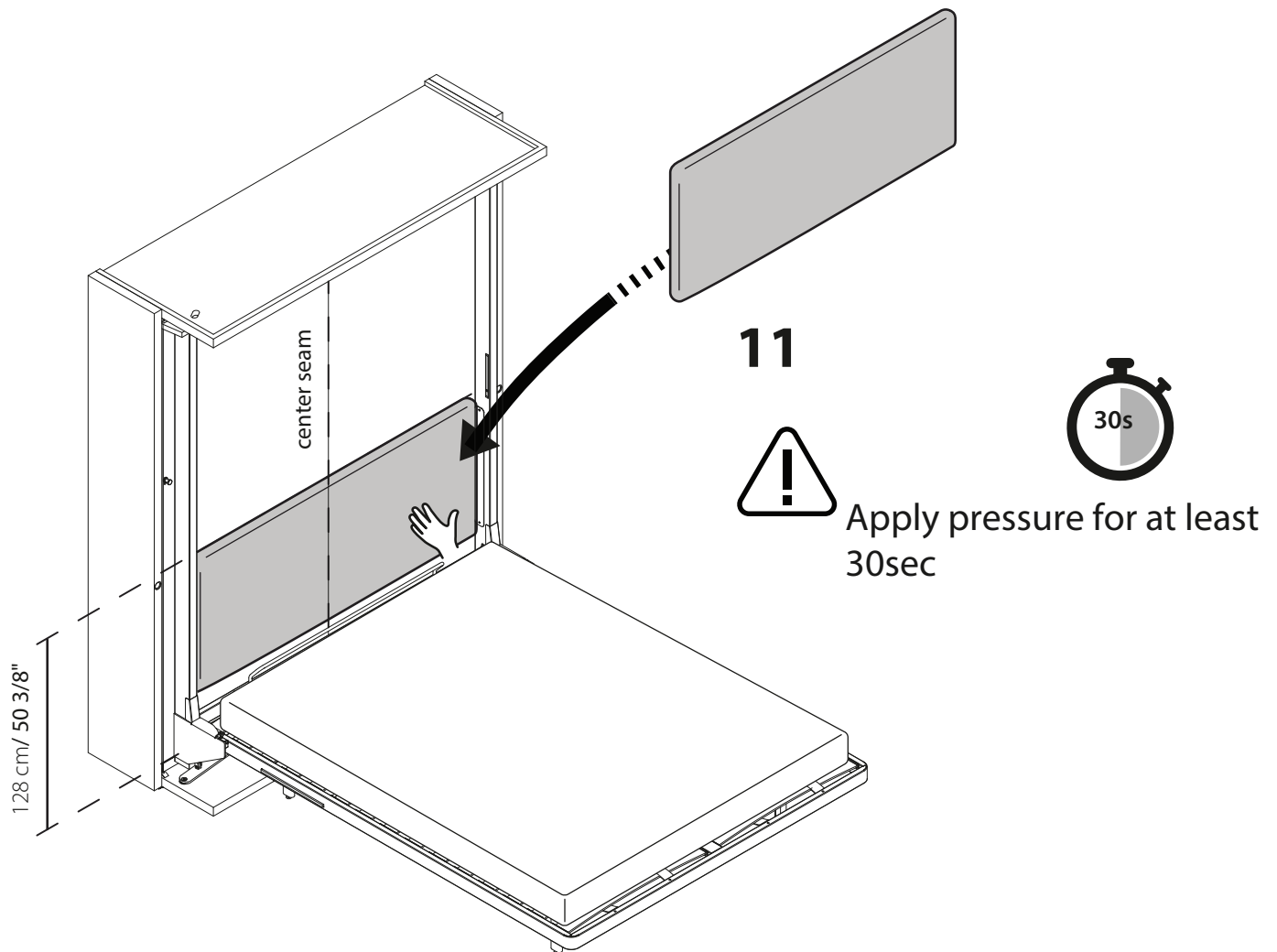


Clean and dry **the surface**

10



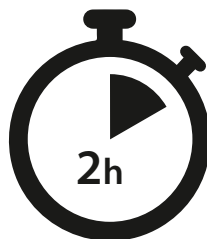
# PLACING THE MATTRESS



12

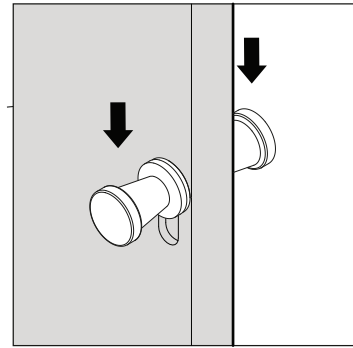
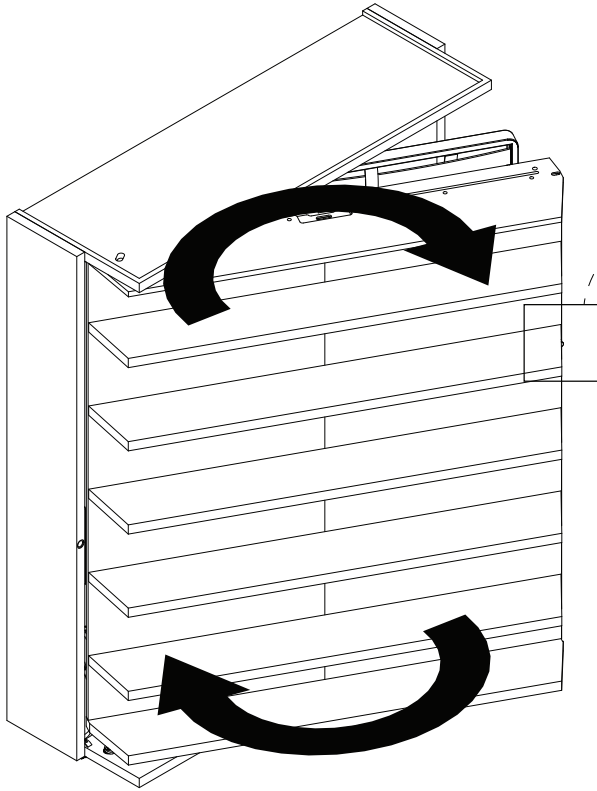


Wait 2 hours before making adjustments to the headboard



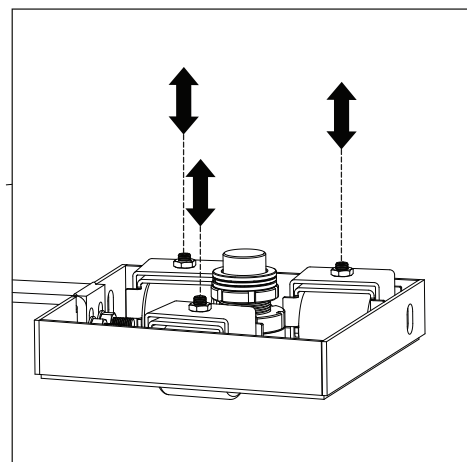
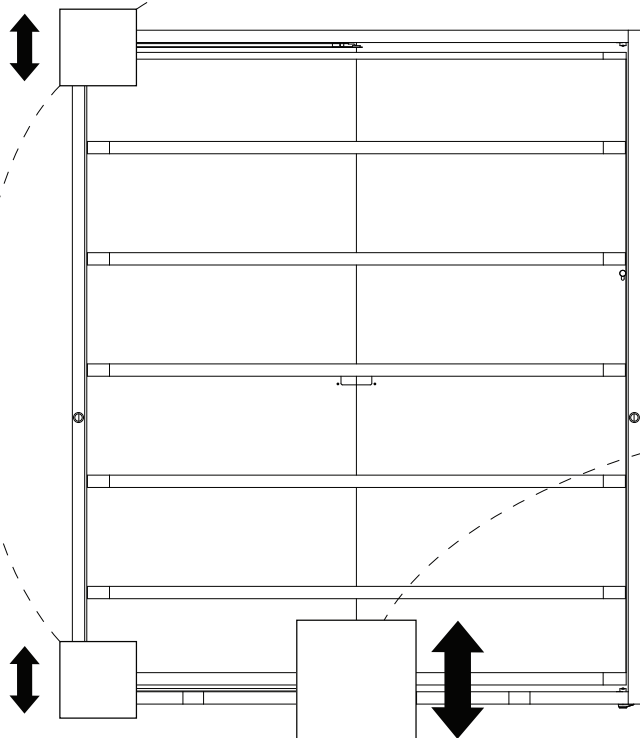
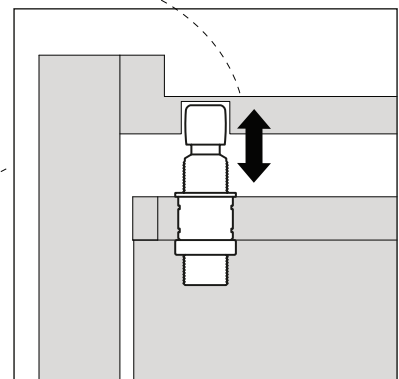


# TESTING THE ROTATION OF THE BED & ADJUSTING THE WHEELS

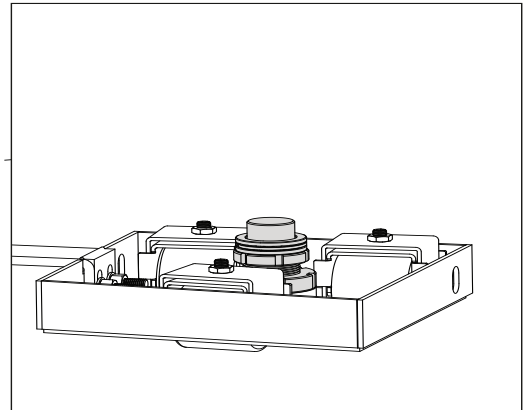
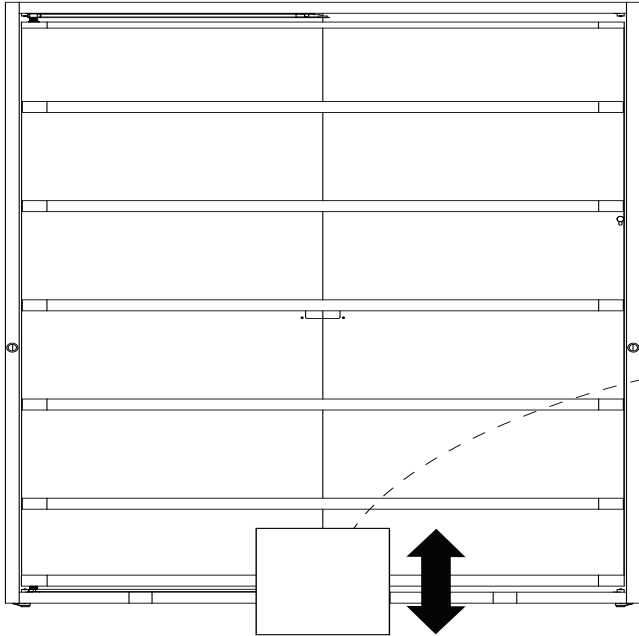


with Rotation Unlock

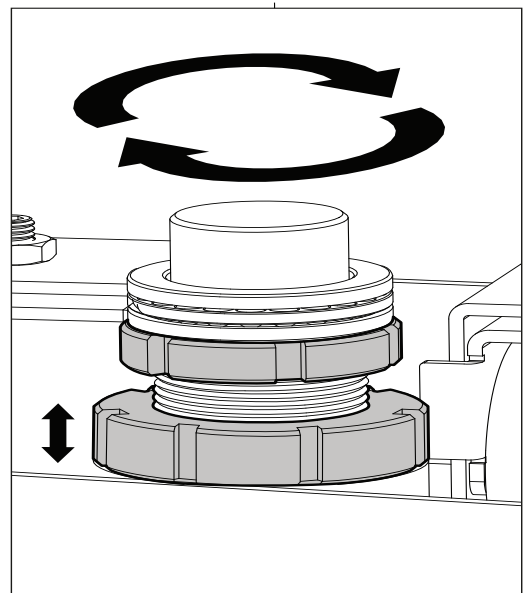
Adjust roller so it moves freely through bed rotation



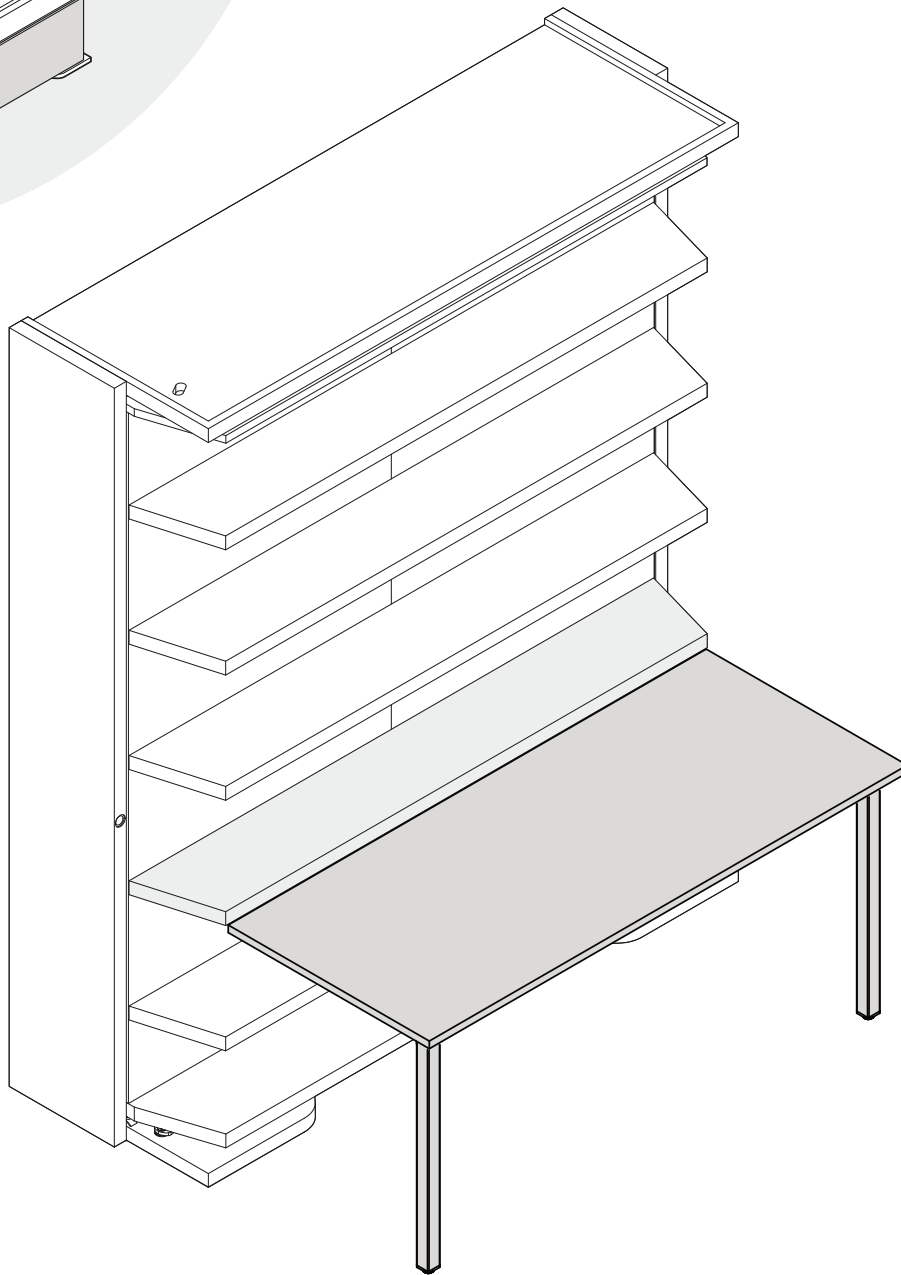
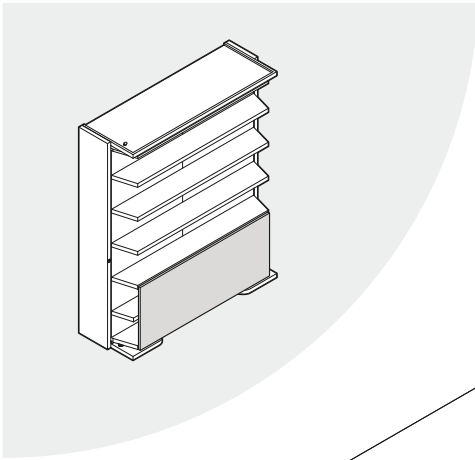
# TESTING THE ROTATION OF THE BED & ADJUSTING THE WHEELS



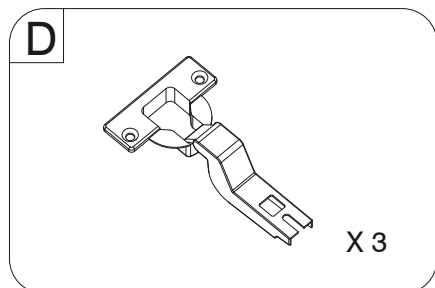
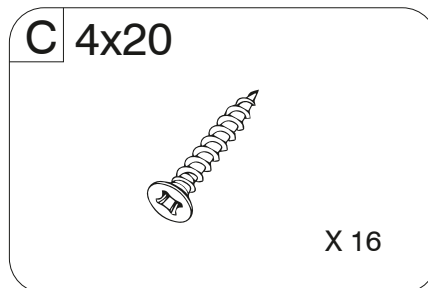
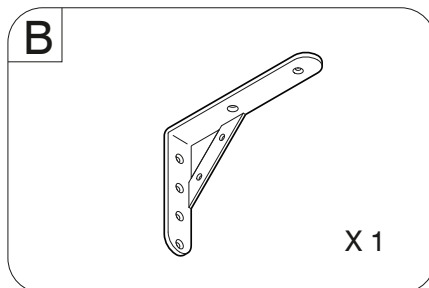
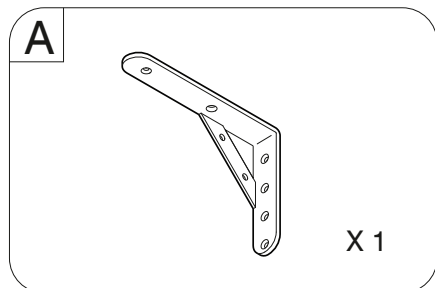
Pre-set height.  
Adjust only if necessary.



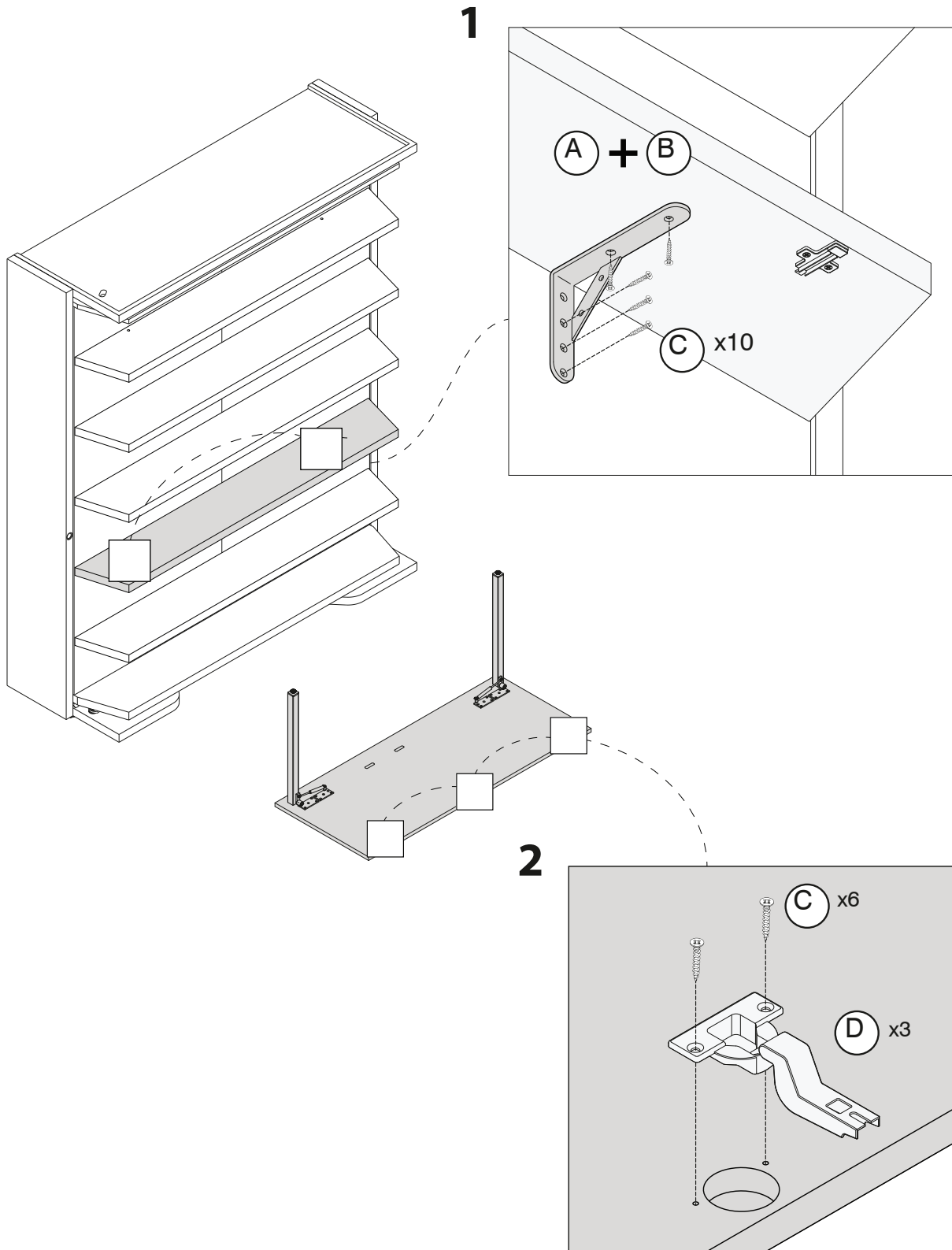
# OPTIONAL TILT UP TABLE



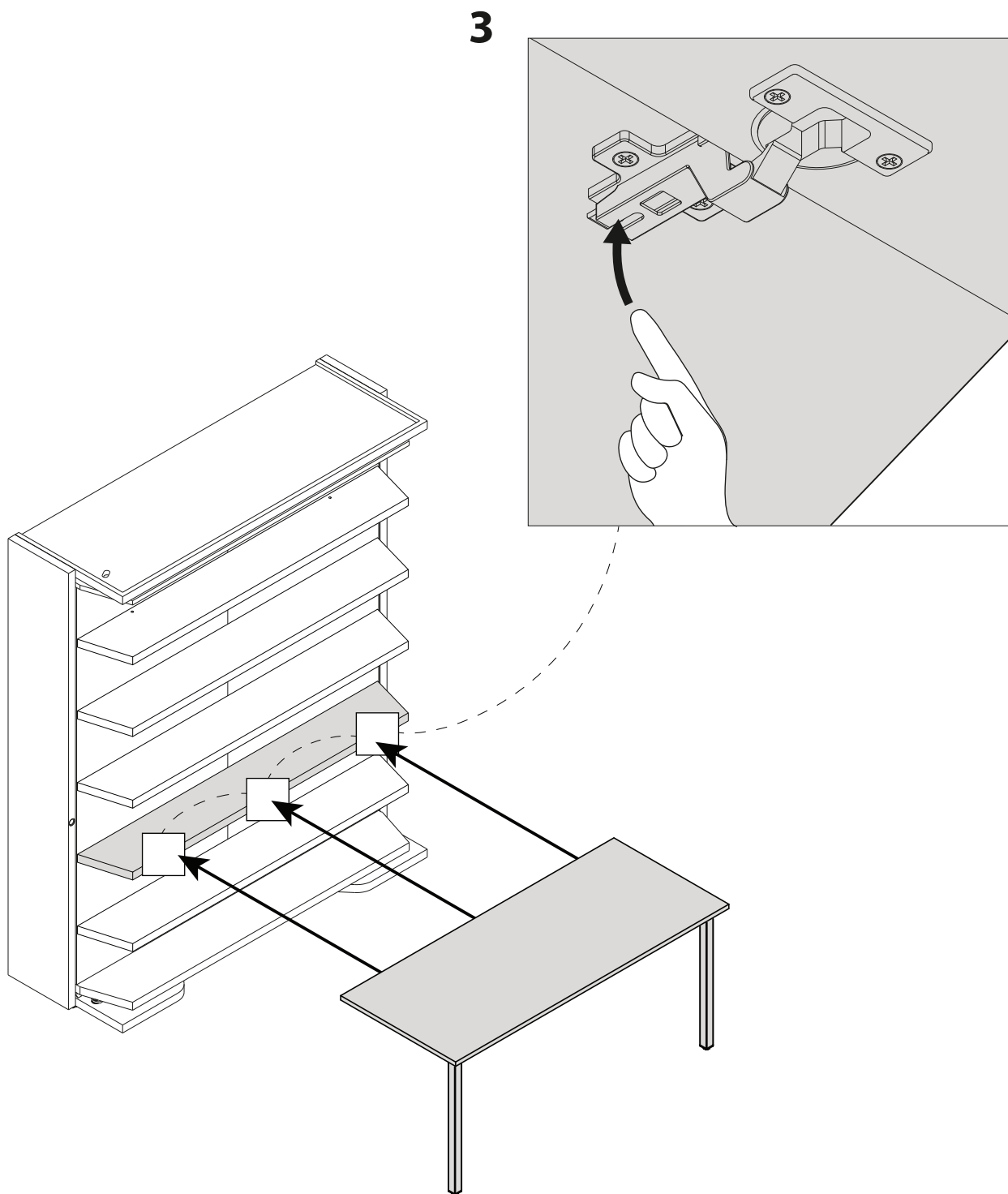
# OPTIONAL TILT UP TABLE ASSEMBLY



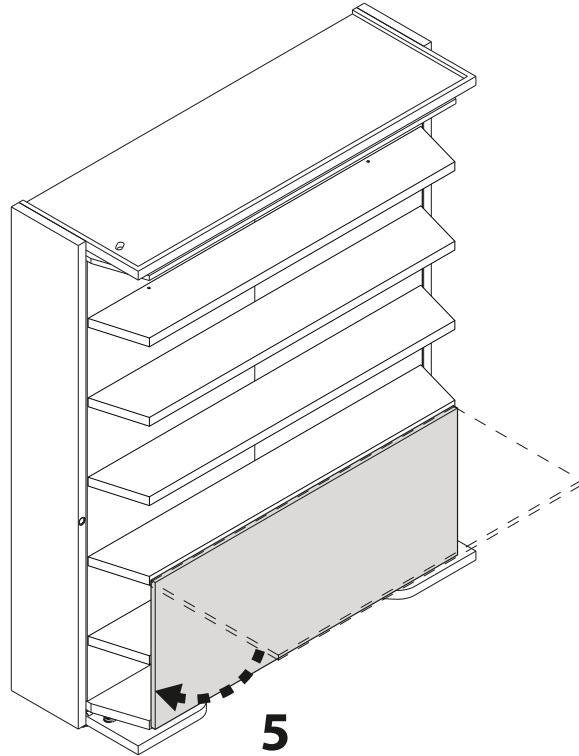
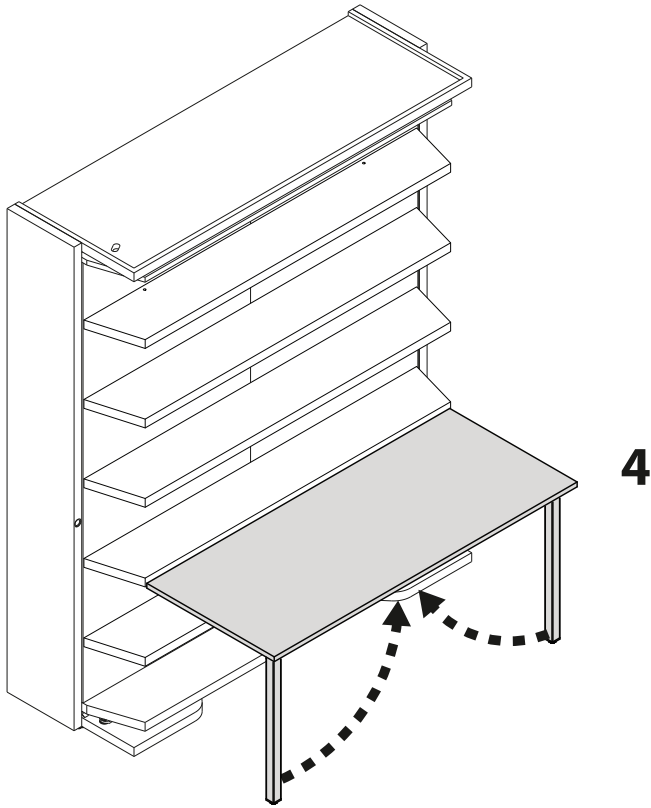
# OPTIONAL TILT UP TABLE ASSEMBLY



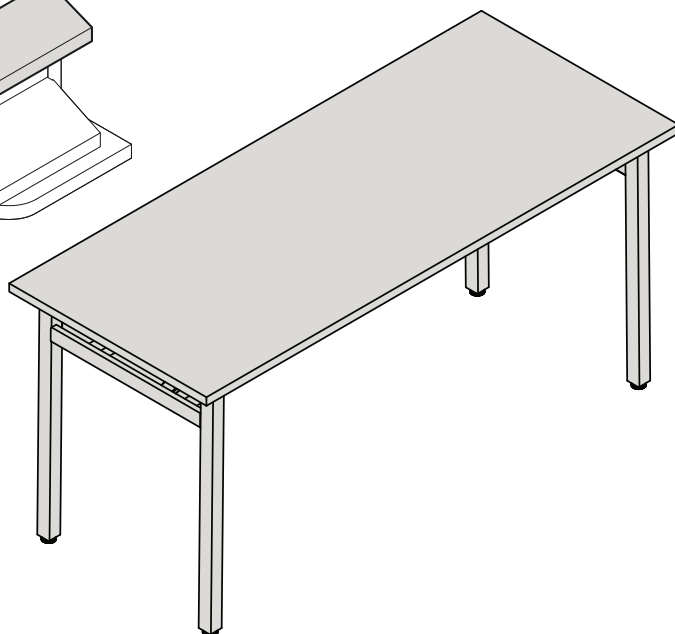
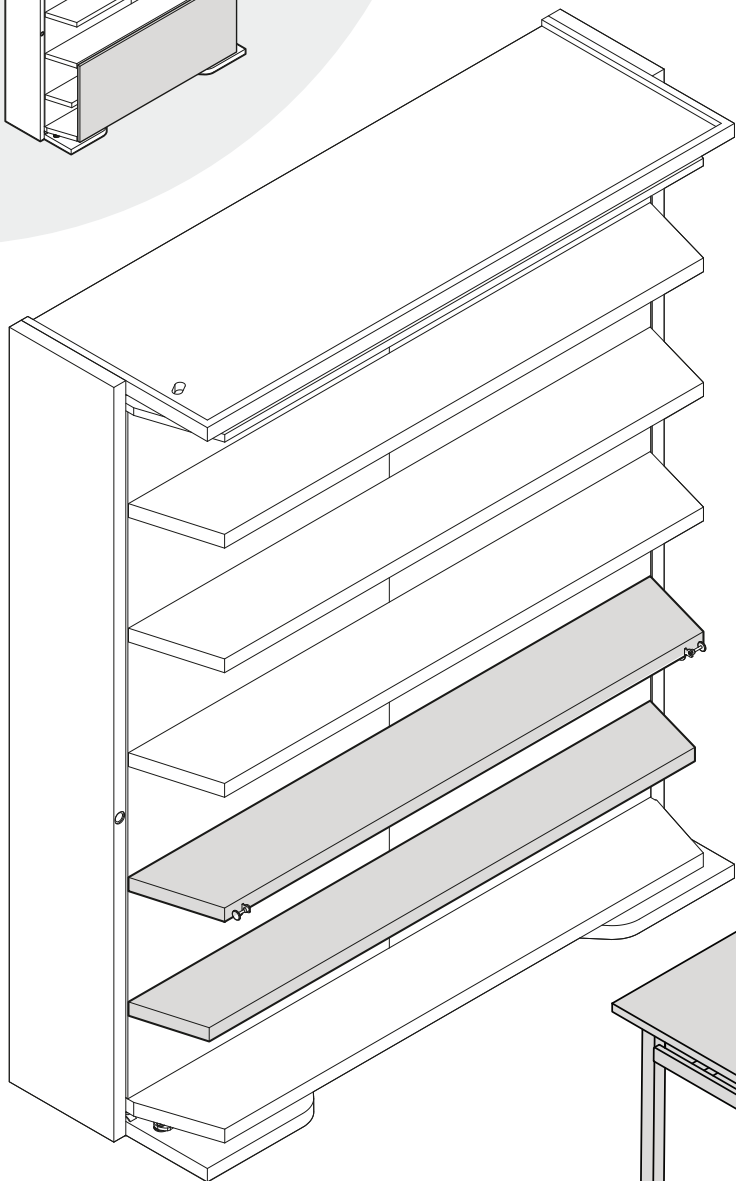
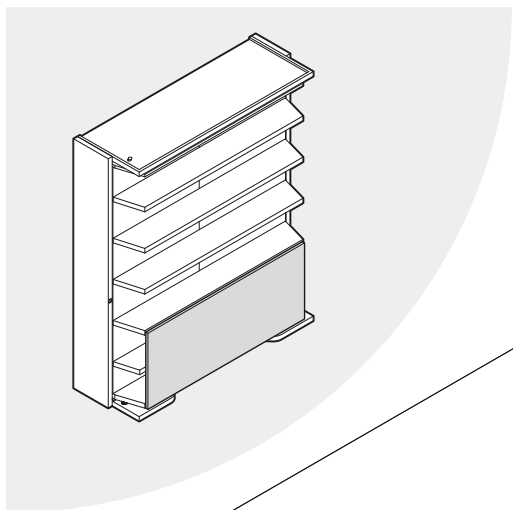
# OPTIONAL TILT UP TABLE ASSEMBLY



# OPTIONAL TILT UP TABLE ASSEMBLY

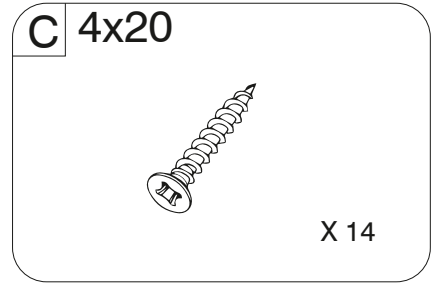
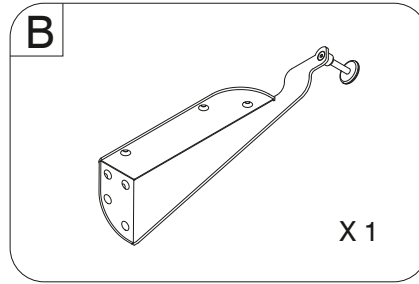
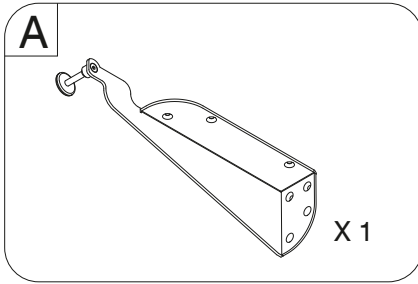


# OPTIONAL FREESTANDING TABLE



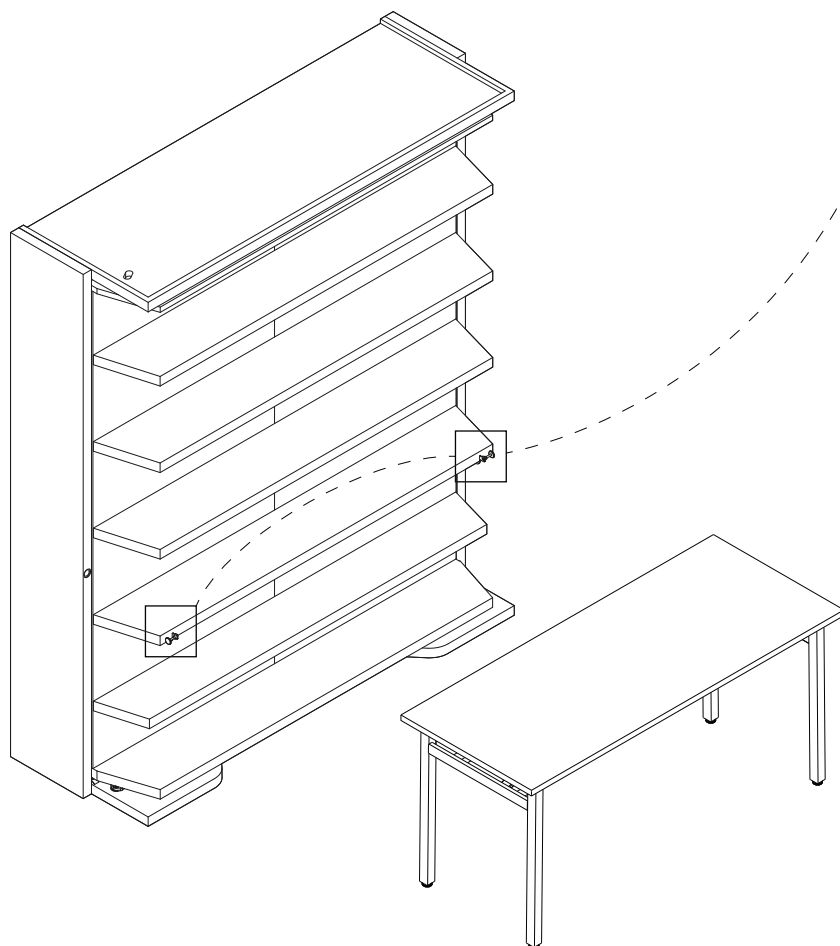
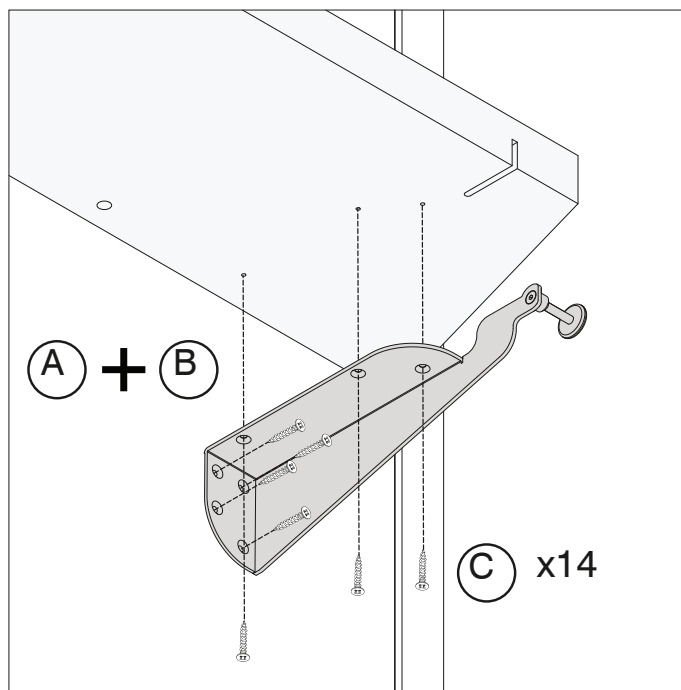


# OPTIONAL FREESTANDING TABLE

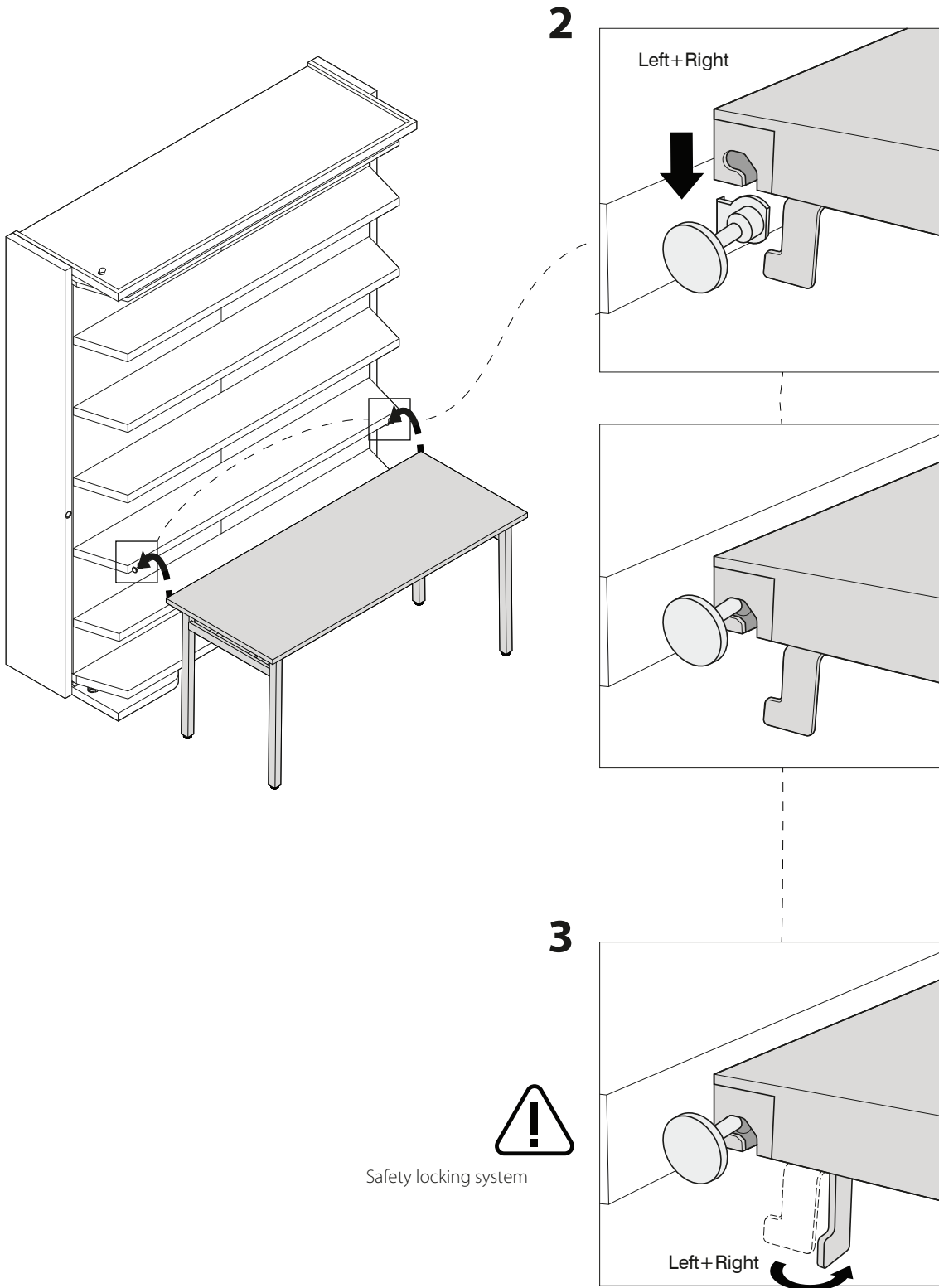


# OPTIONAL FREESTANDING TABLE

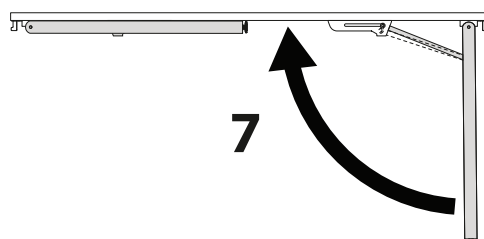
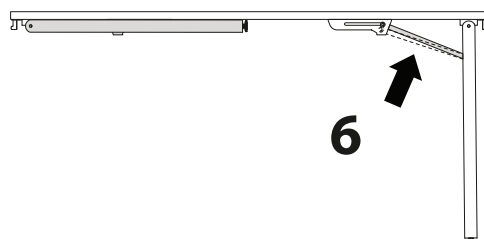
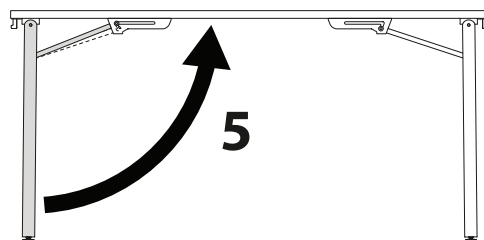
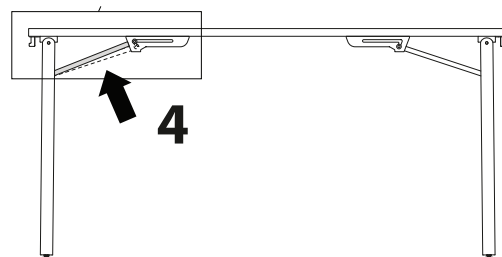
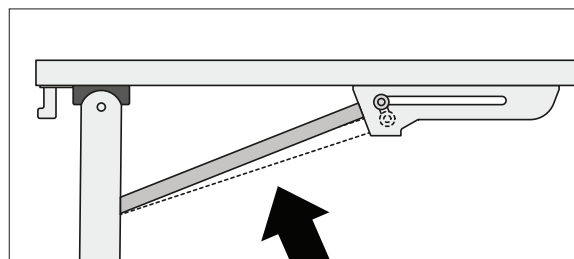
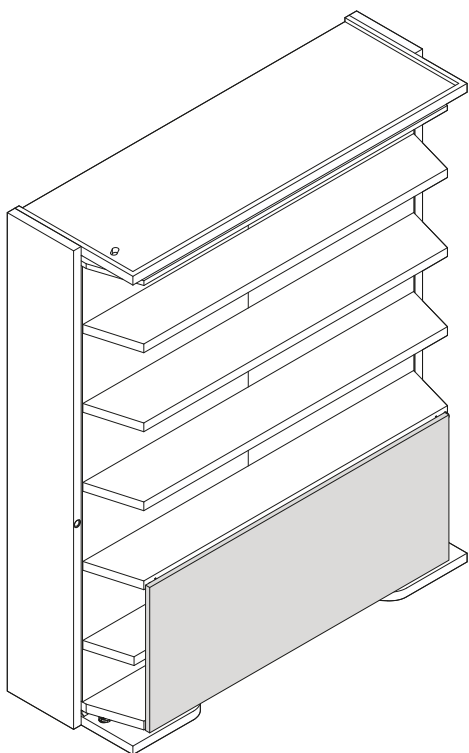
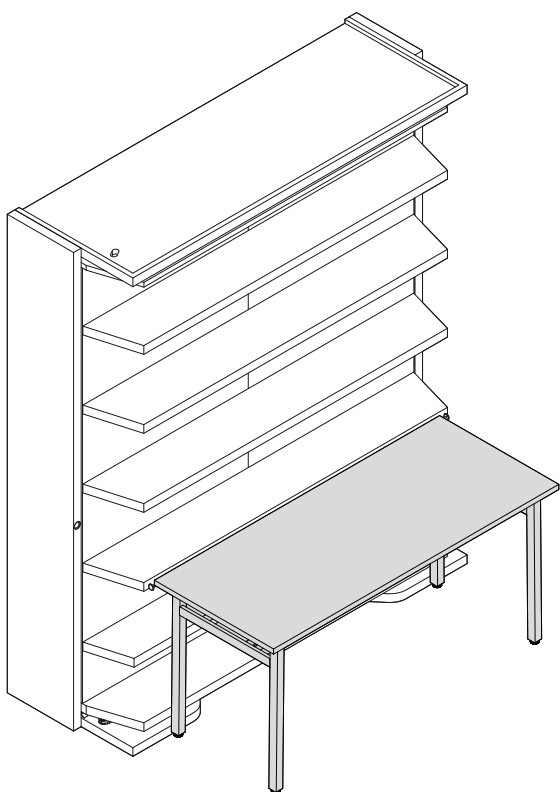
1



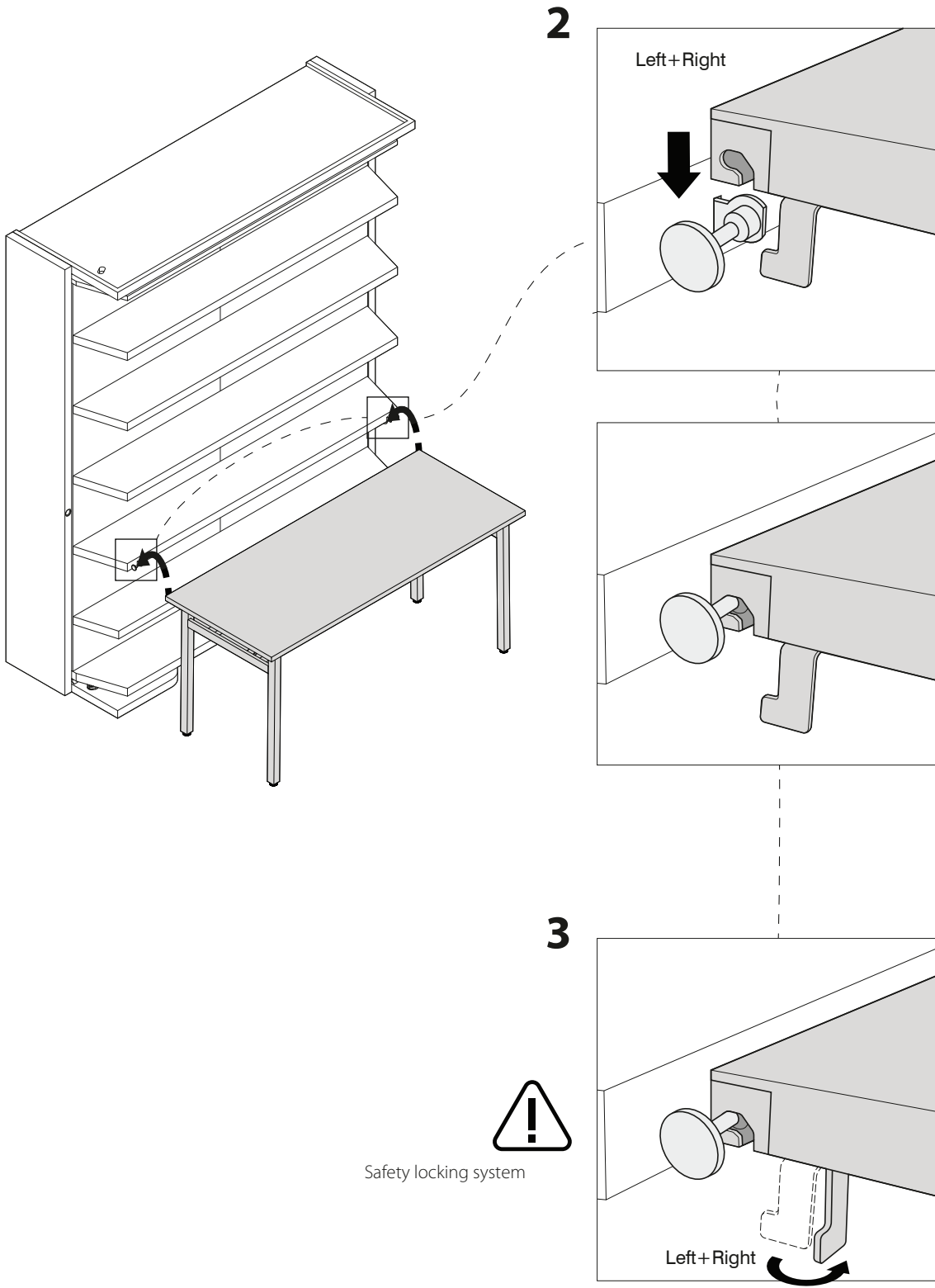
# OPTIONAL FREESTANDING TABLE



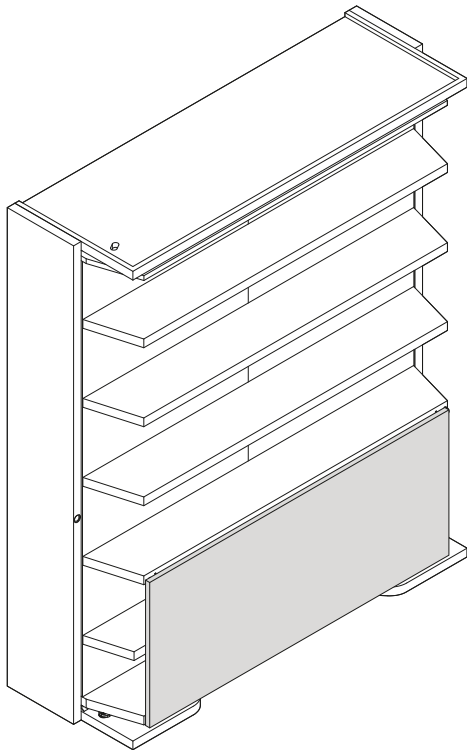
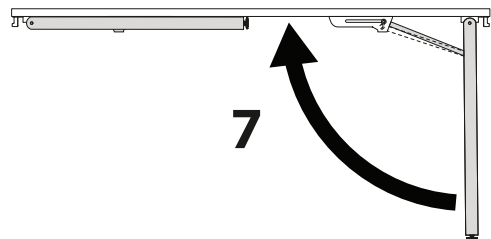
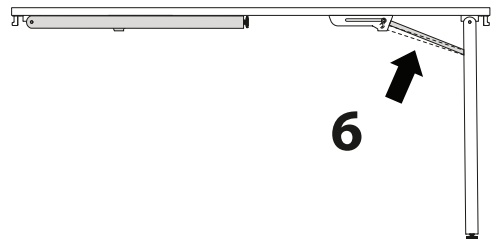
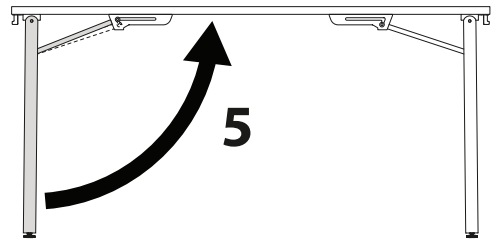
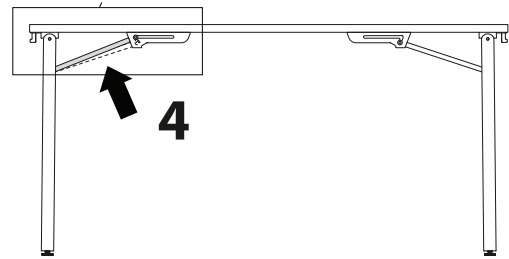
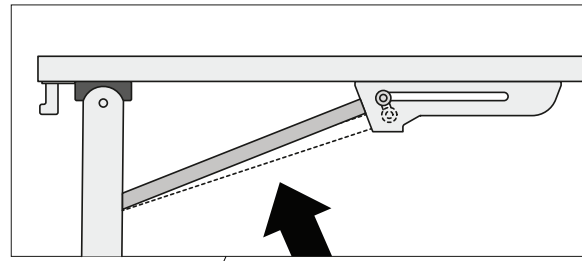
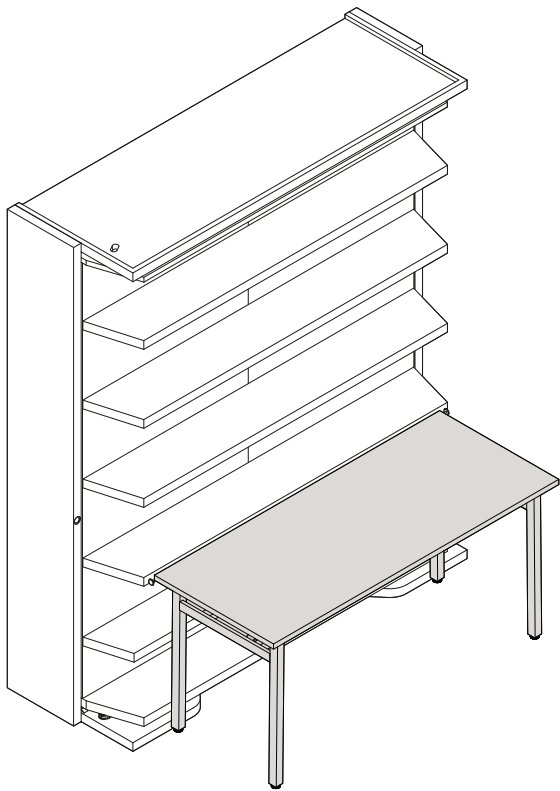
# OPTIONAL FREESTANDING TABLE



# OPTIONAL FREESTANDING TABLE











# OPTIONAL FREESTANDING TABLE



# WARNING PAGE PROVIDED BY MANUFACTURER

TRANSFORMING SYSTEM ASSEMBLY AND SAFETY CAREFULLY READ BEFORE PROCEEDING!

-  Follow with care all points of the assembly procedure, as per technical sheets and their sequence showed in the following pages, and all the safety rules indicated.
-  It is compulsory to fasten the product to intact and strong walls, by not less than 4 fixing points, and place it on perfectly levelled floors.
-  A hardware kit for assembly is supplied, but it does not include plugs for anchoring product to wall, because, to guarantee safety, they must be provided by the installer according to the kind of wall where the product is fixed to, and that manufacturer unknowns.
-  Installer is responsible for workmanlike assembly and test of the product.
-  Installation must be fulfilled by professional and skilled workers; we suggest installer to previously inspect the status of the wall where the product will be fixed to.
-  An incorrect installation may cause incidents and injuries to the final user. Clei is not responsible for any possible alterations, tempering and changes on the transforming system by third parties. Clei refuses any kind of responsibility for improper use of this transforming system like incorrect handling, as well as for any kind of incompetence and negligence by installer and final user.
-  When the transforming system is combined in a composition with cabinets, wardrobes, storage units or bookcases, these elements must be anchored to wall by an independent fastening respect to the one of the transforming system.
-  In case of re-assembly of the product, it is not possible to use the same holes drilled for the original installation. As a result, it is compulsory to place the plates and the plugs selected and used by the installer in a different position.

**CLEI REFUSES ANY KIND OF RESPONSIBILITY FOR ASSEMBLIES NON-COMPLIANT TO THE INSTRUCTIONS AND PROCEDURES DESCRIBED IN THE PRESENT ASSEMBLY MANUAL.**

# CLEI SYSTEM MATERIAL REQUIREMENTS

Attention to environmental issues and therefore our commitment to green design are our organization's competitive advantages. We design and make our products choosing materials that have a low impact on the environment and bearing in mind methods for reducing consumption of materials and waste as well as energy savings. All the products in our collections, therefore, provide for use of CARB2 certified eco-panels, with laser welded edges that are thus without glue, and water-based paints that reduce emissions of harmful substances by 95% compared to solvent-based paints. Ecology and safety guide our choices. All our suppliers are also involved in this policy, with a view to extending the useful life of our products, reducing consumption and increasing environmental quality.

## CARB2

Clei uses CARB2 certified panels with extremely low emissions of formaldehyde. The specific E-LE classification guarantees that the formaldehyde content is limited to the quantity naturally contained in wood.

## WATER-BASED PAINTS

Clei uses only water-based paints that drastically cut emissions of VOCs (Volatile Organic Compounds) as compared to solvent-based paints. Additionally, water-based paints are odourless, non-flammable and have very low toxicity.

Water-based paints conform to the safety standards of furnishing articles and to the directives concerning toys EN 71.3, in other words materials that may occasionally come into contact with children's mouths.

## CARBON FOOTPRINT

The "Carbon footprint" of a company is its ecological profile, that is the environmental impact that can be attributed to the products that it offers on the market. Environmental impact can be measured by assessing factors such as intelligent use of resources, how recyclable they are, and how long the finished products last.

Moreover, there is another factor that is set to become increasingly more important, and that is the reduction of living spaces.

While cities grow, apartments become smaller, and therefore both necessity and practical considerations make Clei transforming furniture ideal for making the most of small-sized housing structures.

It's a simple equation: smaller sizes mean lower consumption of materials, and therefore a lower impact on the environment.

## 100% MADE IN CLEI

It's very easy to say "Made in Italy". But we can go further, proudly stating that our products are totally made in Clei.

This means absolute safety with regard to materials and the quality of processing. But also social strength and support with a guarantee of employment.



**100%**  
MADE IN CLEI



