

# Assembly Instructions

Circe










resource

# WARNING

READ CAREFULLY BEFORE BEGINNING INSTALLATION.

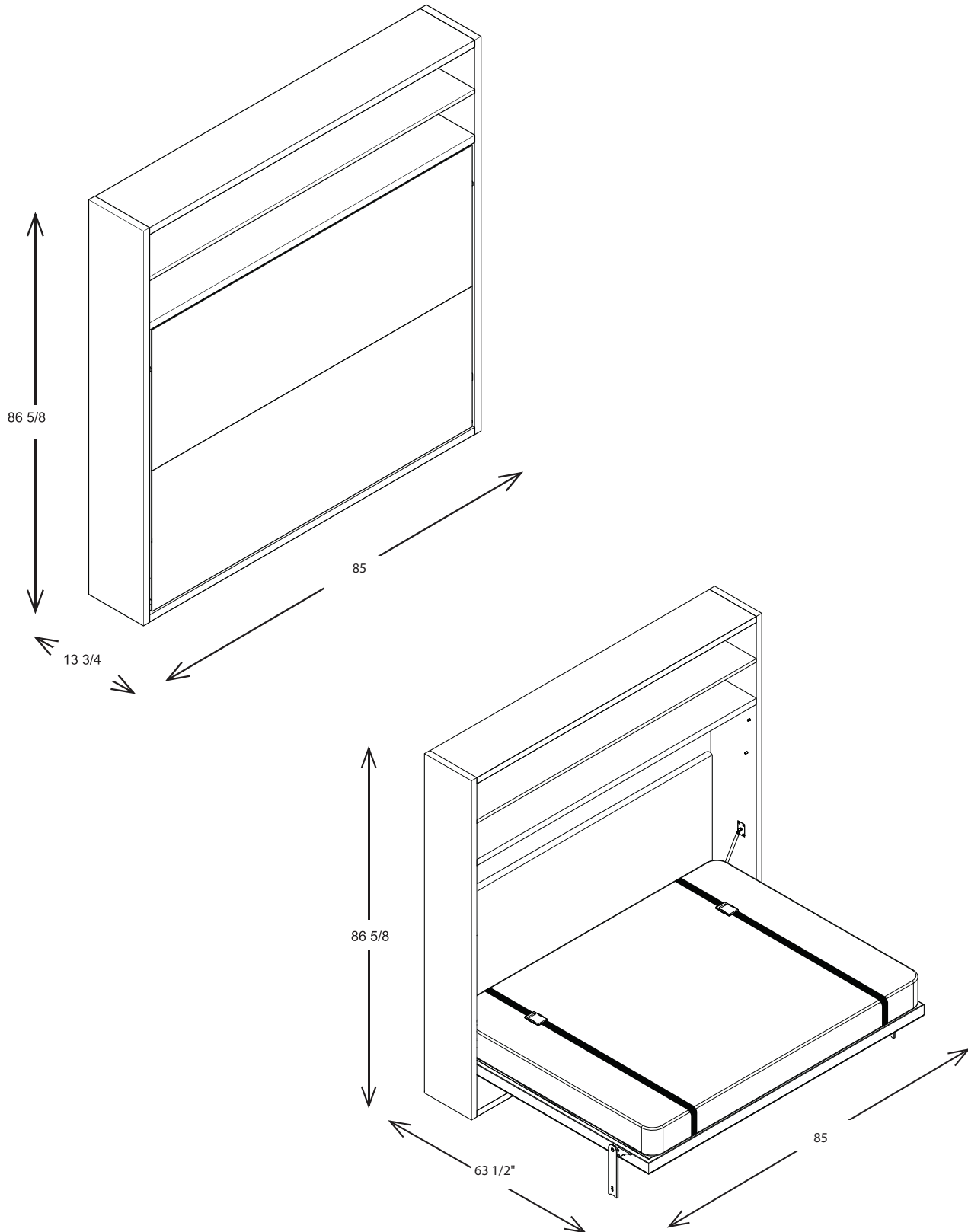
IMPROPER INSTALLATION OF THE PRODUCT MAY CAUSE SERIOUS INJURY

-  Installation must be performed by a licensed contractor or a trained professional, who will ensure proper assembly and installation.
-  Installation must be performed by at least 2 people.
-  Improper installation of this product can cause serious or fatal injury.
-  Improper installation may result in permanent damage to the bed.
-  The wall bed must be secured to the wall in four locations using appropriate hardware. The contractor or installer must select the proper anchoring hardware.
  - The wall anchors included are for solid concrete walls only.
  - Walls with wooden studs: Wood screws must be screwed into wooden studs in the wall.
  - Any other wall composition: A proper wall anchor suitable for the wall's construction must be selected by the contractor or installer.
-  No anchor can be used twice. If the product is removed from the wall, new anchor holes must be drilled and new hardware must be used.
-  All hardware must be properly tightened. No parts of the model should be left loose or unstable.

Warranties for all products purchased from Resource Furniture, LLC are only valid if the product has been properly assembled, installed by a trained professional, and operated in accordance with the assembly instructions.

Resource Furniture accepts no responsibility for any damage or injury caused by improper installation.

# CIRCE OVERVIEW



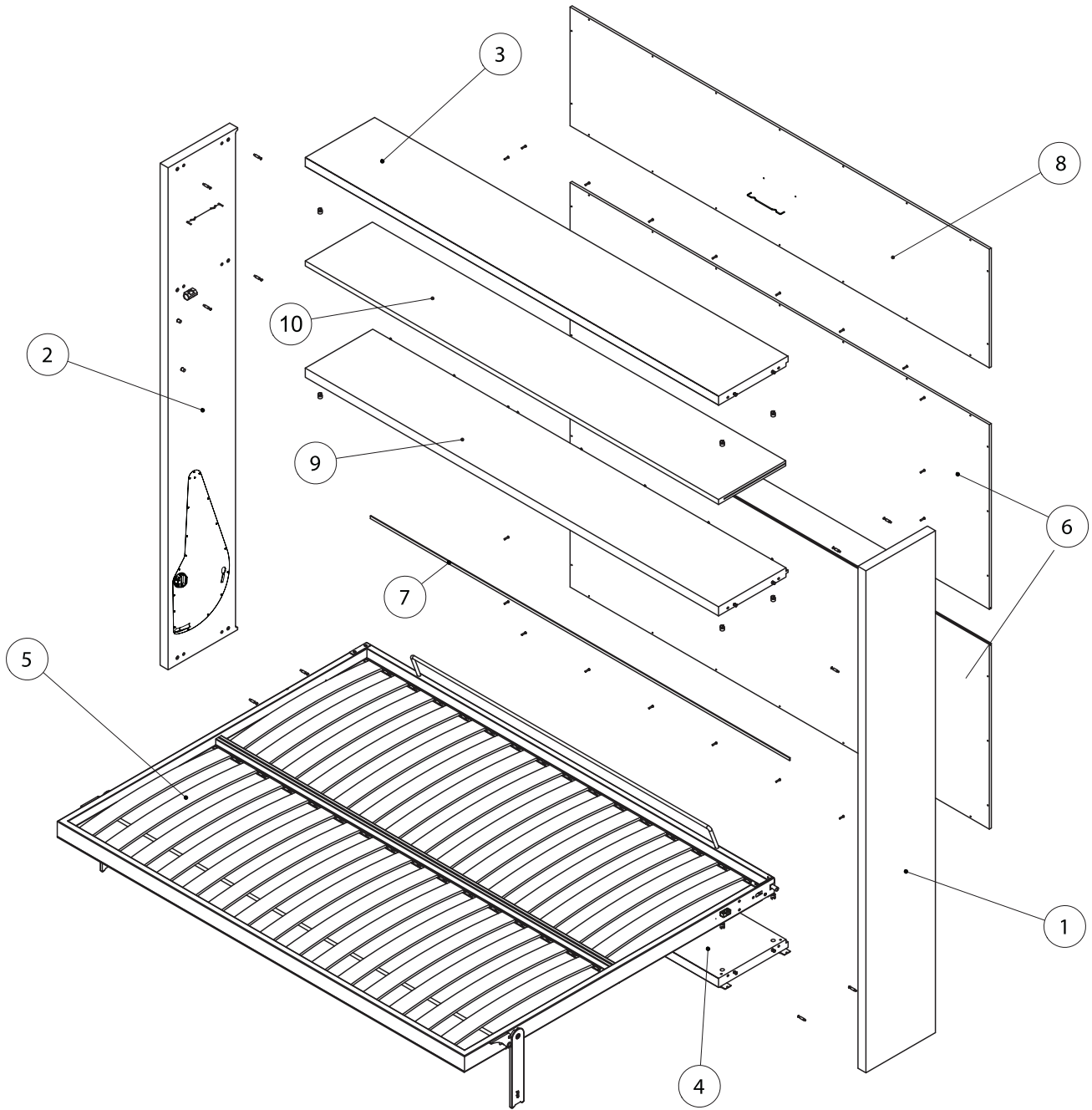
## CIRCE MATTRESS SPECIFICATIONS

Recommended weight: ~ 66 lbs

Recommended dimensions:  $78 \frac{3}{4} \times 59 \times 7$ "

Recommended dimensions with headboard:  $75 \times 59 \times 7$ "

# CIRCE OVERVIEW



# CIRCE OVERVIEW

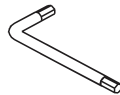
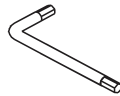
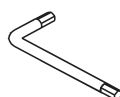


**Note:** bed base cannot be disassembled

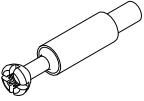
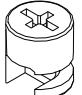
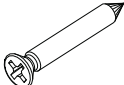

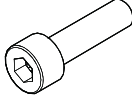
# CIRCE COMPONENTS

CODE	QTY.	COMPONENTS
1	1	Right side panel
2	1	Left side panel
3	1	Top horizontal panel
4	1	Bottom horizontal panel
5	1	Bed base
6	2	Lower back panels
7	1	Spline to join lower back panels
8	1	Top back panel
9	1	Structural shelf
10	1	Shelf

# CIRCE TOOLS

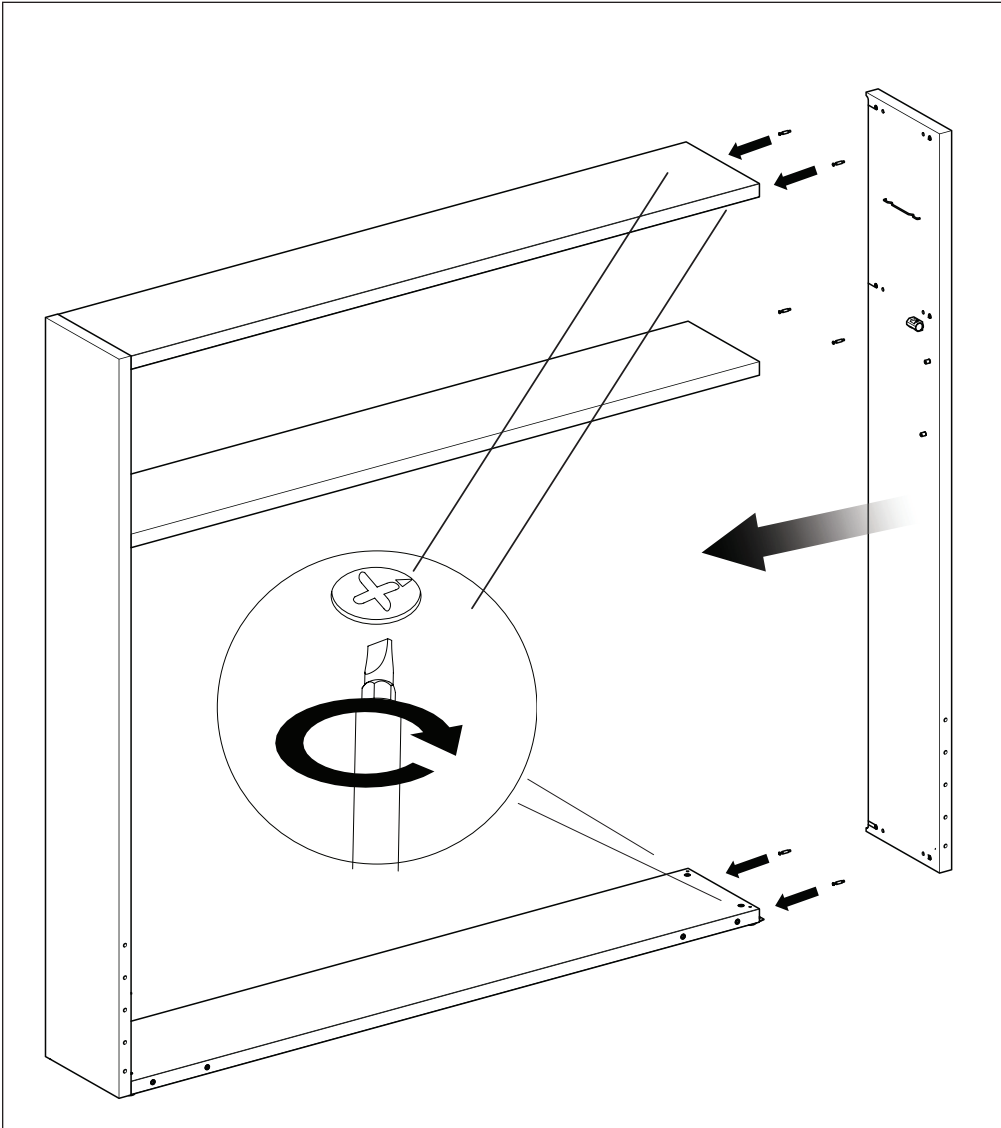
QTY.	DESCRIPTION	
1	Allen wrench 3 MM	
1	Allen wrench 5 MM	
1	Allen wrench 6 MM	

# CIRCE STRUCTURAL HARDWARE

CODE	QTY.	COMPONENT	DESCRIPTION	
A	12	7 x 36 6MA	Pins	
B	12	D15 L17	Cam Connectors	
C	44	3.5 x 20	Wood screws for attaching back panels to structure	
D	3		Shelf support	
E	4	5MA x 20 TPSE	Machine bolts for attaching bed base to structure	

# STRUCTURE ASSEMBLY

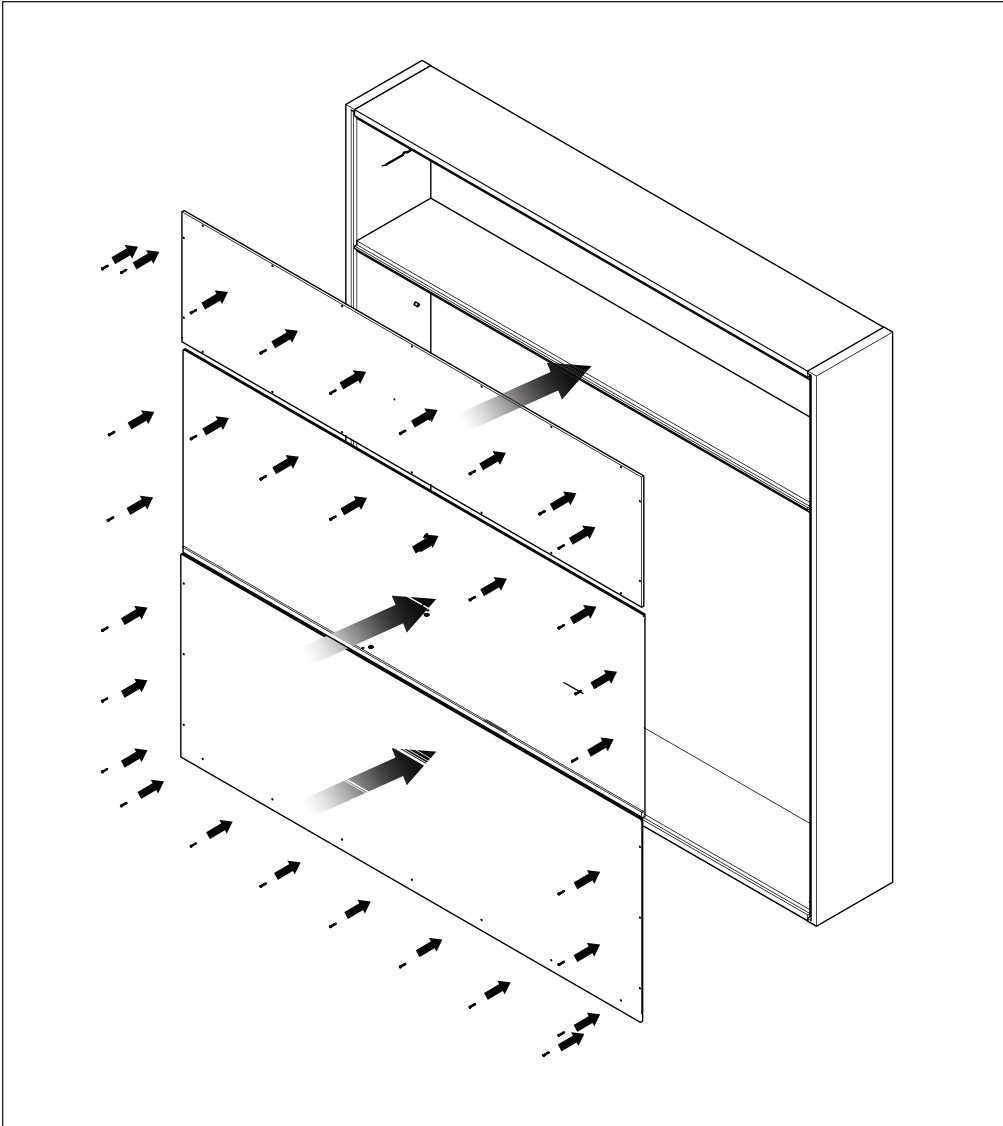
- 1 Screw 6 (A) pins into both the (1) right vertical and (2) left vertical panels. Attach the (3) horizontal bottom panel ; (4) horizontal top panel and (14) structural shelf to the vertical panels by inserting and tightening 12 (B) cams.





# STRUCTURE ASSEMBLY

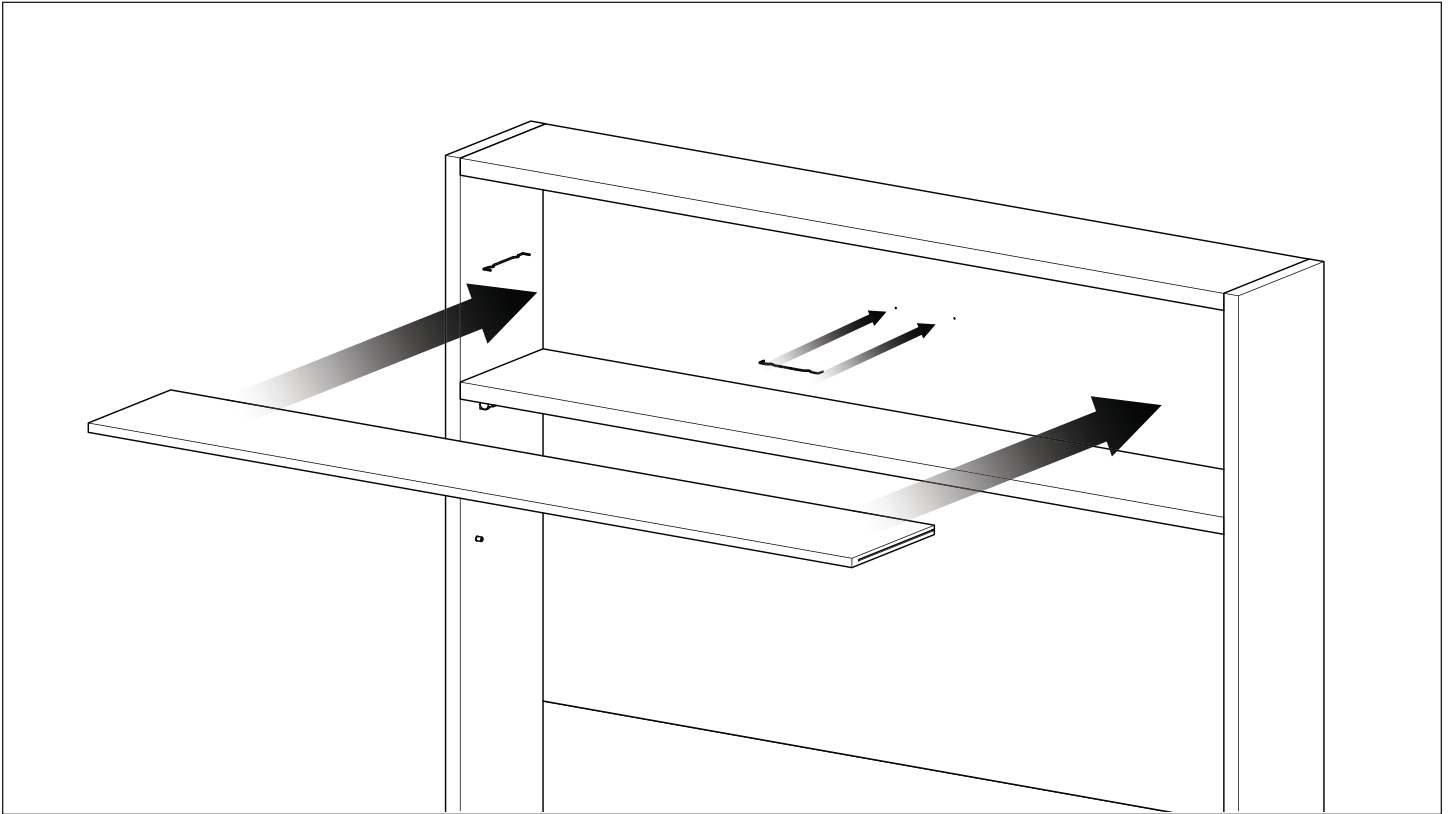
- 2** Attach the (7) lower back panels to the structure using (C) wood screws. Insert (8) back panel spline into lower back panel. Then place the (7) upper back panel on top of the spline, fastening it to the structure using (C) wood screws. Attach the (8) top back panel to the structure using (C) wood screws.



# STRUCTURE ASSEMBLY

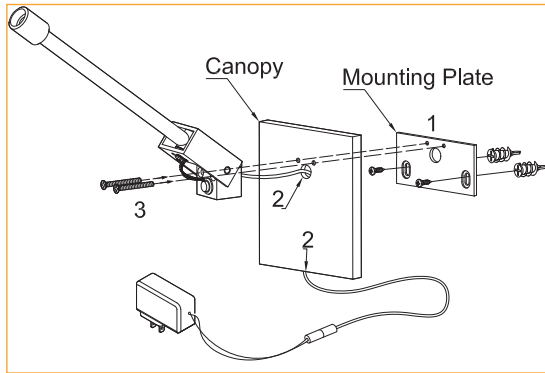
3

Insert the (15) shelf using the (D) shelf support.

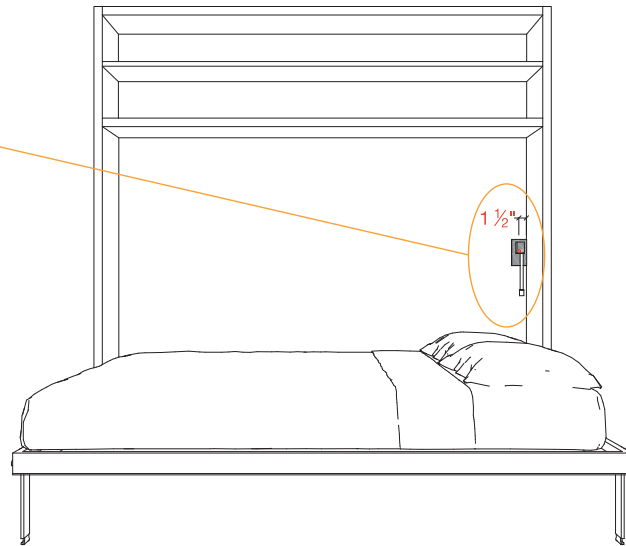


# OPTIONAL WAND LIGHTING

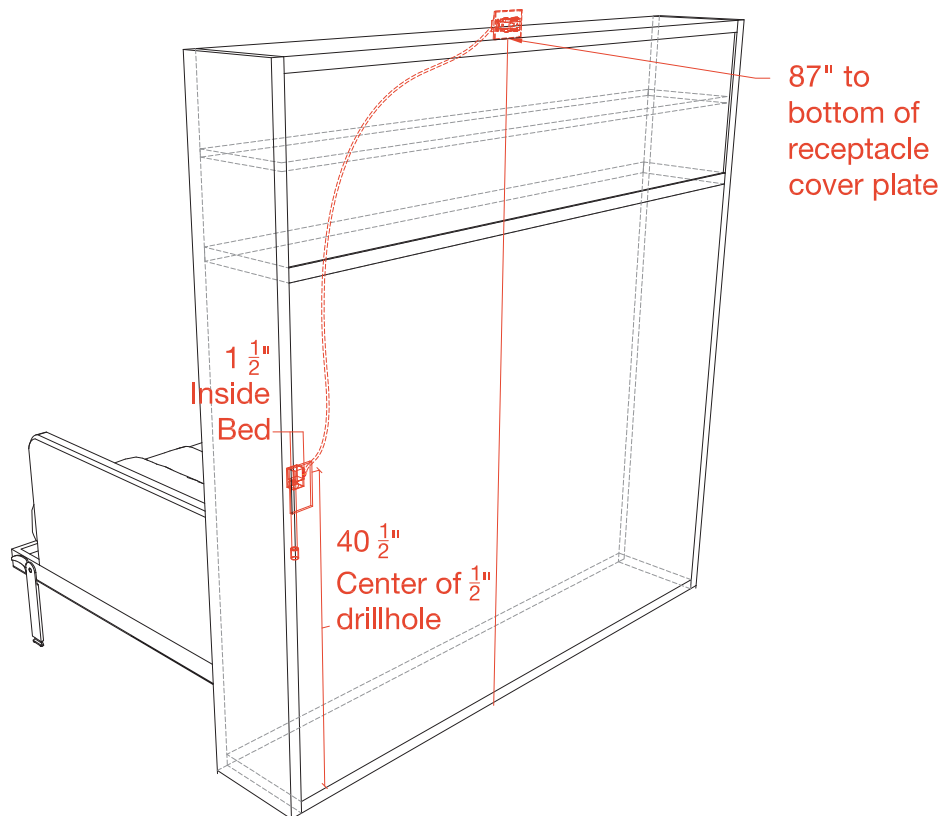
- 4 Drill  $\frac{1}{2}$ " hole at  $40 \frac{1}{2}$ " measured from the bottom of the structure (from inside) and  $1 \frac{1}{2}$ " in from the side. Install mounting Plate with provided wood screws, aligning the  $\frac{1}{2}$ " drill holes.



Wand Light Exploded Diagram  
Cord Length = 118"



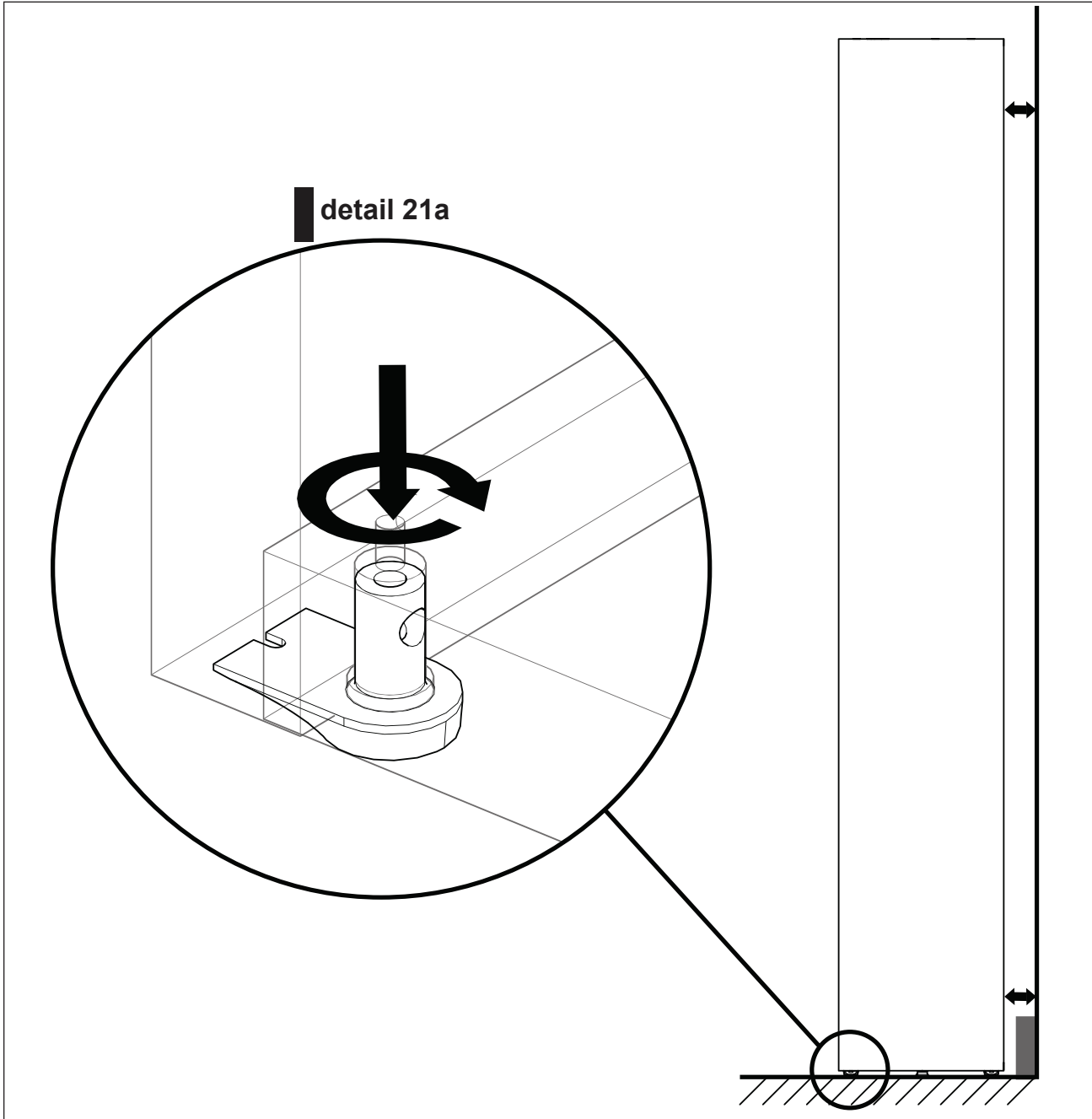
Front



Back

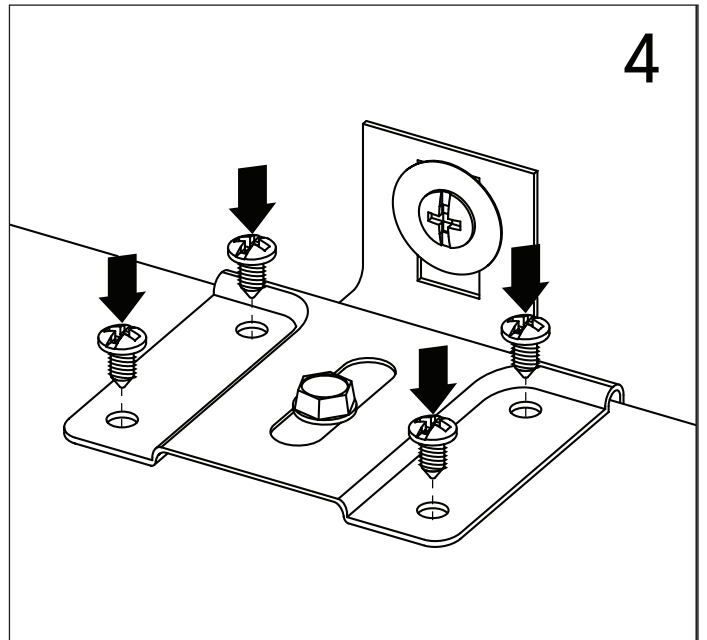
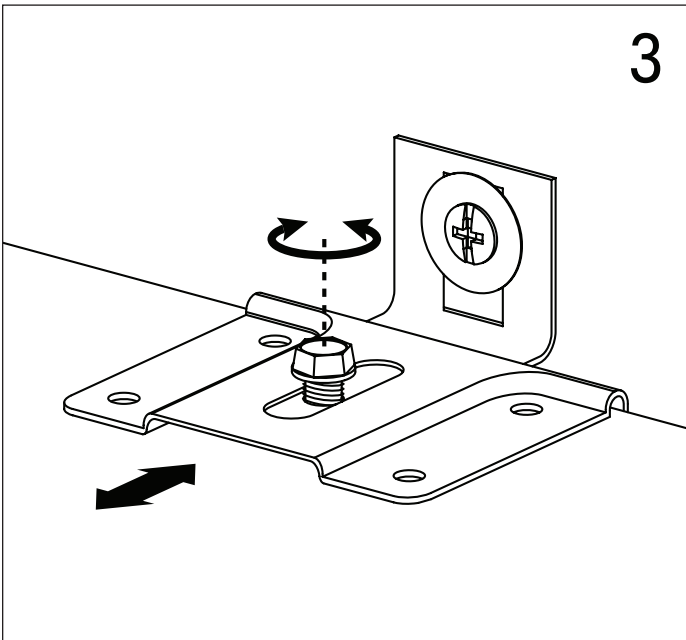
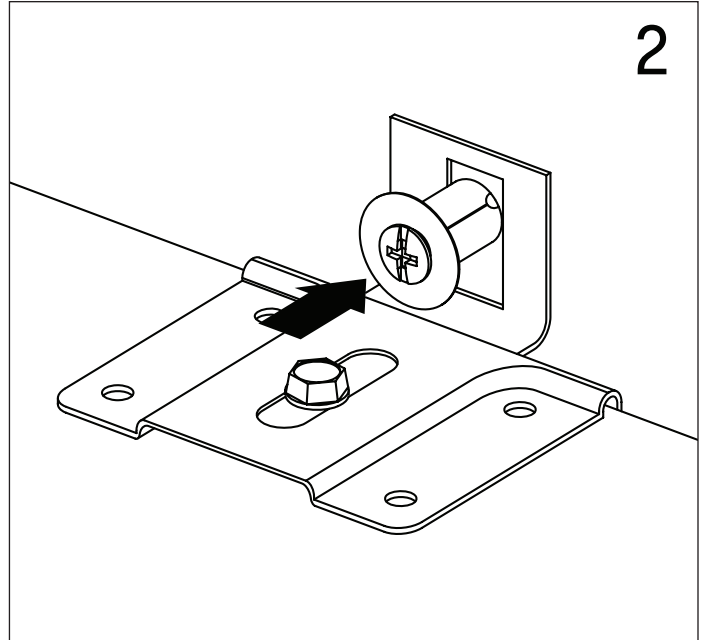
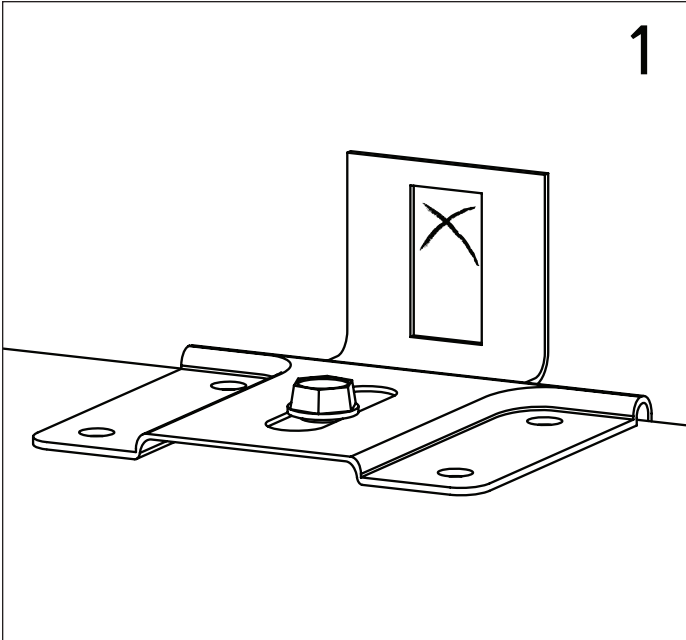
# LEVELING THE STRUCTURE

- 5 Ensure that the structure is level and plumb. To compensate for any floor unevenness, use the adjustable feet on the bottom panel (det. 21a) to level the structure.



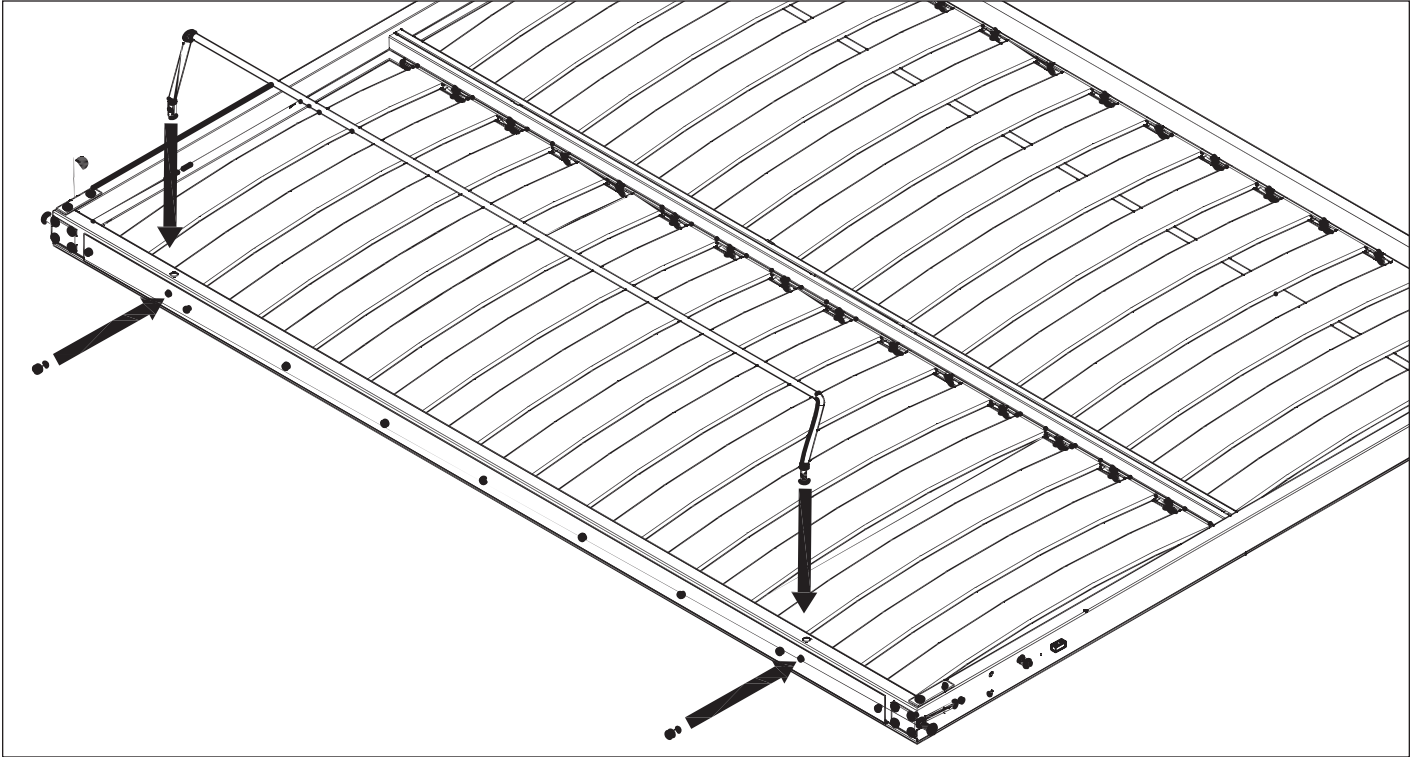
# WALL BED ATTACHMENT

**6** After the unit is level and plumb it should be securely attached to the wall using the metal angle mounting brackets as shown in the images below. A proper wall anchor suitable for the wall's construction must be selected by the contractor or installer.



# MATTRESS BAR INSTALLATION

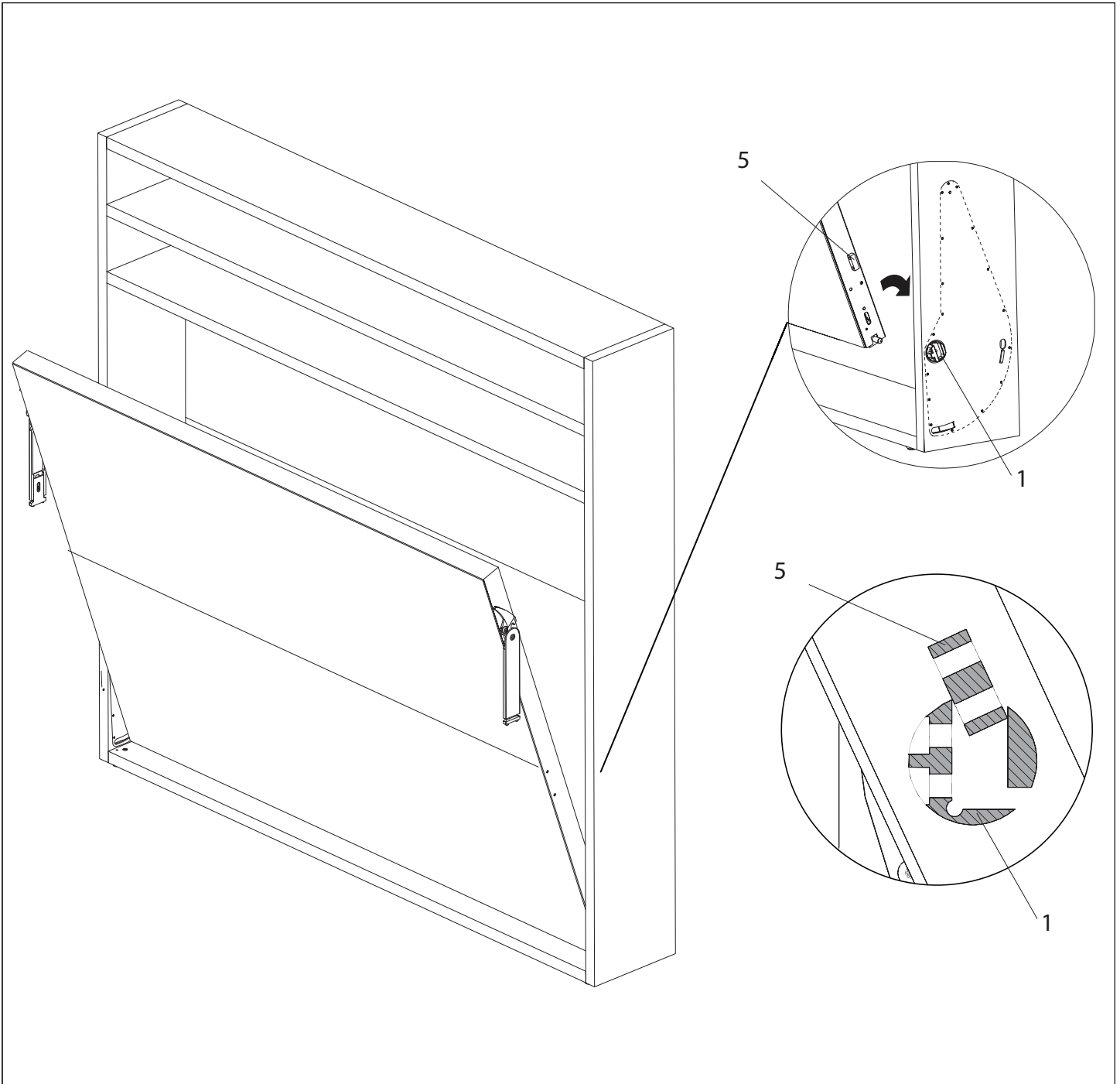
- 7** Fasten the (13) mattress support bar to the (5) bed frame using the attached bolt to each bar. Mattress bar must be installed before the bed base is inserted into the structure.



# BED BASE INSTALLATION

8

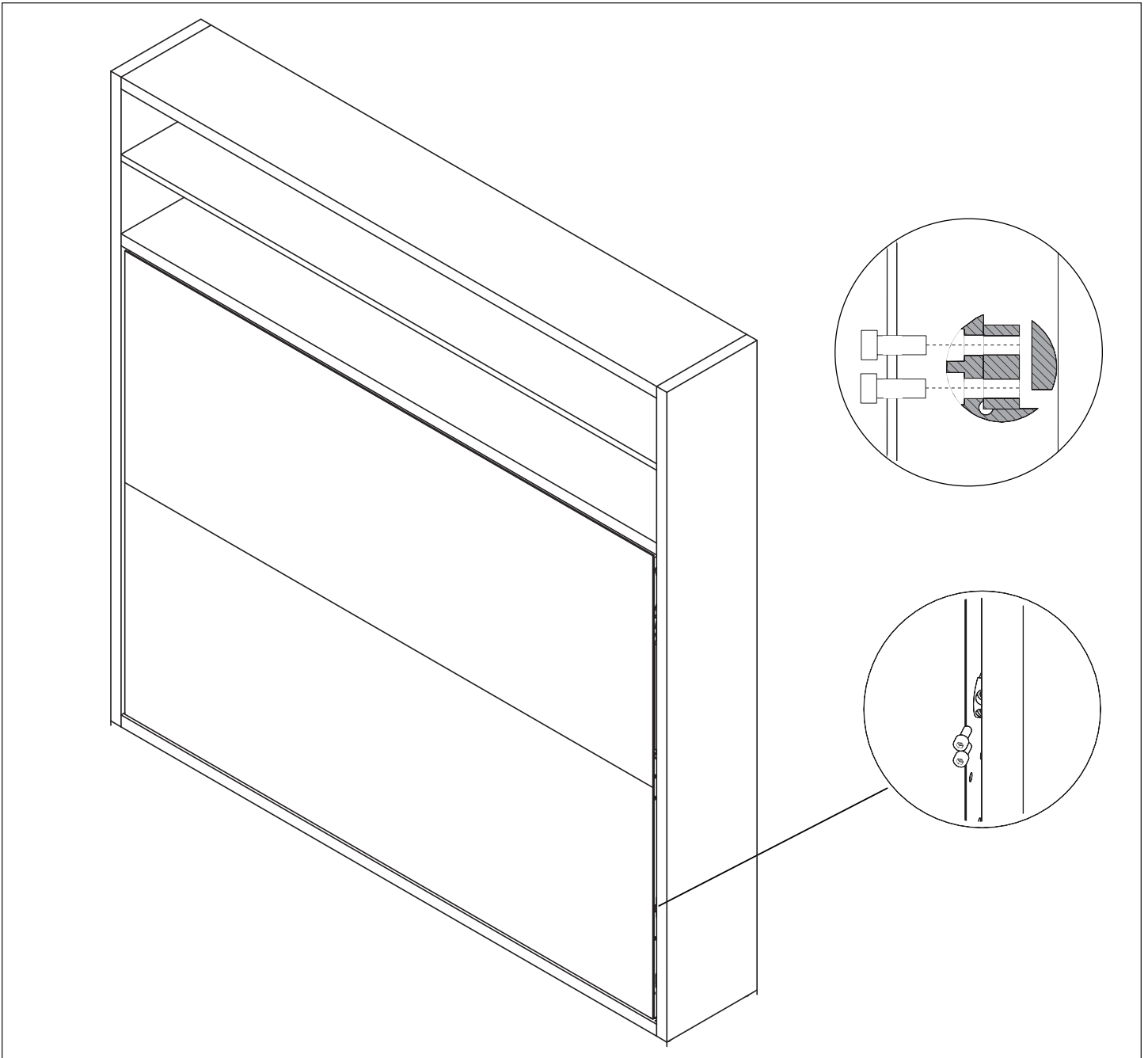
Inserting the bed base into the structure.



# BED BASE INSTALLATION

9

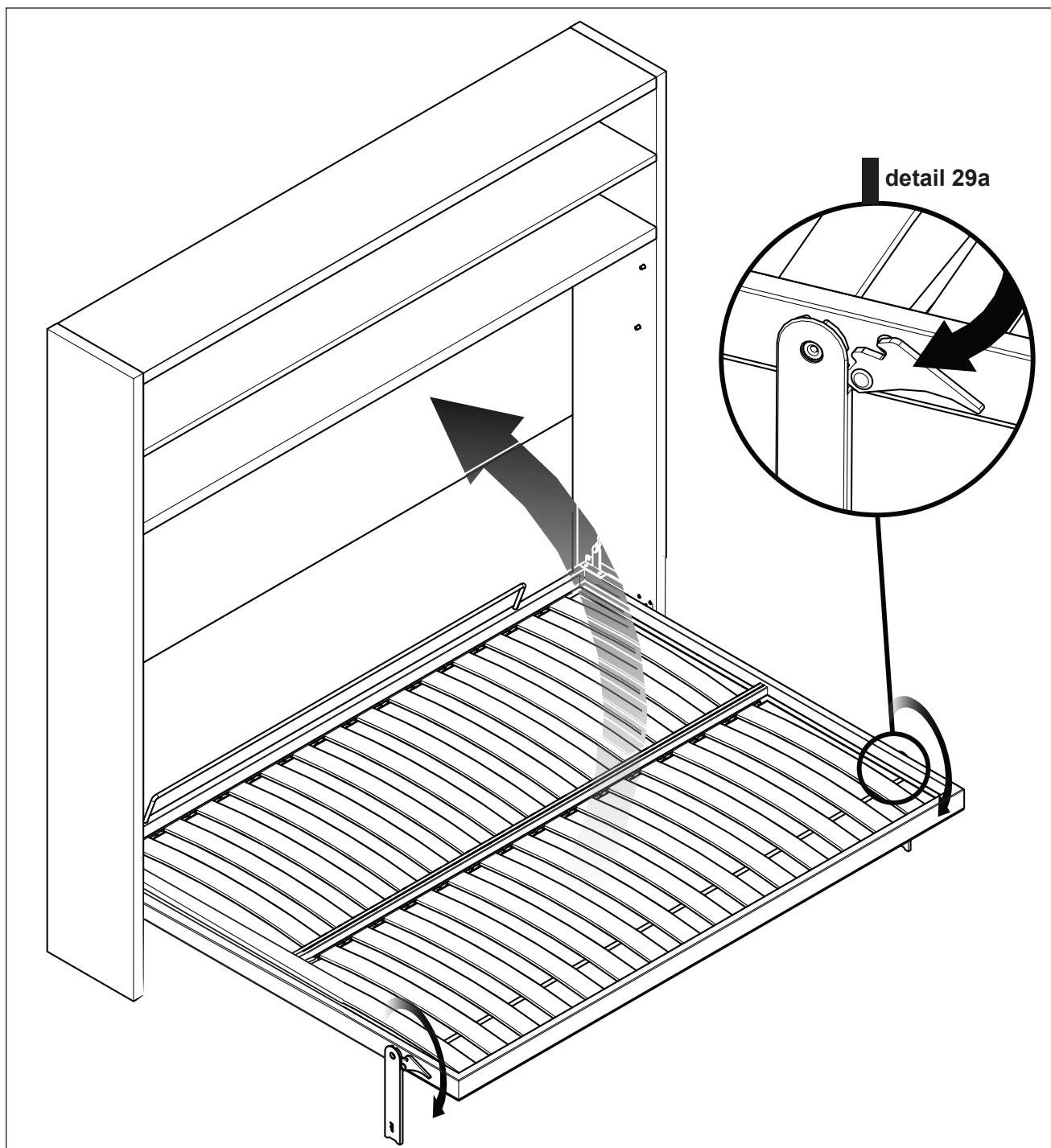
Attach the bed base to the structure using 4 machine bolts (E).





# BED OPERATION


- 10** To open the bed, gently lift one of the two legs upwards so that it unlocks the safety latch directly above it. If the leg is lifted too much (lying perpendicular to the structure), pull down on the safety latch directly above. Do NOT attempt to open the bed without unlocking the safety latch. The safety latches will automatically lock once the bed is fully open.



# SAFELY OPERATING YOUR CIRCE BED

## OPENING YOUR CIRCE WALL BED

- 1 With a finger, pull out the bottom of one of the legs located in the space between the front panel and the structure of the bed. Lift up the leg about 30 degrees to release the safety latch.

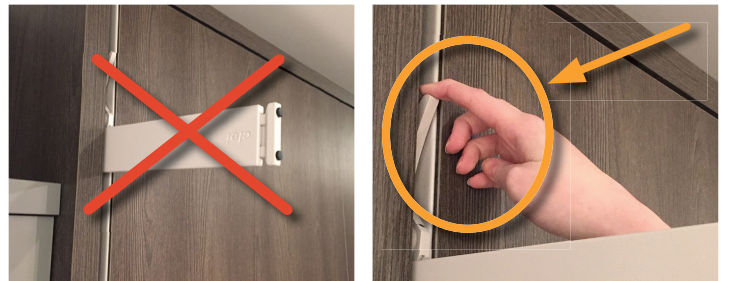
 **Do not attempt to close the bed without releasing the safety latch.** If you lift the leg too far in error, pull down on the safety latch above the leg to release.



- 2 Grasp either one of the legs to pull the bed down.

Make sure to **support the bed frame** for the entire descent until both legs are resting on the floor.

**NOTE:** The Circe will then be safely locked in place in the open position.



- 3 **Release** the two mattress **straps** by squeezing the center of the clasp.

**Tuck** the **straps** under the mattress.



- 4 **See you in the morning!**

 **Do not attempt to close the bed without releasing the safety latch. See reverse for instructions on releasing the safety latch.**



# SAFELY OPERATING YOUR CIRCE BED

## CLOSING YOUR CIRCE WALL BED



**Do not attempt to close the bed without releasing the safety latch.**

1

**Remove bed pillows** and tuck bedding in on all sides around and under the mattress.

**Latch** both mattress straps over the bedding.

2

**Release one of the safety latches.** Stand at the foot of the bed at either corner. Using one hand, **apply gentle downward pressure on the bed** while **pushing down on one of the release levers** with the other hand. You do not have to release both latches.

Once properly released, the bed will be easy to lift. If you feel any resistance, let go and repeat step 2.



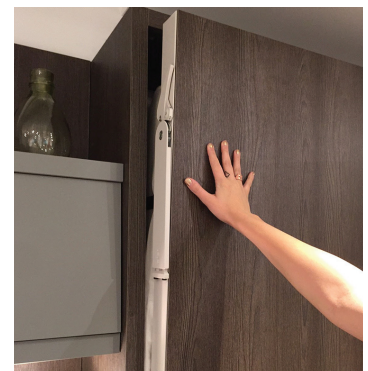
Oh, and did we mention: **Do not attempt to close the bed without releasing the safety latch?** I thought so.

3

Continue to **lift bed frame** as you walk forward toward wall. **Push bed frame** into structure until you hear both safety latches above the legs **“click” into place**. This indicates that the bed is now fully locked.

4

**Have a great day!**



**NOTE:** Your Circe is designed so that most bedding can remain on the bed when closed. If you experience difficulty closing the bed, your bedding might be too thick.

