

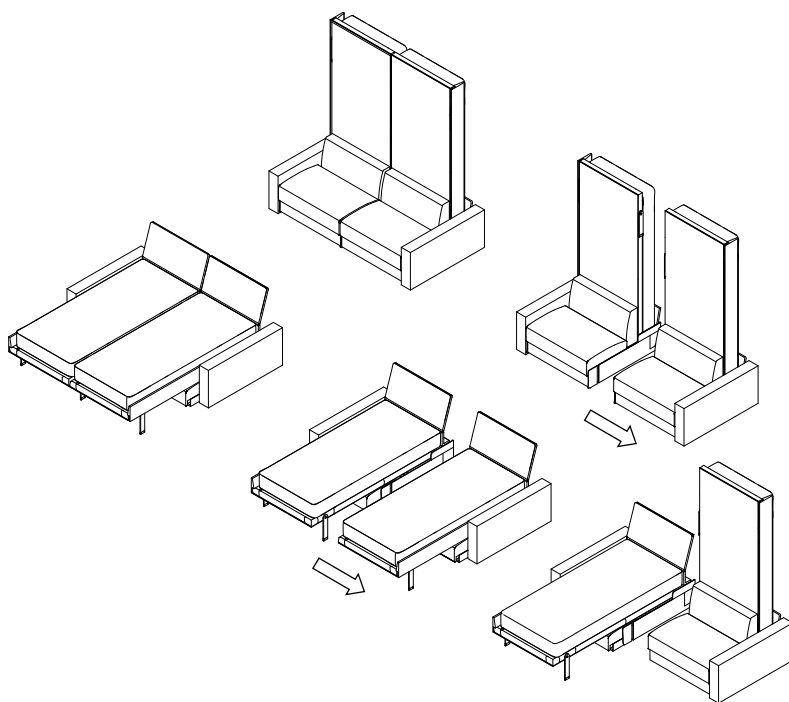
# Assembly Instructions

## Ella and Louis



resource

# ELLA & LOUIS





# WARNINGS

**Read carefully before proceeding!**

- **It is compulsory to carefully carry out the assembly procedure in any single step, exactly as per sequence and numbering indicated in the next pages.**
- **Installation must be performed by qualified personnel: wrong installation of the model can cause accidents that can lead to serious injury to the user.**
- **The installer is responsible for workmanlike assembly and testing of the product.**

- **Ella & Louis is self-supporting.**

This product is delivered disassembled and provided with specific assembly instructions.

It must be assembled standing on a perfectly flat floor.

We suggest anchoring to wall the rail for sliding, to get more stability in the movements.

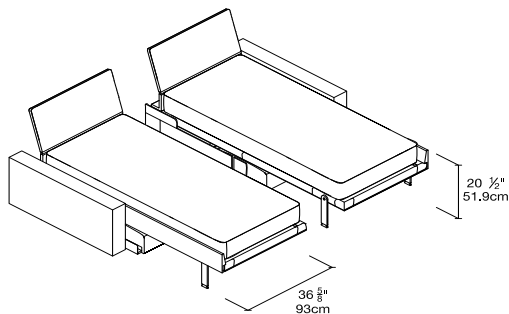
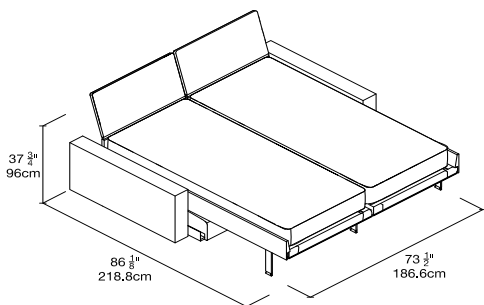
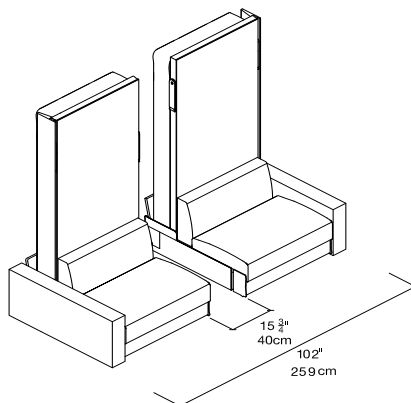
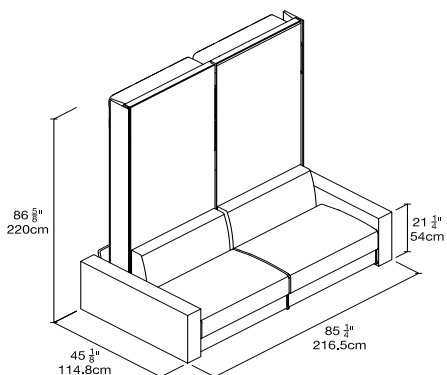
- With folding mechanisms for functionally related components of the system, models may undergo imperceptible vibrations or minimum movements which can be avoided by anchoring the transforming system to the support against which it is installed.
- When the transforming system is included in compositions with cabinets, wardrobes, storage elements and bookshelves, these elements must be anchored to the wall, with anchors independent from those of the transforming system.
- If the product needs to be re-assembled, the holes drilled for the first assembly must not be re-used.

**The installer must therefore change the positioning of the brackets and wall plugs he has chosen and used.**

**CLEI DECLINES ANY RESPONSIBILITY DERIVING FROM THE NON OBSERVANCE OF THIS PROVISION.**

# Ella & Louis

## SPECS



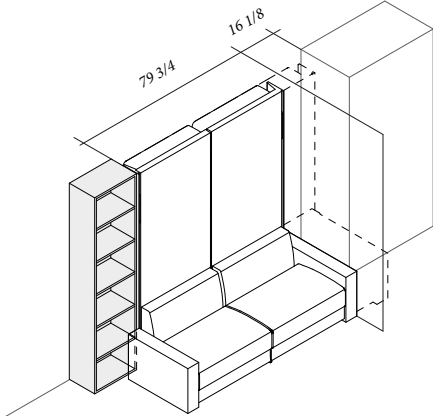
Components available in a wide variety of VOC-free matte lacquers, melamine finishes, wood veneer finishes, fabrics, and leathers.

Bed base locking device used to tether twin beds together when open. Four exclusive mattress options.

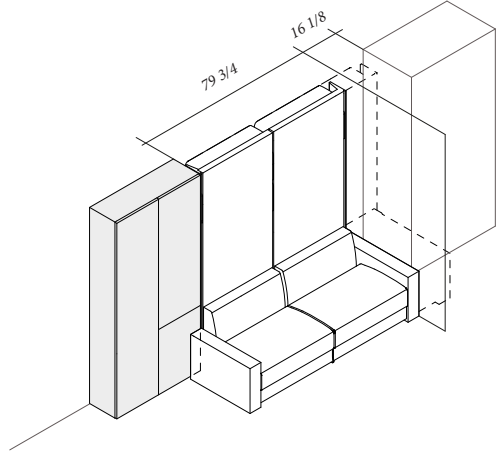
Interior LED lighting.

# Possible additions

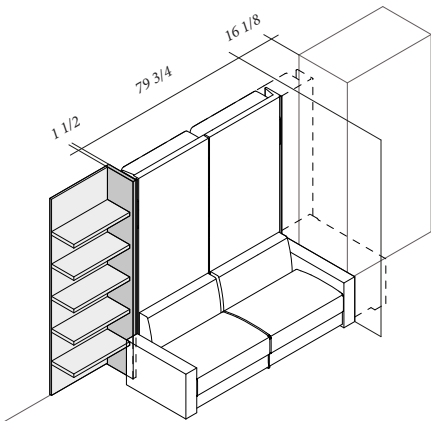
Cabinets



Attached cabinet on the fixed side of the bed



boiserie standard



# GENERAL TECHNICAL INFORMATION

Ella & Louis is a self-supporting transforming system with foldaway double bed and integrated sofa which, when opened, can be divided with a sliding movement into two single beds that can be separated from one another.

One of the two beds remains fixed while the other slides sideways. The double bed is turned into two single beds with reclining padded headboards, just as the sofa becomes two armchairs by sliding them on a rail running along the floor and anchored to the wall. The system is equipped with a release device to divide the two beds and with a control to adjust height differences.

Opening the bed, the seat of the sofa automatically moves forward and the backrests fold away.

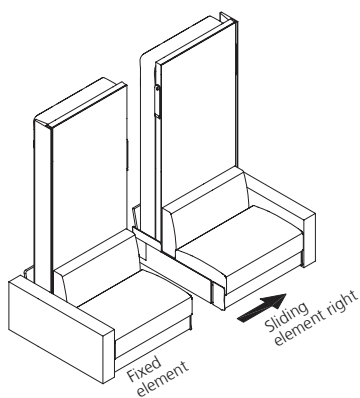
The system can be completed, on the fixed side part, with modular elements from the Living & Young System, replacing the standard 1135 mm deep armrest with a shorter 785 mm deep armrest.

For compositions with boiserie, it is required to add the 40mm thick side panel, to be connected to the boiserie wall panel.

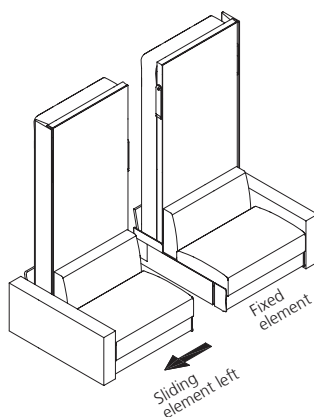
## SLIDING SYSTEM

RHF or LHF element

The sliding direction decides the version



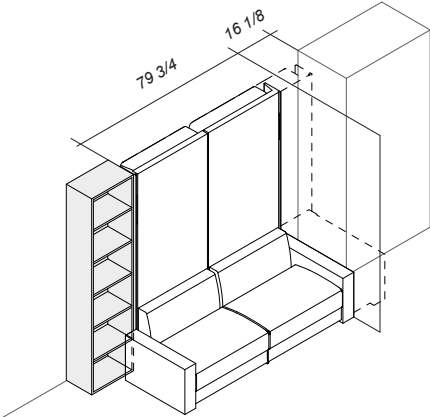
Right version



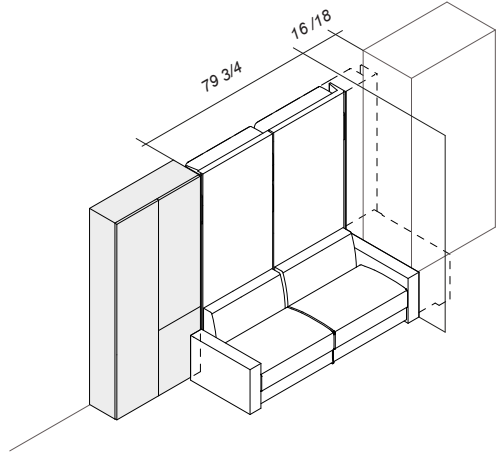
Left version

## EXAMPLES OF COMPOSITIONS

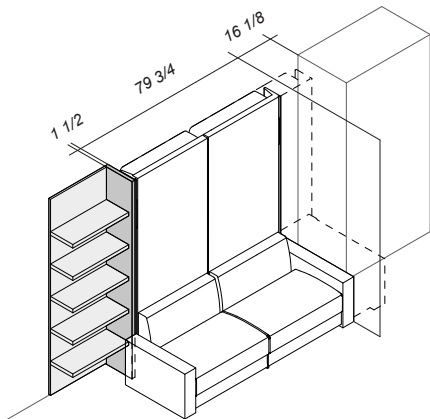
cabinets / open elements

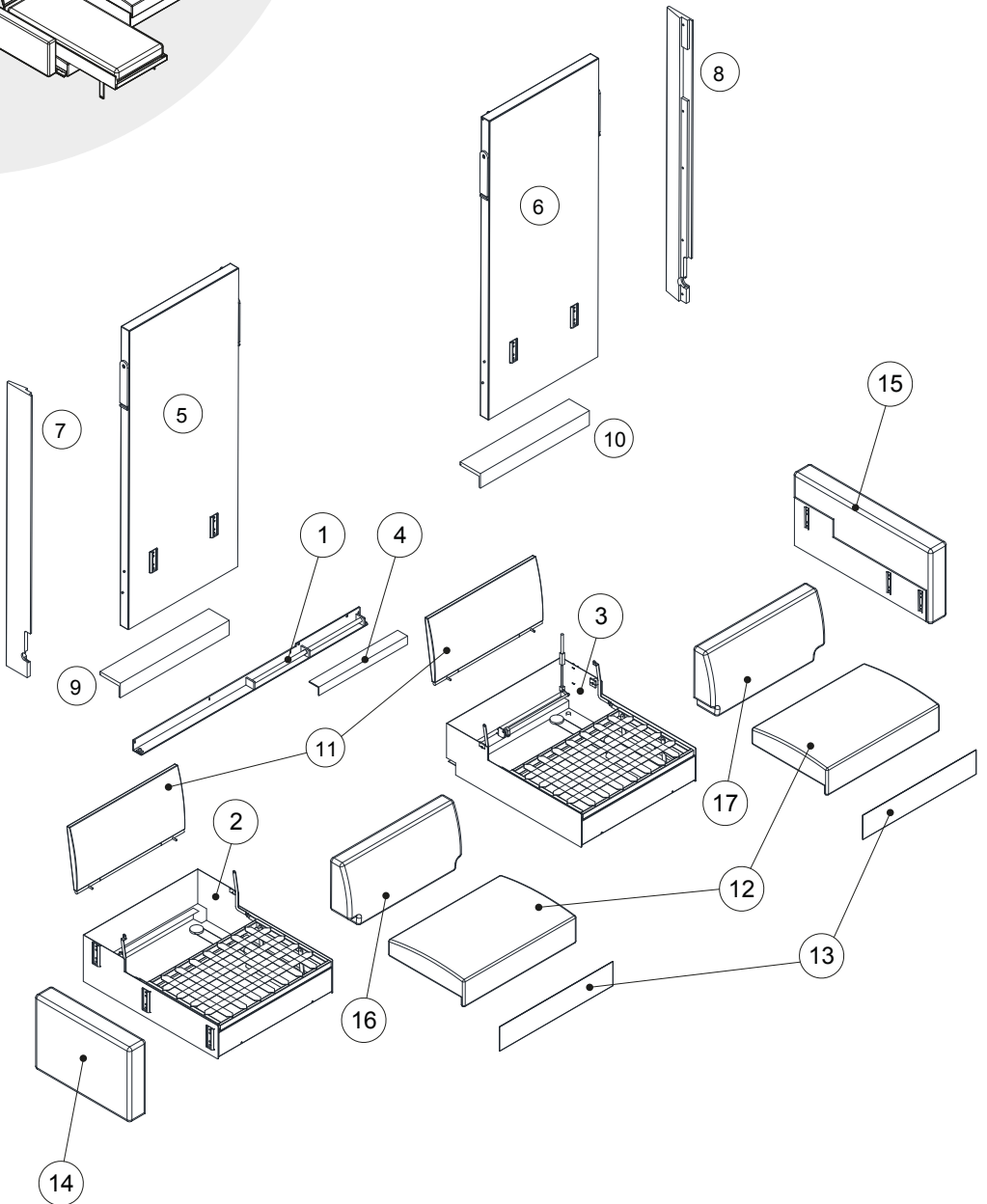
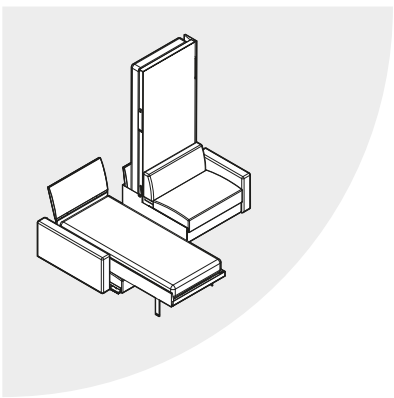


cabinets with fixed lower door



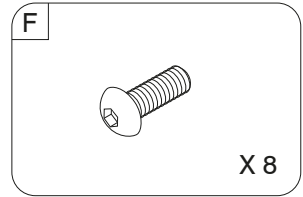
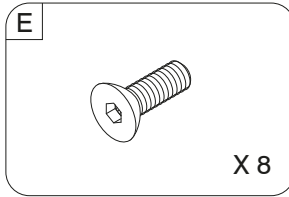
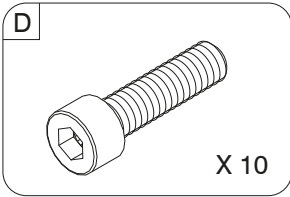
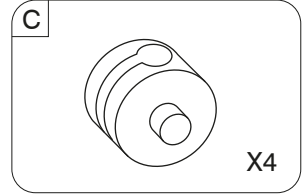
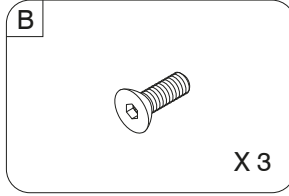
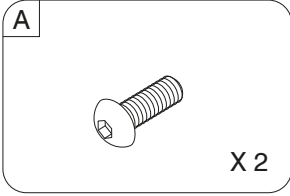
boiserie



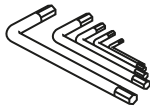




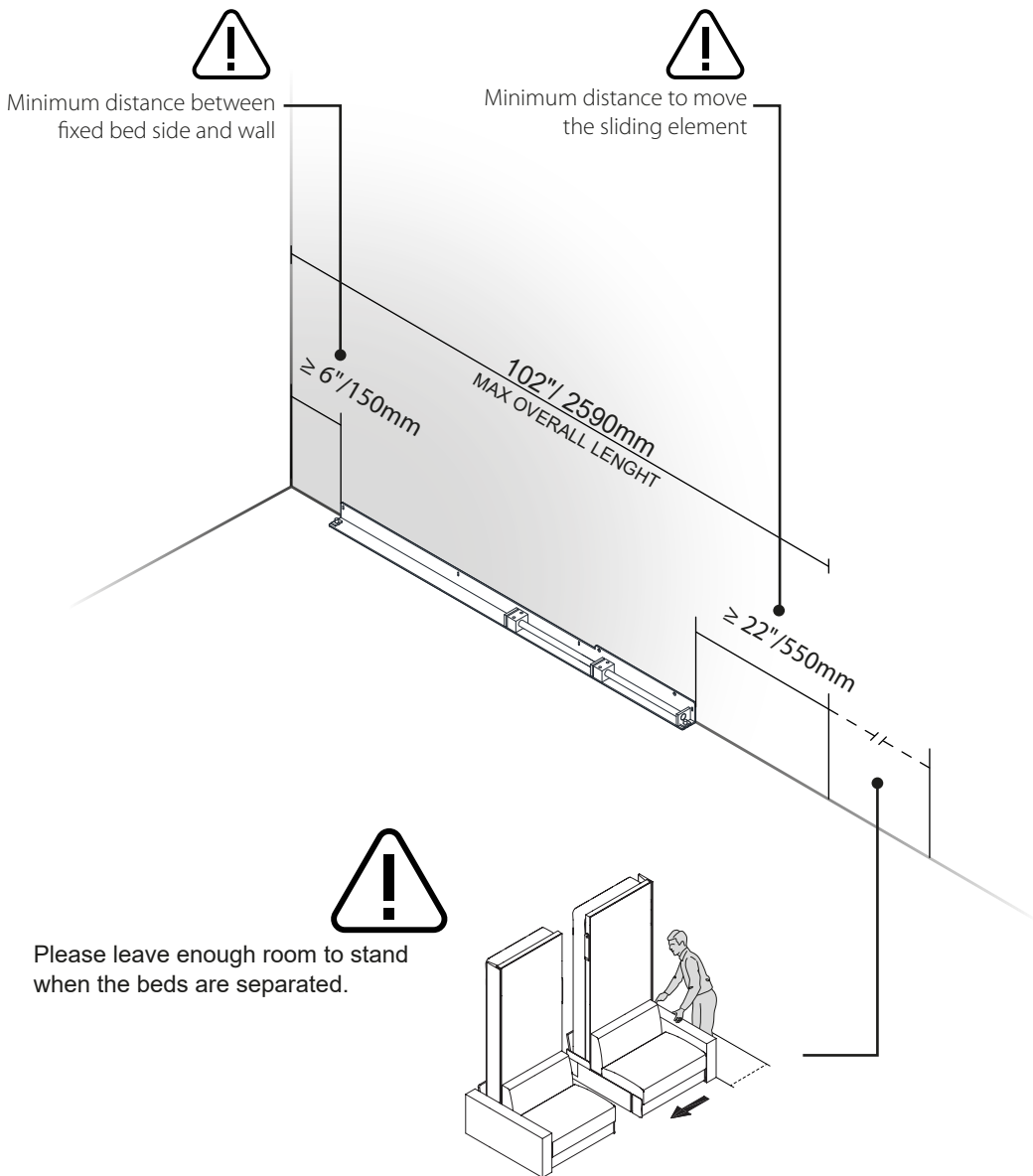
## HARDWARE



## TOOLS

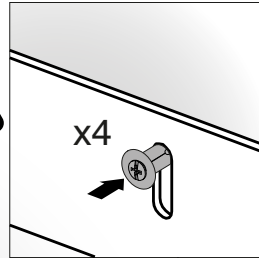


It is recommended to anchor the metal rail into the wall, to get more stability while opening and closing the bed.

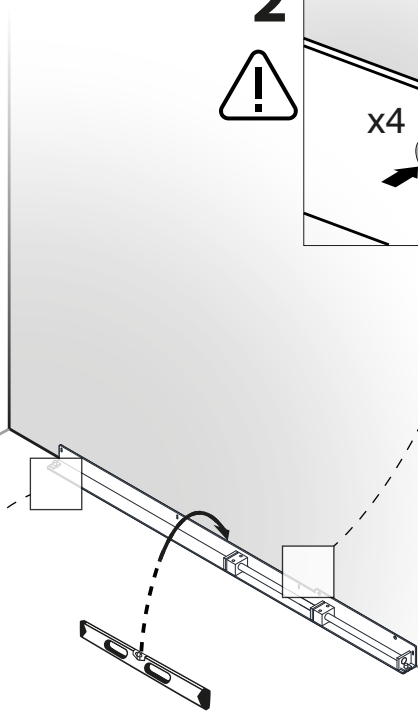


Wall anchors are not included.

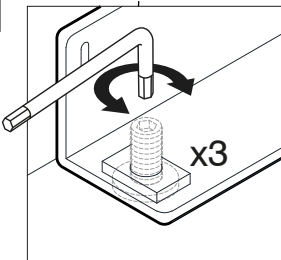
**2**



x4

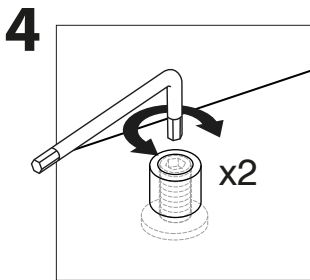
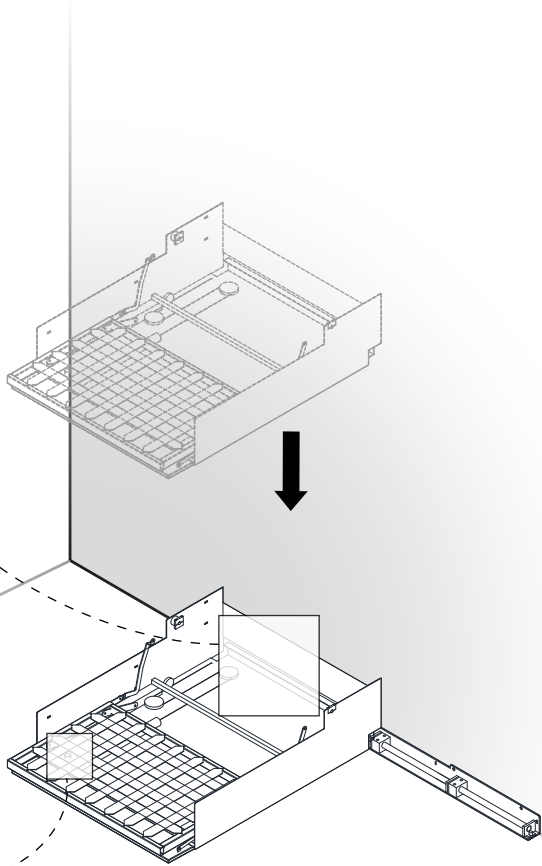
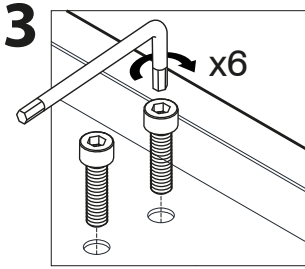


**1**

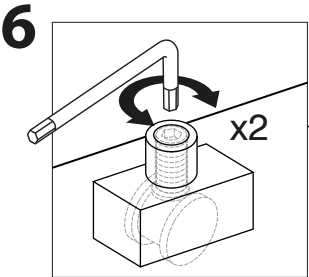
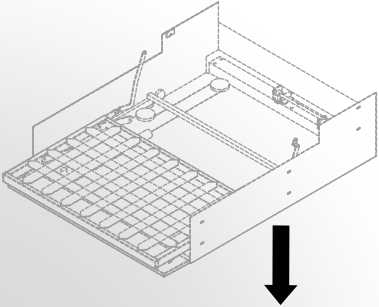
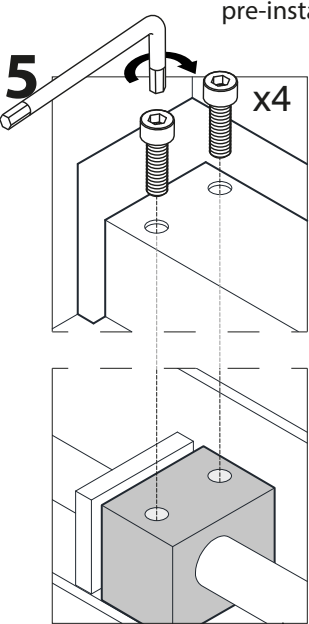


x3

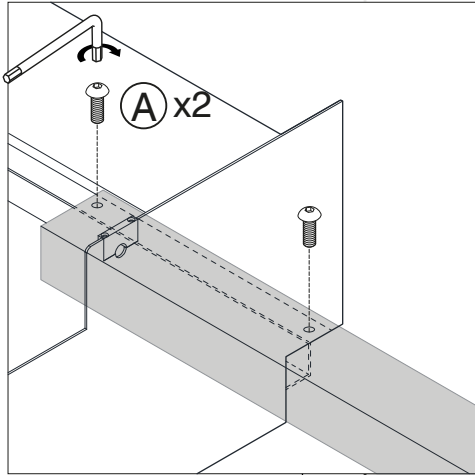
FIXED SIDE  
pre-positioned screws



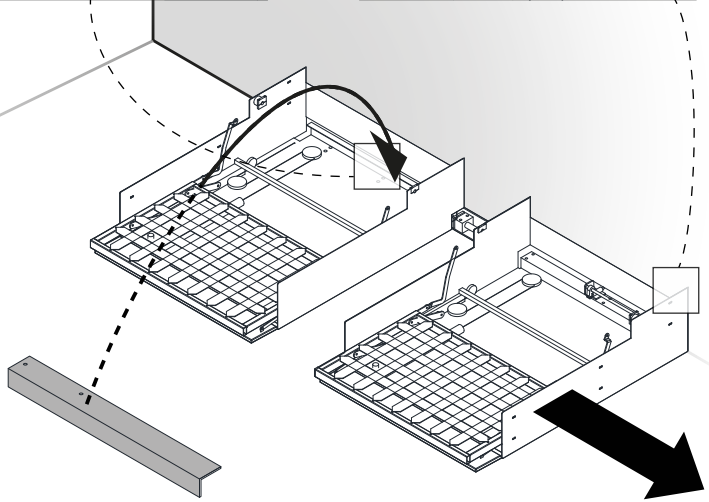
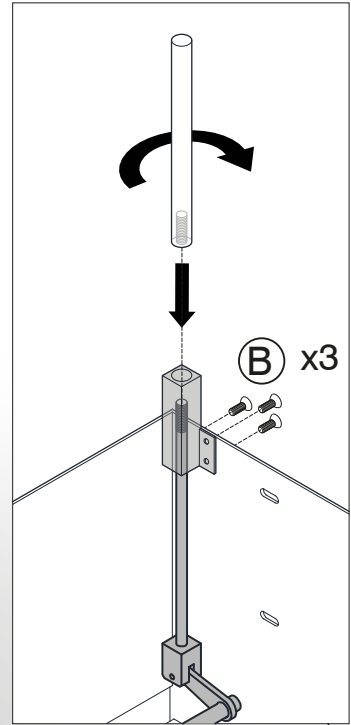
# SLIDING SIDE



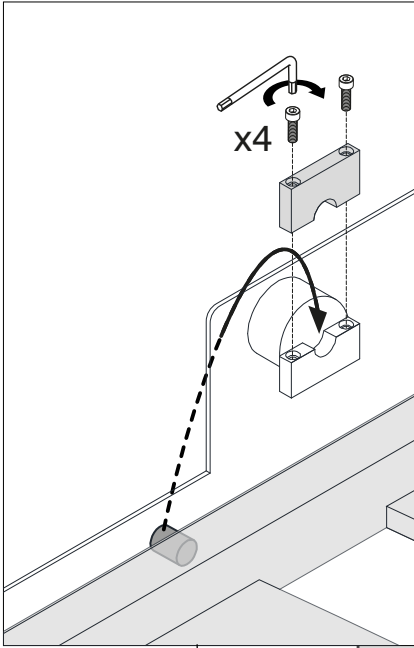
7



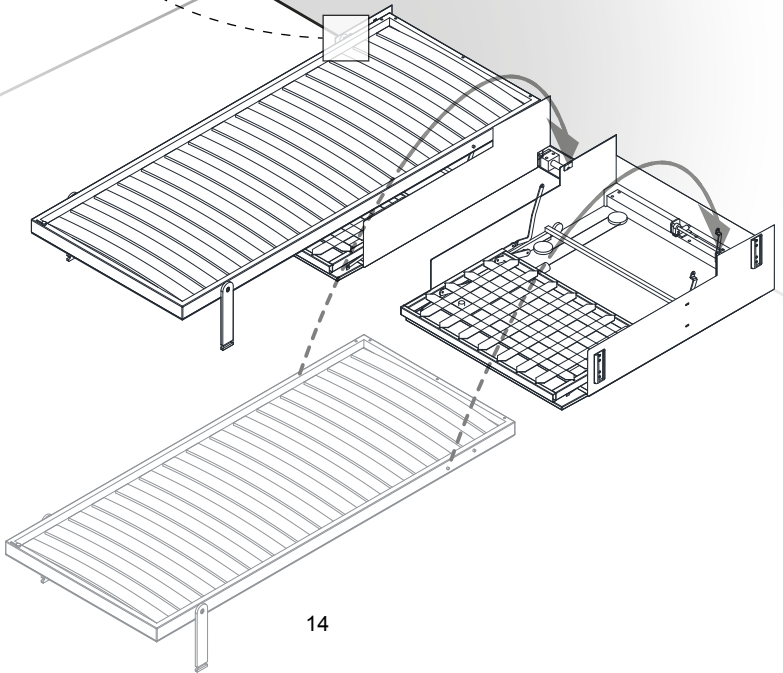
8



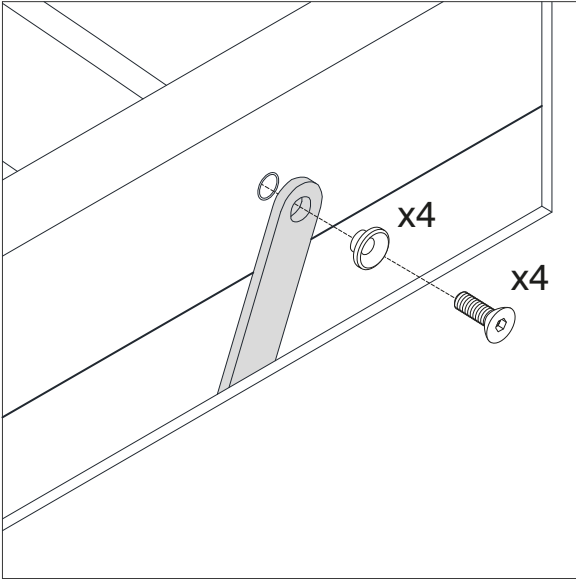
9



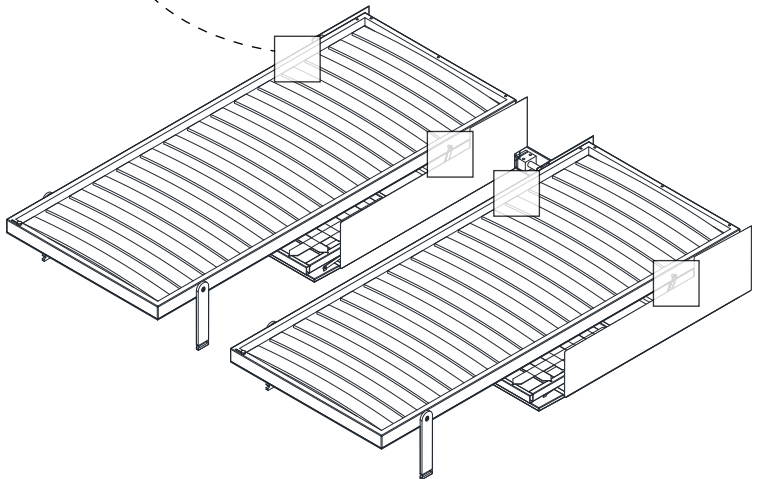
pre-installed screws



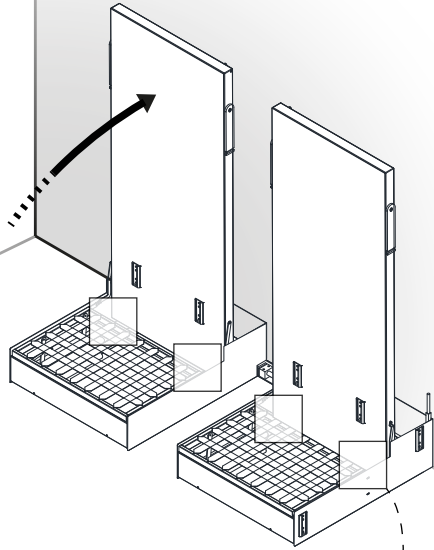
10



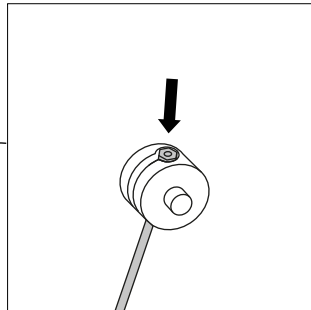
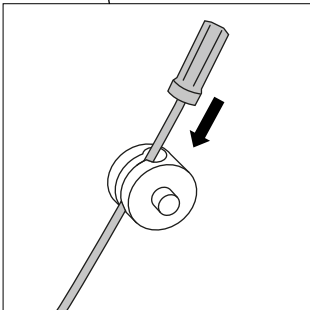
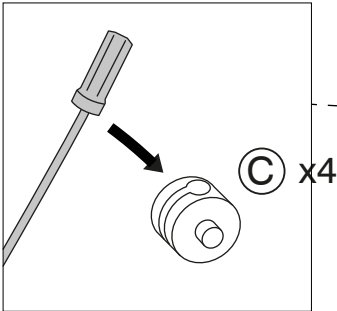
pre-installed screws

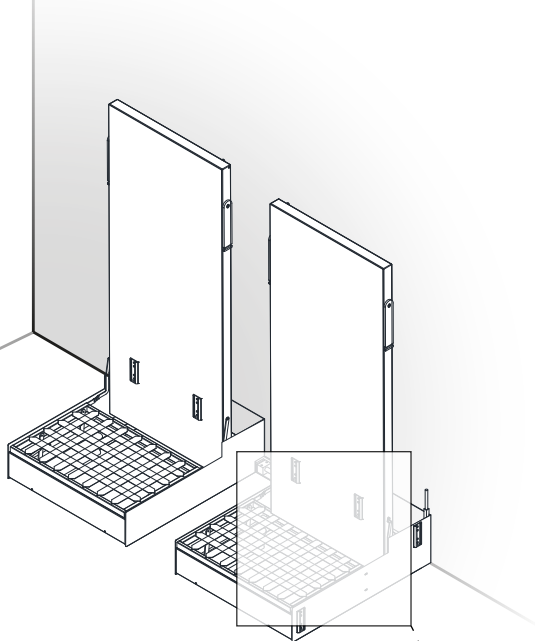






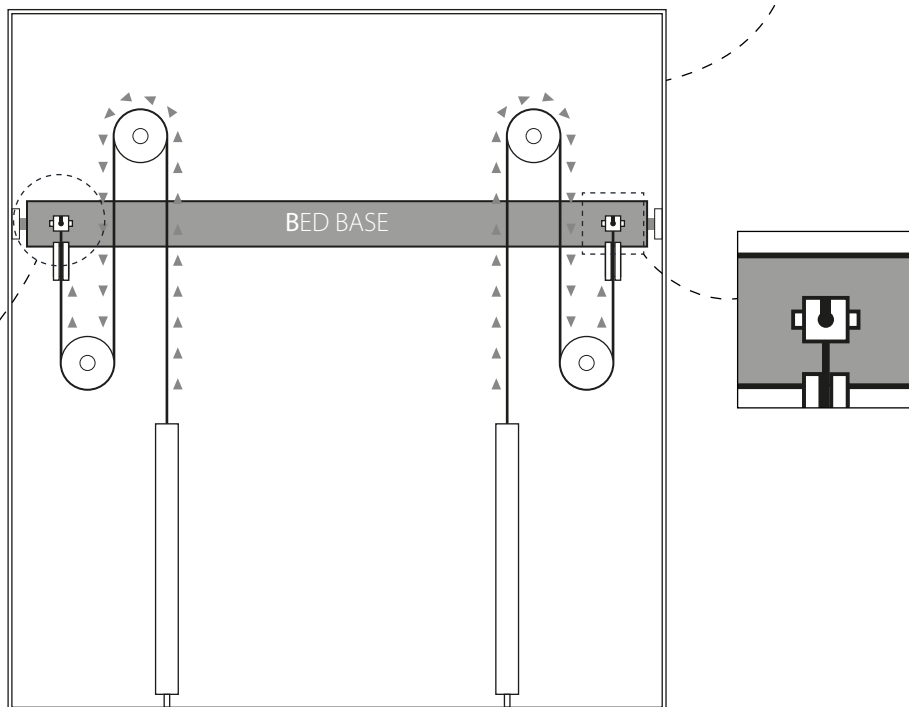
**11**



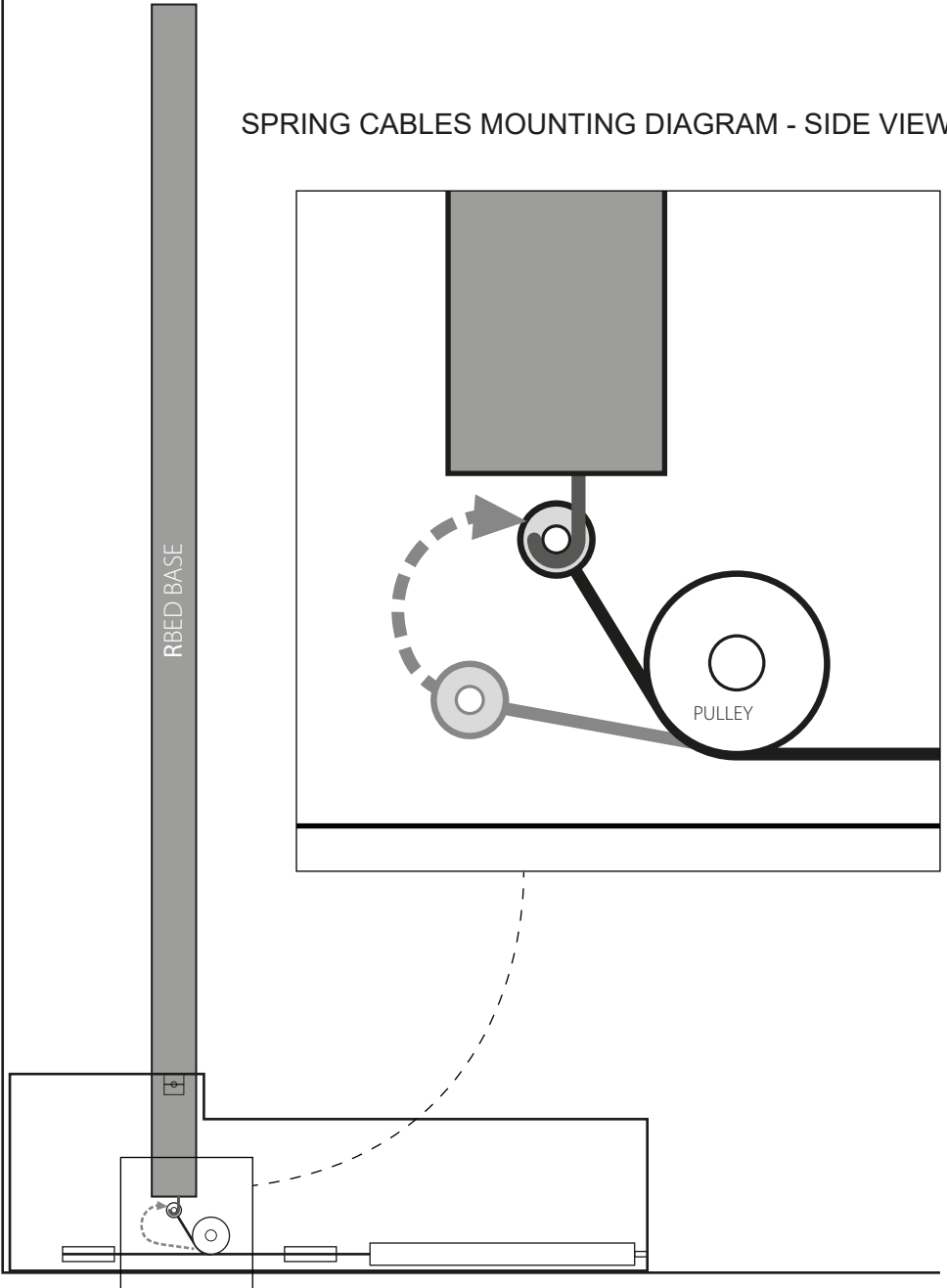


SPRING CABLES MOUNTING DIAGRAM - TOP VIEW

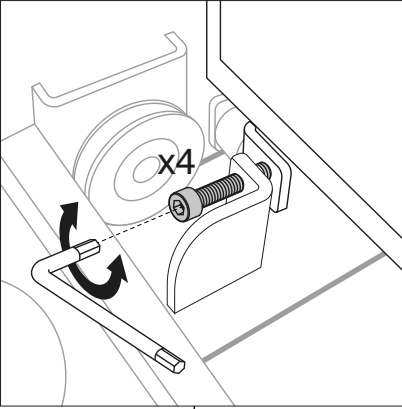
12



# SPRING CABLES MOUNTING DIAGRAM - SIDE VIEW

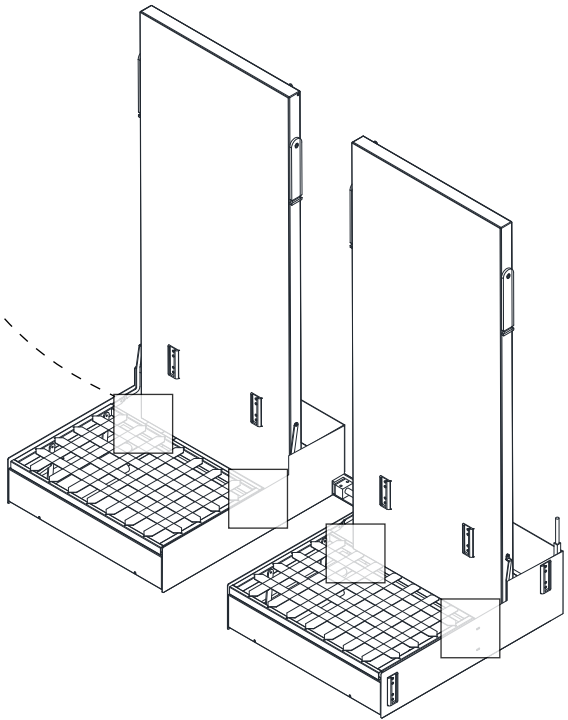


13



pre-installed screws

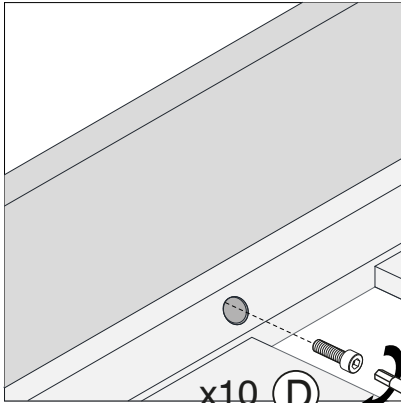
THE END-OF-STROKE ADJUSTMENT



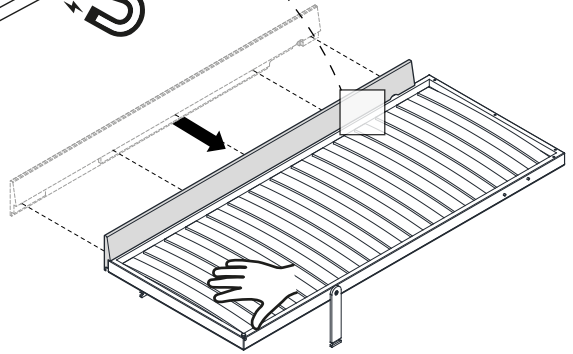
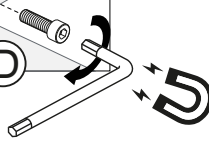
# 14



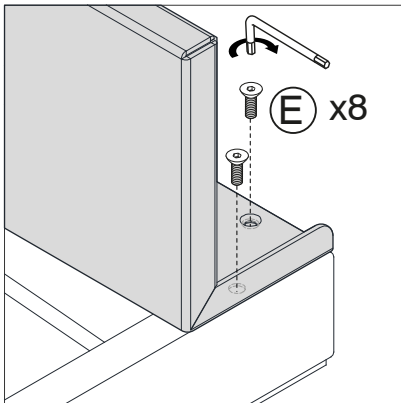
Use an Allen key with magnetic tip to avoid losing the bolt inside the frame of the bed base.



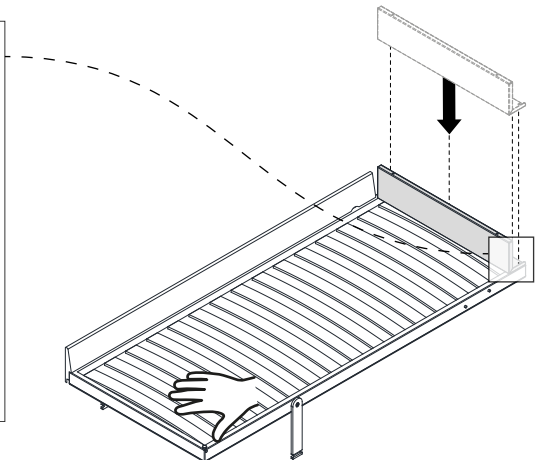
x10 (D)



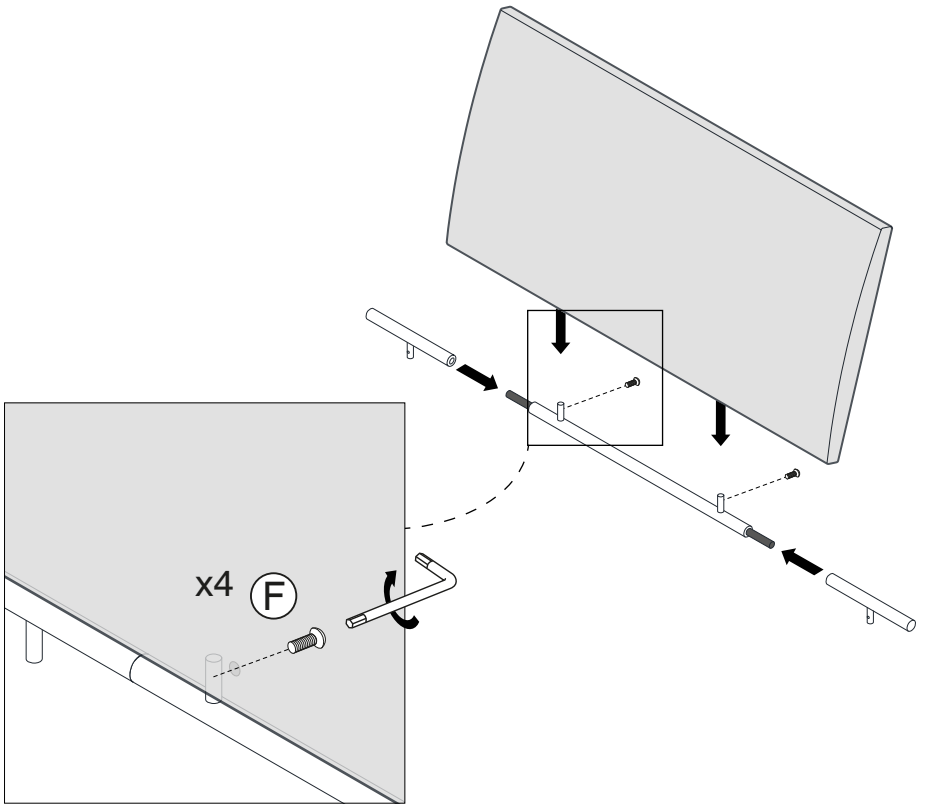
# 15



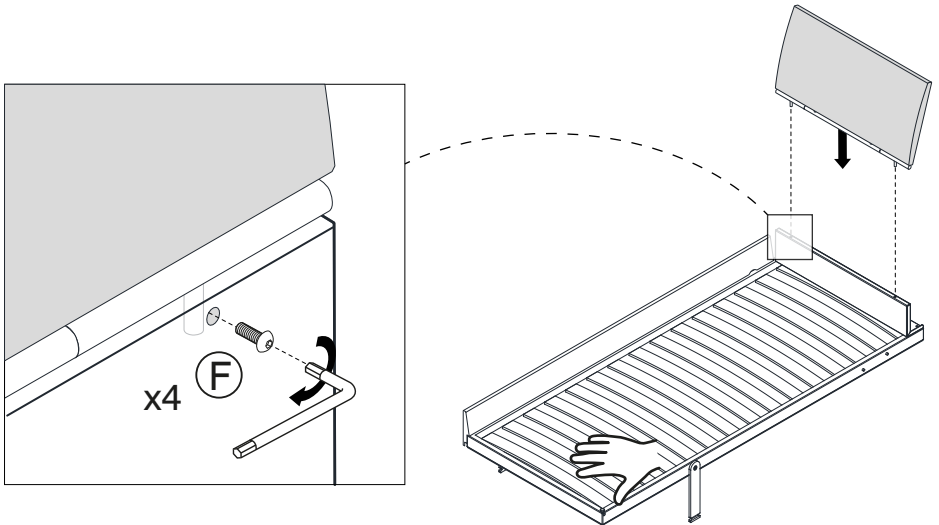
x8 (E)



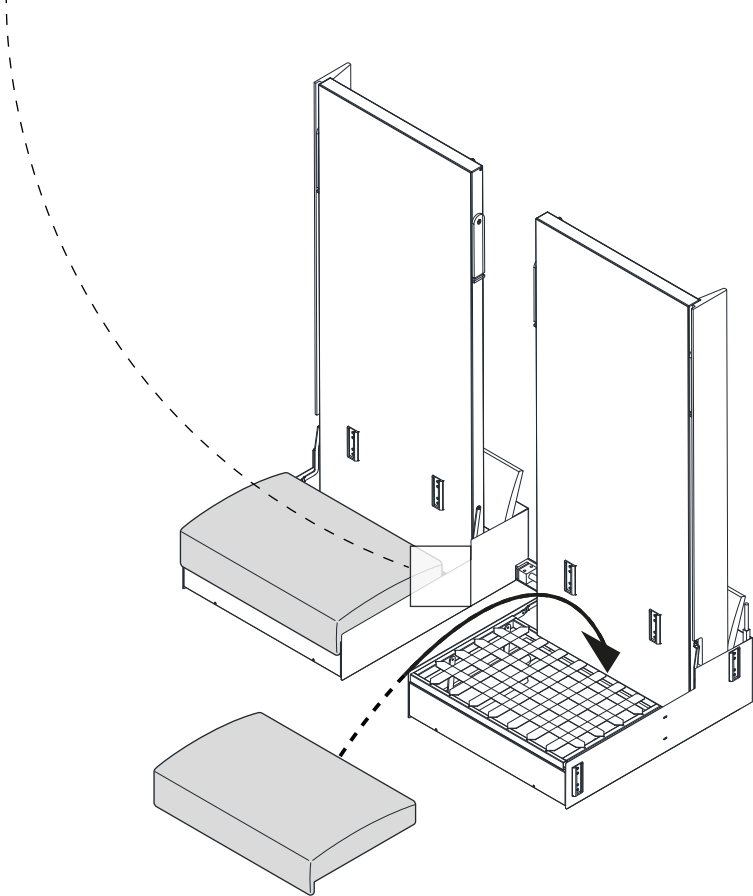
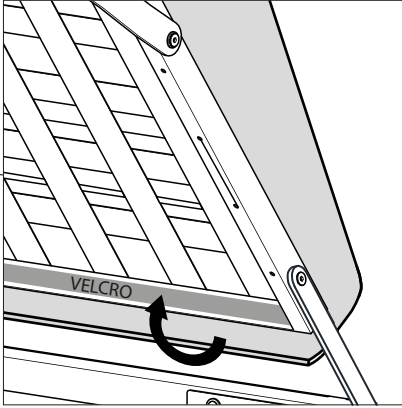
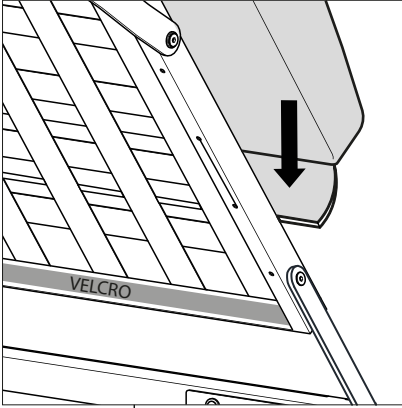
16



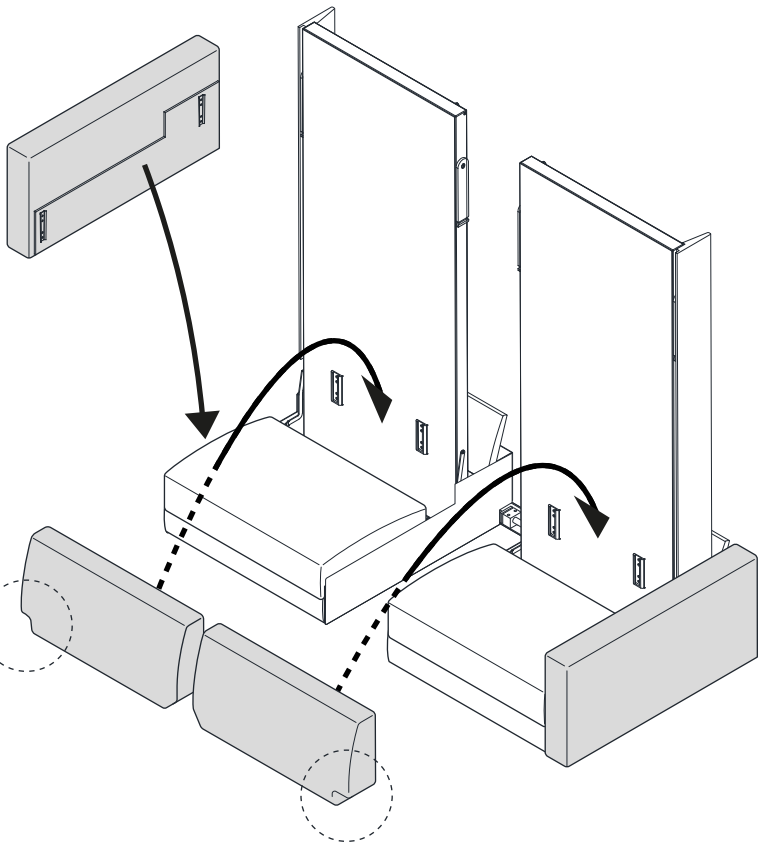
17



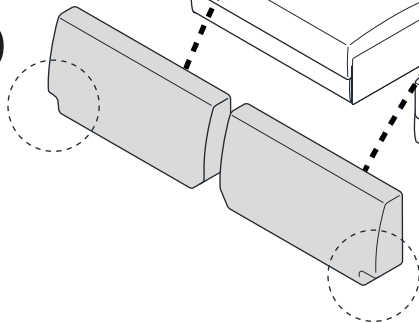
18



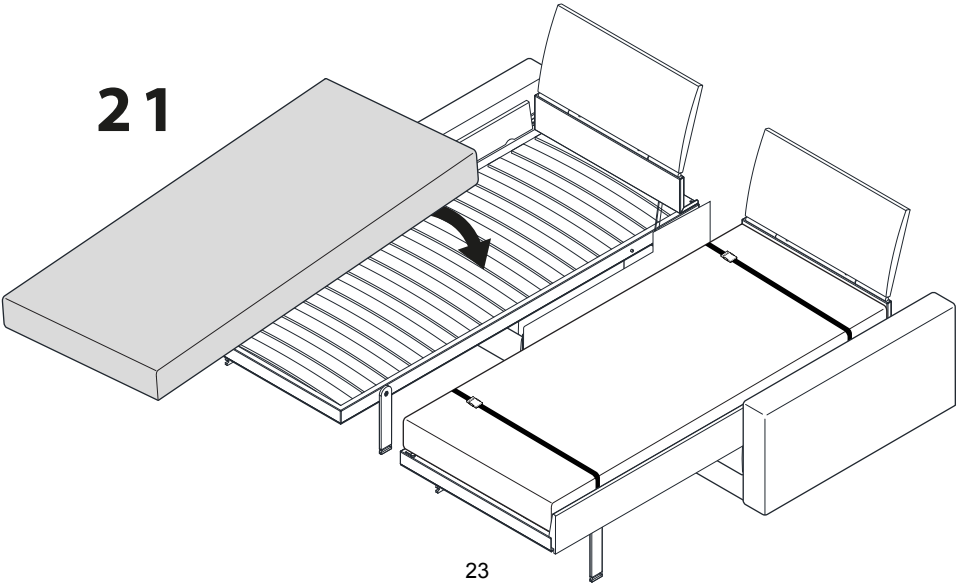
**19**



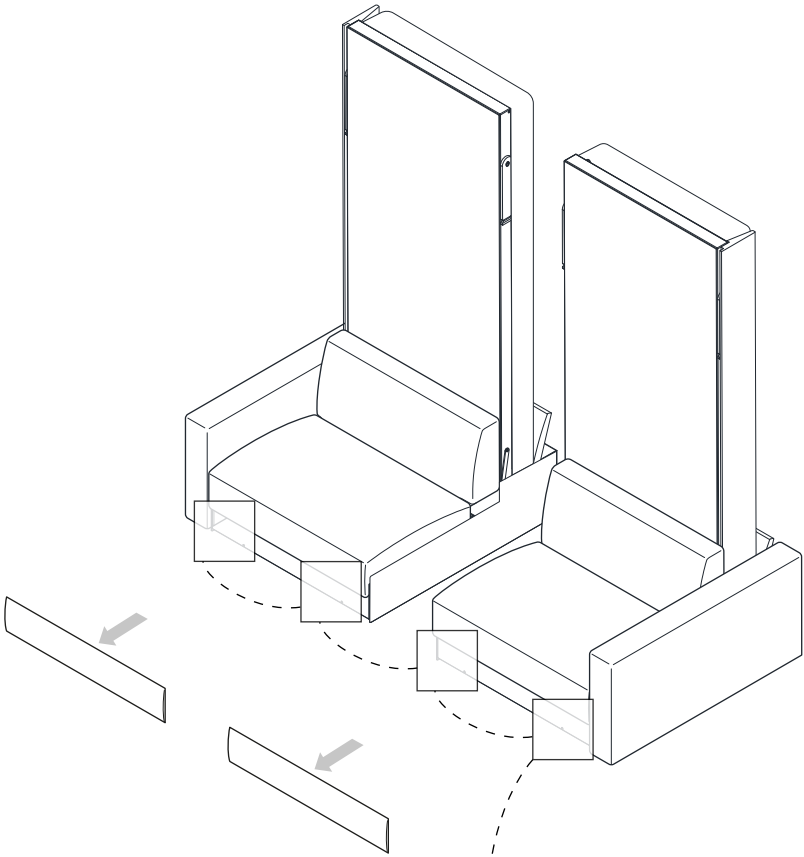
**20**



**21**

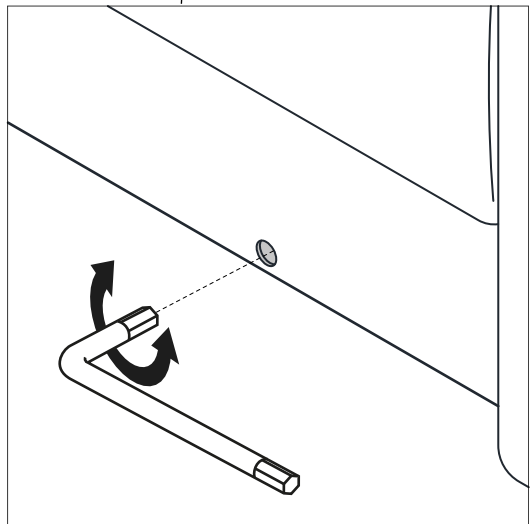


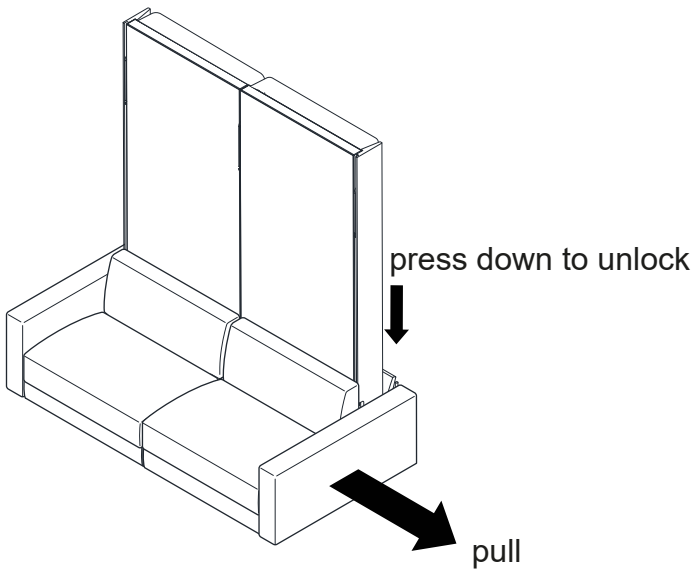
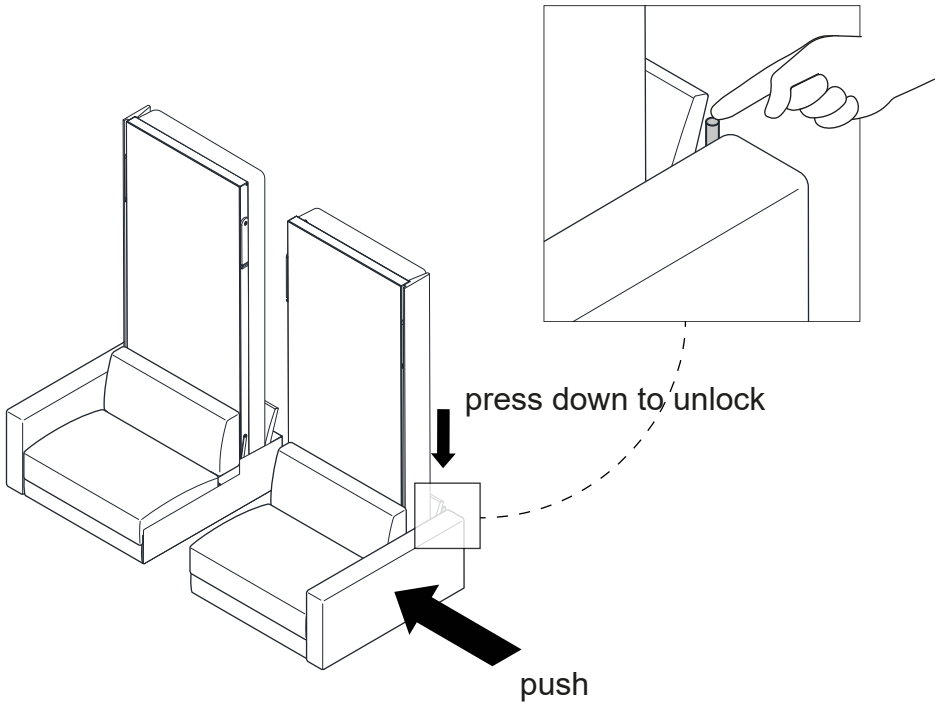


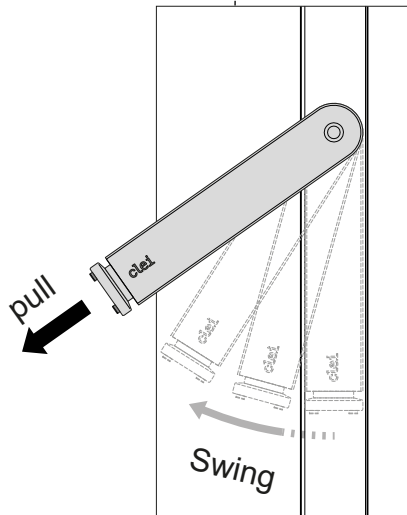
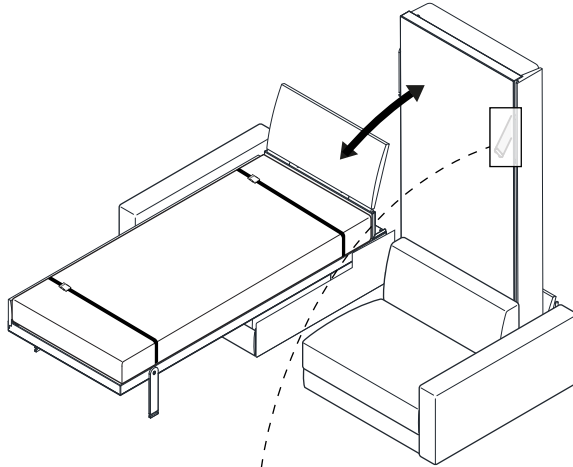


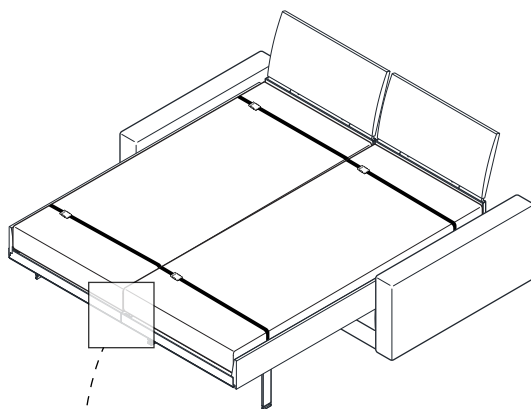
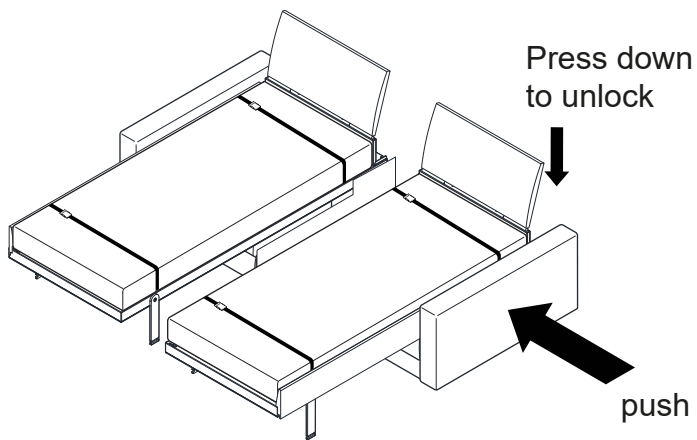
**22**

SPRING ADJUSTMENTS

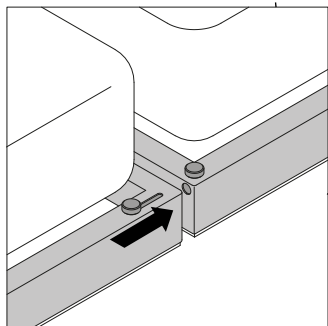








Merge



Seperate

