

# Penelope 2 Book

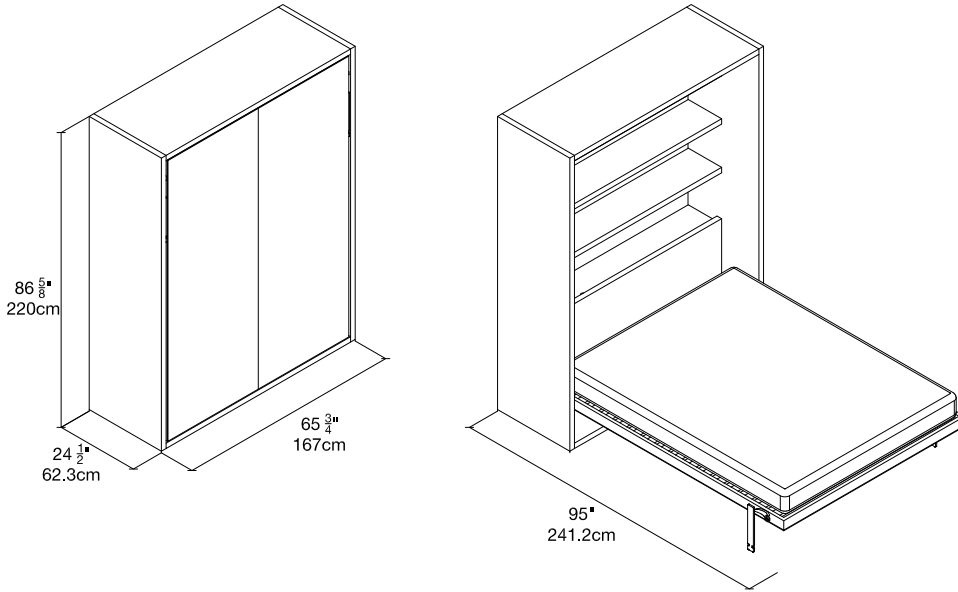
Queen Vertical Wall Bed



# Penelope 2 Book

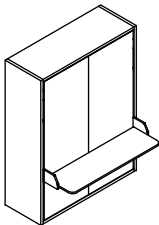
Vancouver  
Mexico City  
Toronto  
Calgary  
San Francisco  
Washington, D.C.  
New York  
Los Angeles

## SPECS

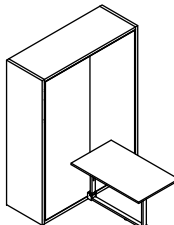


## ALSO AVAILABLE

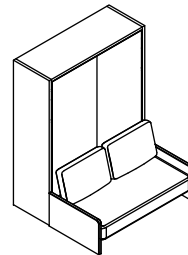
Penelope 2 Book Board



Penelope 2 Book Dining



Penelope 2 Book Sofa



## FINISHES / OPTIONS

Available in motorized version.  
Components available in a wide variety of VOC-free matte lacquers,  
melamine finishes and wood veneer finishes.  
Four exclusive mattress options.  
Interior LED lighting.

resource