

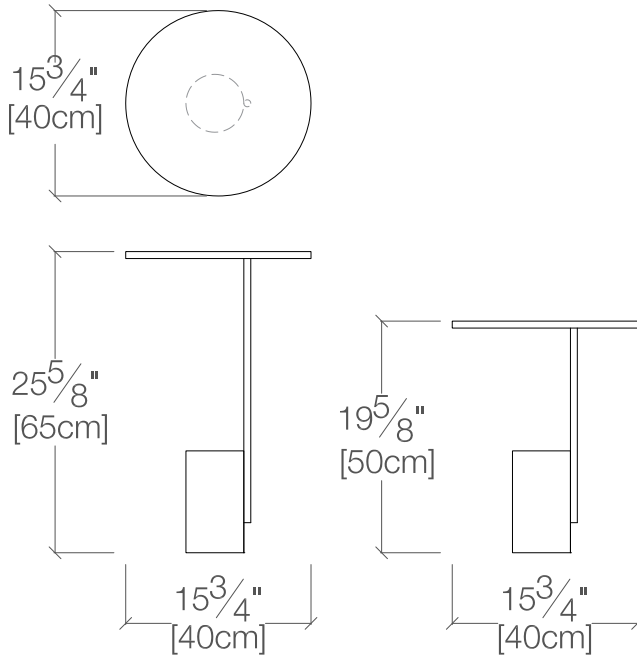
Xaxa

Side Table



Xaxa

SPECS



FINISHES

Top: High Pressured Laminate (HPL) in White only with black banded edge.
Base: White Carrara marble or Black Marquina or Cement.
Stem: White or Black painted or Gold finish.

New York
Los Angeles

San Francisco
Washington, D.C.

Toronto
Calgary

Vancouver
Mexico City

resource